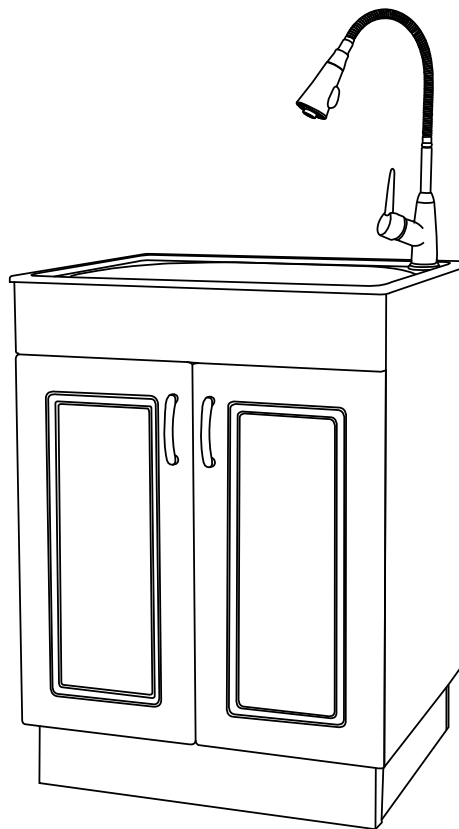


USE AND CARE GUIDE MANUAL DEL USUARIO

**ALL-IN-ONE LAUNDRY CABINET WITH SINK AND FAUCET
GABINETE CON FREGADERO Y GRIFO TODO EN UNO**



Questions, problems, missing parts?

Before returning to the store, call Glacier Bay Customer Service

8:00 am - 7:00 pm, EST, Monday - Friday, 9:00 am - 6:00 pm, EST, Saturday

Preguntas, problemas, piezas faltantes?

Antes de devolver el producto a la tienda, llame al Servicio al cliente de Glacier Bay

8 a 19 horas, hora del este, lunes a viernes, 9:00 a.m. - 6:00 p.m., hora del este, sábado

**1-855-HD-GLACIER
HOMEDEPOT.COM**

THANK YOU

We appreciate the trust and confidence you have placed in Glacier Bay through the purchase of this laundry cabinet. We strive to continually create quality products designed to enhance your home. Visit us online to see our full line of products available for your home improvement needs. Thank you for choosing Glacier Bay!

Table of Contents

Table of Contents	2	Installing the Door Handles	7
Safety Information	2	Adjusting the Door Position	8
Warranty	3	Mounting the Sink	8
Lifetime Limited Warranty	3	Placing the Cabinet	9
Warranty Claim Procedure	3	Supply Line Assembly	9
Pre-Installation	4	Maintenance	9
Tools/Materials Required	4	Cartridge Replacement	9
Package Contents	5	Care and Cleaning	10
Installation	6	Sink	10
Installing the Faucet Assembly	6	Cabinet	10
Installing the Strainer	6	Service Parts	11
Installing the Base	7	MANUAL DEL USARIO	12

Safety Information

READ AND SAVE THESE INSTRUCTIONS

- Inspect your unit before proceeding. Once you unpack your unit, check for chips, scratches, cracks, dents or scuff marks. If any damage is noticed, do not install.
- Use this unit only in the manner intended by the manufacturer. If you have any questions, contact the manufacturer.
- Installation work and plumbing must be done by qualified person(s) in accordance with all applicable codes and standards.
- Protect the entire surface during installation.
- All holes drilled into the unit must be done from the finished surface side with extreme care and caulked very carefully to form a watertight barrier.



DANGER: Always wear safety goggles and gloves in order to avoid personal injury.

MANUFACTURER'S REQUIRED MINNESOTA DISCLOSURE. IMPORTANT HEALTH NOTICE:

SOME OF THE BUILDING MATERIALS USED IN THIS HOME (OR THESE BUILDING MATERIALS) EMIT FORMALDEHYDE. EYE, NOSE, AND THROAT IRRITATION, HEADACHE, NAUSEA AND A VARIETY OF ASTHMA-LIKE SYMPTOMS, INCLUDING SHORTNESS OF BREATH, HAVE BEEN REPORTED AS A RESULT OF FORMALDEHYDE EXPOSURE. ELDERLY PERSONS AND YOUNG CHILDREN, AS WELL AS ANYONE WITH A HISTORY OF ASTHMA, ALLERGIES, OR LUNG PROBLEMS, MAY BE AT GREATER RISK. RESEARCH IS CONTINUING ON THE POSSIBLE LONG-TERM EFFECTS OF EXPOSURE TO FORMALDEHYDE.

REDUCED VENTILATION MAY ALLOW FORMALDEHYDE AND OTHER CONTAMINANTS TO ACCUMULATE IN THE INDOOR AIR. HIGH INDOOR TEMPERATURES AND HUMIDITY RAISE FORMALDEHYDE LEVELS. WHEN A HOME IS TO BE LOCATED IN AREAS SUBJECT TO EXTREME SUMMER TEMPERATURES, AN AIR-CONDITIONING SYSTEM CAN BE USED TO CONTROL INDOOR TEMPERATURE LEVELS. OTHER MEANS OF CONTROLLED MECHANICAL VENTILATION CAN BE USED TO REDUCE LEVELS OF FORMALDEHYDE AND OTHER INDOOR AIR CONTAMINANTS.

IF YOU HAVE ANY QUESTIONS REGARDING THE HEALTH EFFECTS OF FORMALDEHYDE, CONSULT YOUR DOCTOR OR LOCAL HEALTH DEPARTMENT.

Warranty

LIFETIME LIMITED WARRANTY

A thorough inspection must be made before installation and any damage must be promptly reported. We will not be liable for failures or damage that could have been discovered or avoided by proper inspection and testing prior to installation.

We warrant this product to be free from defects in materials or workmanship for as long as the original consumer purchaser owns this product. Proof of purchase (original sales receipt) from the original consumer purchaser must be made available to us for all warranty claims.

This warranty is non-transferable and shall be voided if the unit is removed from its initial installation or if it is not installed following the manufacturer's instructions. It does not apply in the event of product damage due to the use of other than our genuine replacement parts, (Replacement parts may be obtained by calling 1-855-HD-GLACIER, 8:00 am - 7:00 pm, EST, Monday – Friday, 9:00 am - 6:00 pm, EST, Saturday) installation error, abuse, misuse or improper care and maintenance (whether performed by a plumber, contractor, service provider or member of the purchaser's household). The warranty excludes damage due to aggressive air or water conditions, harsh or abrasive cleaners and/or materials.

Under no circumstance shall we be held liable for personal injury or property damage resulting from improper installation or use of this product. We will not be held liable for inconvenience caused by loss of use of this product, costs incurred for labour or materials, removal and installation of replacement units, or any other incidental or consequential damages. Costs relating to obtaining access for repair or replacement are the responsibility of the user.

Our obligation shall be limited to the repair or replacement of a unit (at our discretion) that may prove, by our sole examination, to be defective under normal use and service during the warranty period.

Any failure of this product that is not traceable to a defect in material or workmanship is not covered by this warranty. These non-warrantable items include, but are not limited to:

- Improper installation not in accordance with manufacturer's instructions.
- Dents and/or scratches incurred during shipping, handling, or installation.
- Change in colour or finish due to chemical usage.
- Damage caused by failure to follow care and cleaning guidelines, including damage caused by the use of abrasive cleaners.
- Alterations made to the unit by the purchaser or installer.
- Damage caused by accidental impact, fire, flood, freezing, and normal wear.
- Bends and warping caused by forced connections, over-tightened fittings, and inadequate support during installation.

This warranty does not extend to commercial and institutional installation or use.

WARRANTY CLAIM PROCEDURE

If a claimable defect occurs or replacement parts are needed, please contact our customer service team at 1-855-HD-GLACIER (8:00 am - 7:00 pm, EST, Monday – Friday, 9:00 am - 6:00 pm, EST, Saturday). Before you make your call, please ensure that you have:

- Model number or description.
- Proof of sale.
- Details regarding the defect and/or part number.
- Name(s) and address(es) of the owner and/or installer

Pre-Installation

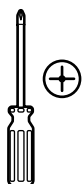
TOOLS/MATERIALS REQUIRED (NOT SUPPLIED)



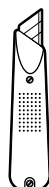
Adjustable wrench



Needle nose pliers



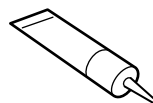
Phillips screwdriver



Utility knife



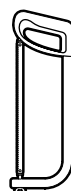
Pipe wrench



Sealant



Carpenter's level



Hacksaw



Safety gloves



Safety goggles

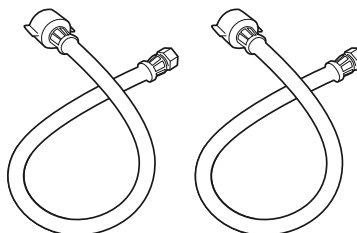
PARTS REQUIRED (NOT SUPPLIED)



Tail Pipe



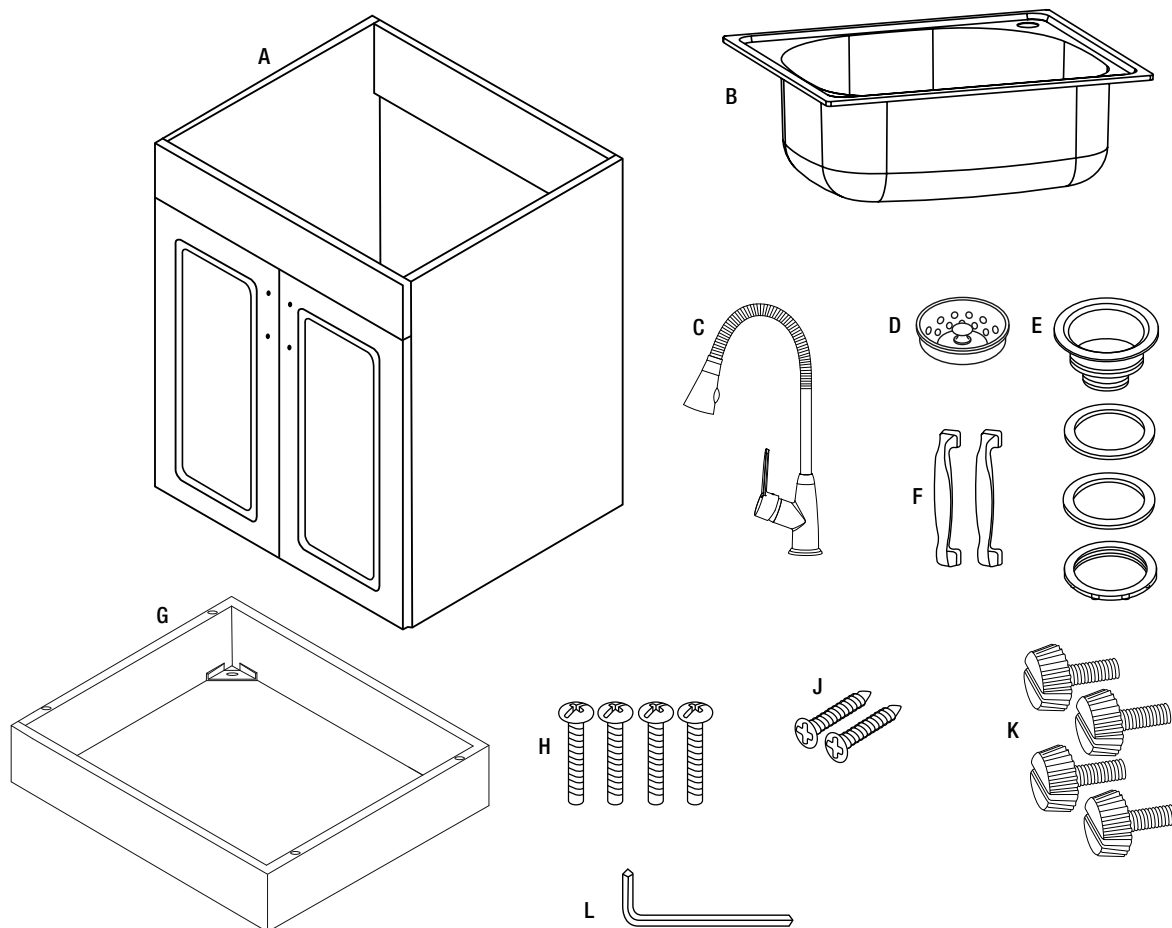
P-Trap



Supply lines

Pre-Installation (continued)

PACKAGE CONTENTS

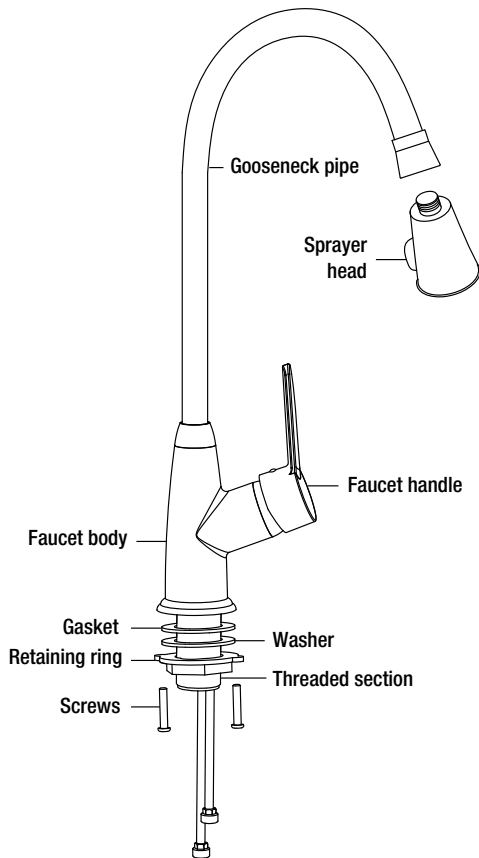


Part	Description	Quantity
A	Cabinet	1
B	Sink	1
C	Faucet	1
D	Strainer Basket	1
E	Strainer Assembly	1
F	Door Handles	2
G	Cabinet Base	1
H	Door Handle Screws	4
J	Cabinet Base Screws	2
K	Cabinet Feet	4
L	Hex Wrench	1

Installation

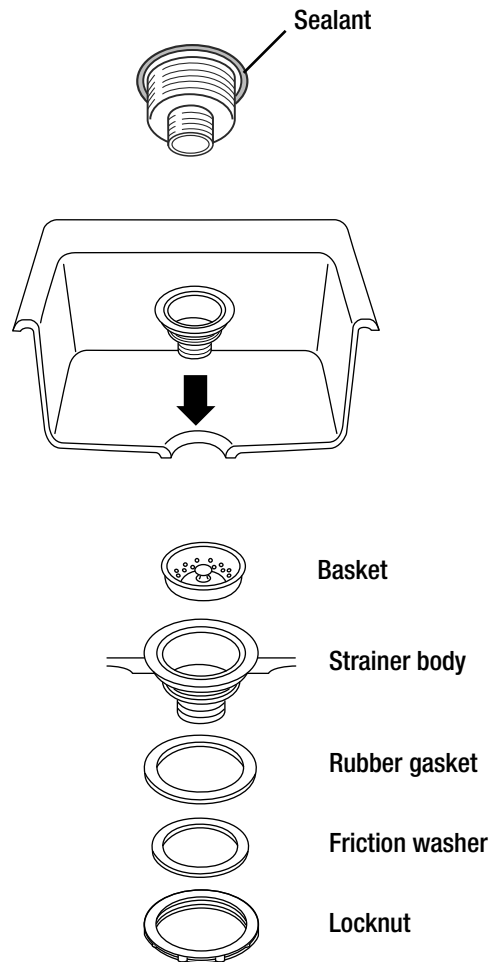
1 Installing the Faucet Assembly

- Carefully take out all the parts of the faucet assembly (C). The faucet is pre-assembled, except for the sprayer head.
- Take the washer, gasket and retaining ring off of the faucet body.
- Place the faucet body carefully through the hole in the sink (B). A second person may be required to hold the body in place until the faucet installation is complete.
- From underneath, slide the washer, gasket and retaining ring over the end of the copper pipe and up to the exposed threaded section of the faucet. Tighten the retaining ring by hand until it is snug. Using a wrench or pliers, tighten the assembly.
- Gently tighten the two screws on the retaining ring. Do not over tighten.
- Screw the sprayer head onto the gooseneck pipe.
- Connect the water supply lines (not supplied) to the faucet.



2 Installing the Strainer

- Apply a ring of sealant to the underside of the strainer flange.
- Insert the strainer body into the sink.
- Assemble the rubber gasket, friction washer and locknut onto the strainer body from under the sink.
- Hand tighten the locknut. Do not over tighten the locknut as it may split or deform the strainer body.



Installation (continued)

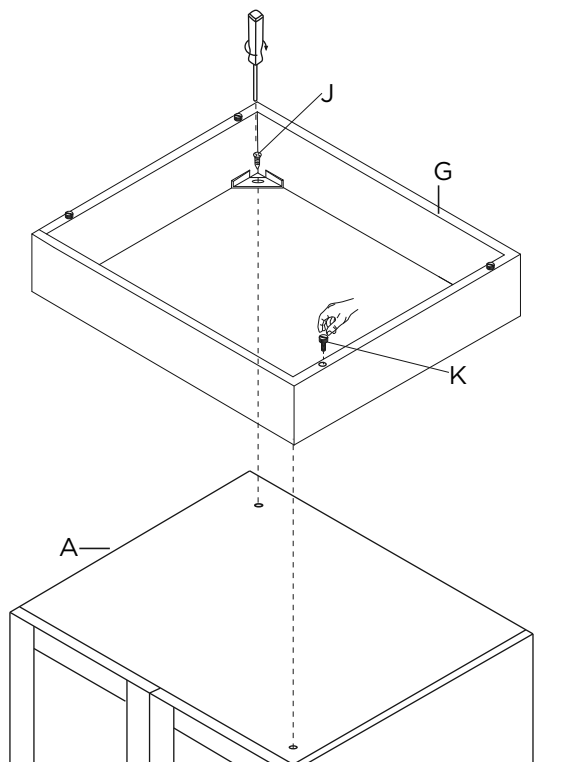
3 Installing the Base



CAUTION: Do not place side load onto feet when righting the cabinet.

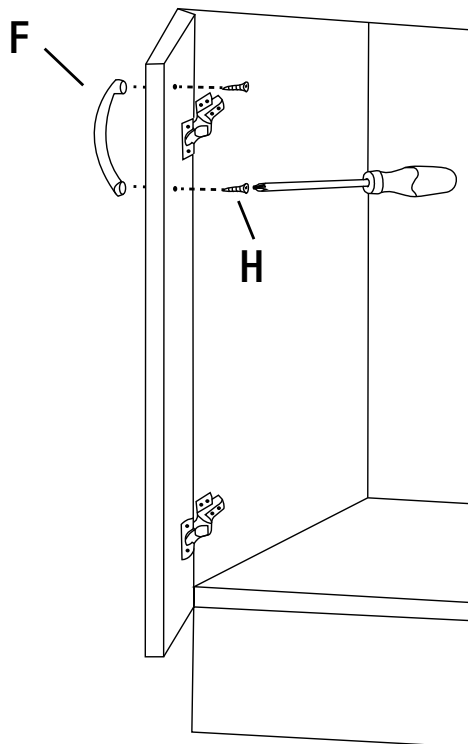
A thorough inspection must be made before installation and any damages or missing parts must be promptly reported. Do not proceed with the installation. Do not dispose of packaging before you are satisfied with your new sink.

- Unpack the unit and place the sink (B) on a blanket or cardboard to protect the surface.
- Turn the cabinet (A) upside down onto the protective surface.
- Gently attach the cabinet base (G) onto its proper location. Using the supplied base screws (J), attach the base to the cabinet.
- Attach cabinet feet (K) to the base.
- Gently place the cabinet upright.



4 Installing the Door Handles

- Insert the door handle screws (H) into the pre-drilled holes on each door.
- Attach the door handles (F) and hand tighten the door handle screws (H).
- Repeat on the other door.

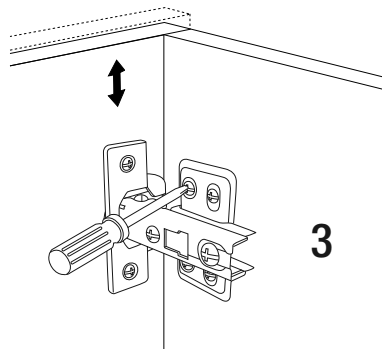
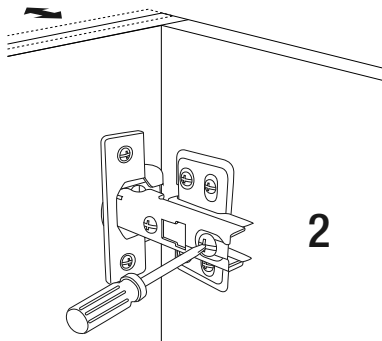
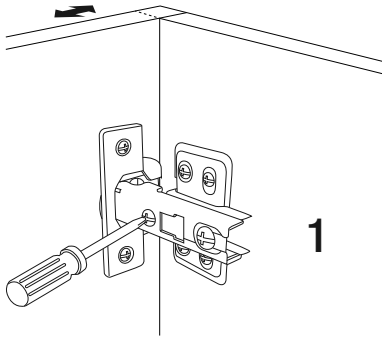


Installation (continued)

5 Adjusting the Door Position

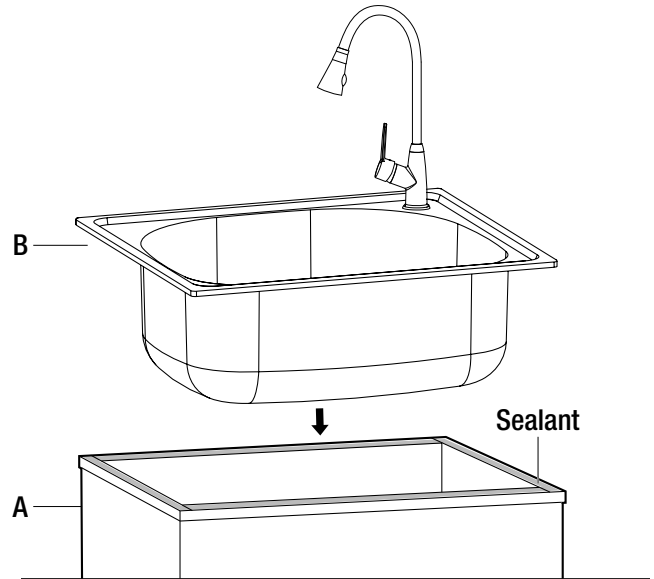
If the doors need to be repositioned, the hinges can be adjusted to ensure a precise fit with the cabinet.

- The lateral adjustment screw adjusts the door left or right.
- Horizontal adjustment of the screws adjust the door forward and backward.
- Vertical adjustment of the screws adjust the door up and down.



6 Mounting the Sink

- Carefully place a bead of sealant all around the top of the cabinet (A).
- Ease the sink (B) into the cabinet (A), ensuring that it is placed evenly and is centered on the cabinet. Wipe off any excess sealant. Use masking tape to hold the sink in place until the sealant dries.



Installation (continued)

7 Placing the Cabinet

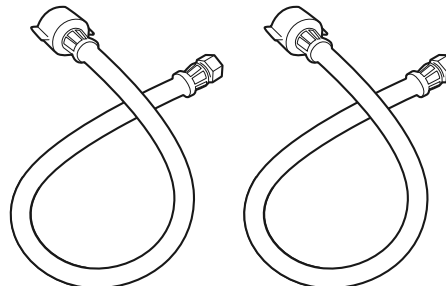
Move the assembled unit to its final location. Final hook up of the supply lines and drain system can now be completed.



NOTE: Supply lines are not included.

The supply lines that attach the faucet to the household water system, are not supplied with this unit. They need to be purchased separately.

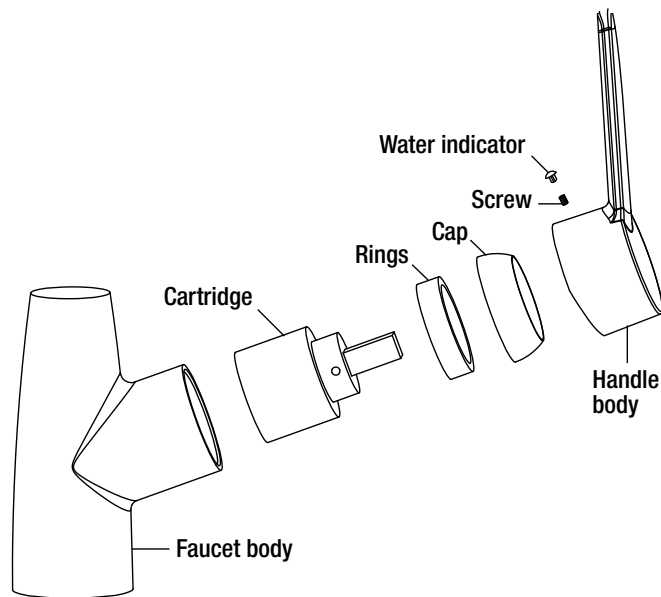
Follow the manufacturers instructions for proper installation of the supply lines.



Maintenance

CARTRIDGE REPLACEMENT

- Before proceeding, turn off the water supply to the faucet.
- Take off the plastic water indicator by hand, then use the Allen key to remove the screw and pull out the handle body. The top lever of the cartridge will be exposed.
- Unscrew the cap and rings, making sure not to damage the threads.
- Pull out the cartridge and replace it with a new 35 mm (1.4 in.) ceramic cartridge.
- Replace the rings and the cap.
- Place the handle body on the cartridge. Lock the screw onto the handle body and tighten it with the hex wrench. Do not over tighten.
- Put the plastic water indicator back into the hole, make sure the red is on the left and blue is on the right.



Care and Cleaning

SINK

Do
<ul style="list-style-type: none"><input type="checkbox"/> After use, always rinse your sink with tap water to dilute and remove deposits.<input type="checkbox"/> Towel dry after use whenever possible to prevent water spots. Should water spots occur, clean with a mild solution of vinegar and water followed by a thorough rinse.<input type="checkbox"/> Use liquid soap, a general household cleaner, or a weak solution of vinegar and water for regular cleaning.<input type="checkbox"/> Only use plastic scouring pads recommended for use in stainless steel sinks, and only use them in the bowl of the sink. Scrub in the direction of the satin finish lines.
Do not
<ul style="list-style-type: none"><input type="checkbox"/> Do not allow any food, detergent, soap or grease to dry or sit for extended periods of time on the surface of the sink.<input type="checkbox"/> Never use abrasive cleaning products, as they will dull and scratch the finish.<input type="checkbox"/> Do not use scouring pads on the deck, as they will dull the mirror finish.<input type="checkbox"/> Never use steel wool pads, as they will leave iron particles on the sink, which will cause corrosion.<input type="checkbox"/> Never leave steel or cast iron pans in your sink for extended periods of time, as this can cause corrosion.

CABINET

Do
<ul style="list-style-type: none"><input type="checkbox"/> Remove dust and dry dirt with a soft, damp cloth.<input type="checkbox"/> Clean grease, oil, paint and ink stains with isopropyl (rubbing alcohol). Immediately rinse with water after stain removal.
Do not
<ul style="list-style-type: none"><input type="checkbox"/> Do not allow your cabinet surface to come into contact with products such as acetone (nail polish remover), nail polish, dry cleaning solution, lacquer thinners, gasoline, pine oil, etc.<input type="checkbox"/> Use caution when using sharp instruments that may fall and scratch the surface.

Your sink is manufactured with the highest grade stainless steel and will provide you many years of enjoyment with the proper care.

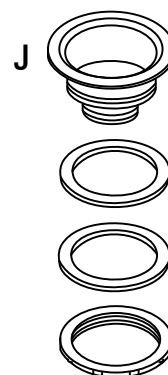
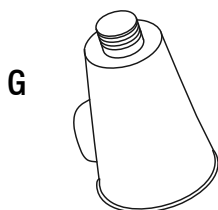
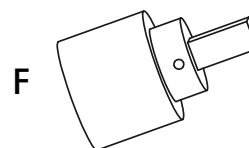
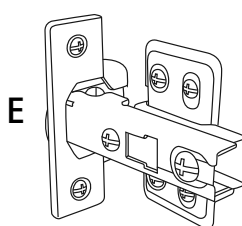
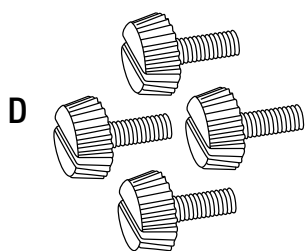
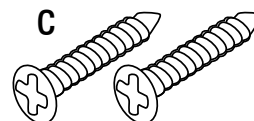
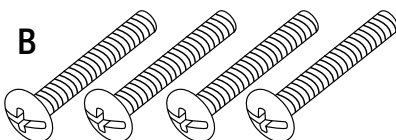
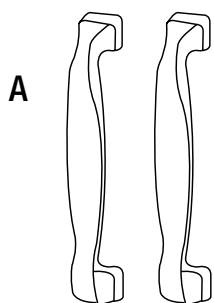
SCRATCH, SPOT, AND BLEMISH REMOVAL AND SURFACE RESTORATION:

Little rust spots and blemishes that periodically appear in the sink are typically the result of the steel interacting with the chemicals found in the vast spectrum of substances that sinks are commonly exposed to. They may also get transferred from other objects placed or left in the sink. Scratches are the result of regular wear and tear.

To remove scratches, spots, and blemishes from the sink, rub them with a non-metallic scouring pad (e.g. Scotch-Brite®) combined with a mild abrasive cleaner (e.g. Barkeeper's Friend®). Always rub the surfaces in the direction of the grain of the steel. When finished, rinse the sink with water and dry it with a towel to allow the sink to form a protective outer layer. This procedure can also be used to renew all of the surfaces of the sink.

Service Parts

If you are missing parts or if you require replacement parts, please contact our customer service team at 1-855-HD-GLACIER, 8:00 am - 7:00 pm, EST, Monday – Friday, 9:00 am - 6:00 pm, EST, Saturday. Identify the required part(s) and have the part number(s) ready.



Part	Description	Code	Quantity
A	Door Handles	QHL140	2
B	Door Handle Screws	QHL104	4
C	Base Screws	QHL108	2
D	Cabinet Feet	QHL107	4
E	Cabinet Hinges	QHL111	4

Part	Description	Code	Quantity
F	Ceramic Cartridge	QHS121	1
G	Sprayer Head	QHL131	1
H	Strainer Basket	QHS101	1
J	Strainer Assembly	QHS150	1

Tabla de materias

OWNER'S MANUAL	2	Cómo instalar la base del armario	17
Tabla de materias	12	Cómo instalar las manijas de las puertas	17
Información de seguridad	12	Ajuste de la posición de las puertas	18
Garantía	13	Cómo instalar el fregadero	18
Garantía limitada de por vida	13	Colocación	19
Procedimiento de reclamación de garantía	13	Ensamblaje del tubo de abastecimiento de agua	19
Preinstalación	14	Mantenimiento	19
Herramientas/Materiales requeridos	14	Reemplazo del cartucho	19
Contenido del paquete	15	Cuidado y limpieza	20
Instalación	16	Fregadero	20
Cómo instalar el grifo	16	Armario	20
Cómo instalar el colador	16	Piezas de repuesto	21

Información de seguridad

LEA Y GUARDE ESTAS INSTRUCCIONES

- Examine la unidad antes de proceder. Verifique si la superficie presenta defectos o daños, abolladuras, curvaturas, golpes o marcas por rozaduras. Si observa algún daño, no le instale.
- Utilice esta unidad exclusivamente de la manera concebida por el fabricante; si tiene preguntas, comuníquese con el fabricante.
- El trabajo de instalación y de plomería deben ser hechos por personas calificadas de acuerdo con todos los códigos y normas aplicables, e incluye una construcción calificada a prueba de incendio.
- Proteja la superficie total del producto durante la instalación para evitar daños.
- Todos los agujeros perforados deben ser hechos por la parte superior externa con extremo cuidado y calafatear cuidadosamente para formar una barrera impermeable.



PRECAUCIÓN: Use guantes y gafas de seguridad en todo momento para evitar lesiones personales.

DIVULGACIÓN REQUERIDA POR EL FABRICANTE DE MINNESOTA. IMPORTANTE AVISO DE SALUD:

ALGUNOS DE LOS MATERIALES DE CONSTRUCCIÓN UTILIZADOS EN ESTA VIVIENDA (O ESTOS MATERIALES DE CONSTRUCCIÓN) EMITEN FORMALDEHÍDO. SE HAN INFORMADO CASOS DE IRRITACIÓN DE OJOS, NARIZ Y GARGANTA, DOLORS DE CABEZA, NÁUSEAS Y GRAN VARIEDAD DE SÍNTOMAS SIMILARES AL ASMA —POR EJ., DIFICULTAD PARA RESPIRAR—, COMO RESULTADO DE LA EXPOSICIÓN AL FORMALDEHÍDO. LAS PERSONAS MAYORES Y LOS NIÑOS, ASÍ COMO CUALQUIER OTRA PERSONA CON ANTECEDENTES DE ASMA, ALERGIAS O PROBLEMAS PULMONARES, PUEDEN CORRER UN MAYOR PELIGRO. SE CONTINÚA INVESTIGANDO ACERCA DE LOS EFECTOS A LARGO PLAZO QUE PUEDE PROVOCAR LA EXPOSICIÓN AL FORMALDEHÍDO.

LA VENTILACIÓN REDUCIDA PUEDE GENERAR LA ACUMULACIÓN DE FORMALDEHÍDO Y OTRAS SUSTANCIAS CONTAMINANTES DEL AIRE EN ESPACIOS CERRADOS. LAS TEMPERATURAS Y LA HUMEDAD ELEVADAS EN ESPACIOS CERRADOS AUMENTAN LOS NIVELES DE FORMALDEHÍDO. CUANDO UNA VIVIENDA SE ENCUENTRA EN ÁREAS QUE ESTÁN SUJETAS A TEMPERATURAS DE VERANO EXTREMAS, SE PUEDE UTILIZAR UN SISTEMA DE AIRE ACONDICIONADO PARA CONTROLAR LAS ELEVADAS TEMPERATURAS EN ESPACIOS CERRADOS. ASIMISMO, SE PUEDEN UTILIZAR OTROS MEDIOS DE VENTILACIÓN MECÁNICA CONTROLADA PARA REDUCIR LOS NIVELES DE FORMALDEHÍDO Y OTRAS SUSTANCIAS CONTAMINANTES DEL AIRE EN ESPACIOS CERRADOS.

SI TIENE ALGUNA PREGUNTA CON RESPECTO A LOS EFECTOS DEL FORMALDEHÍDO EN LA SALUD, CONSULTE A SU MÉDICO O A SU DEPARTAMENTO DE SALUD LOCAL.

Garantía

GARANTÍA LIMITADA DE POR VIDA

Debe hacerse una inspección a conciencia antes de la instalación y cualquier daño debe ser reportado inmediatamente. No seremos responsables de los fallos o daños que pudieran haberse descubierto o evitado con una inspección y pruebas adecuadas antes de la instalación.

Garantizamos este producto contra todo defecto en los materiales o en la fabricación, durante el tiempo que el comprador/consumidor original sea el propietario de este producto. Una prueba de compra (factura original) del comprador/consumidor deberá acompañar toda reclamación hecha a nosotros.

Esta garantía no es transferible y será anulada si la unidad se quita del lugar donde se instaló inicialmente o si no se instala de acuerdo con las instrucciones del fabricante. La garantía no se aplica en caso de daños al producto debido al uso de otros repuestos, (las piezas de repuesto pueden obtenerse por llamando al 1-855-HD-GLACIER, 8 a 19 horas, hora del este, lunes a viernes, 9:00 a.m. - 6:00 p.m., hora del este, sábado) error de instalación, abuso, mal uso, cuidado incorrecto o mal mantenimiento (ya sea realizada por un plomero, fontanero, contratista, proveedor de servicios o un miembro de la familia del comprador). La garantía excluye los daños causados por condiciones agresivas de aire, agua, abrasivos, limpiadores y/o materiales.

Bajo ninguna circunstancia seremos responsables de lesiones personales o daños a la propiedad que resulten de una instalación o de un uso inapropiado de este producto. No seremos responsables por inconvenientes ocasionados por pérdida de uso de este producto, costos incurridos en mano de obra o materiales, retiro e instalación de unidades de remplazo, ni ningún otro daño incidental o consecuente. Los costos relacionados con la reparación o el reemplazo son la responsabilidad del usuario.

Nuestra obligación se limita a la reparación o reemplazo de una unidad (a nuestra discreción) que pueda comprobarse, únicamente al examinarla por nosotros, que tiene defectos bajo un uso y servicio normal durante el periodo de garantía.

Cualquier fallo de este producto que no sea identificable como un defecto en materiales o de fabricación no estará cubierto por la garantía. Estos artículos que no se pueden garantizar incluyen, pero no se limitan a:

- Instalación indebida que no siga las instrucciones del fabricante.
- Abolladuras, golpes y marcas ocasionadas durante el transporte, manejo o instalación.
- Cambio de color o en el acabado debido al uso de productos químicos.
- Daños ocasionados por no seguir las instrucciones de cuidado y limpieza, incluyendo daños ocasionados por el uso de limpiadores abrasivos.
- Alteraciones hechas a la unidad por parte del comprador o el instalador.
- Daños ocasionados por impacto accidental, fuego, inundaciones, congelamiento y por el desgaste normal.
- Dobleces y deformaciones a consecuencia de conexiones forzadas, accesorios apretados en exceso y soporte inadecuado durante la instalación.

Esta garantía no cubre el uso o la instalación comercial ni institucional.

PROCEDIMIENTO DE RECLAMACIÓN DE GARANTÍA

Si ocurre un defecto por el que se puede presentar una reclamación, por favor contacte nuestro equipo de servicio al cliente 1-855-HD-GLACIER (8 a 19 horas, hora del este, lunes a viernes, 9:00 a.m. - 6:00 p.m., hora del este, sábado).

Antes de llamar para presentar una reclamación, por favor asegúrese que tiene:

- La descripción o el número de modelo.
- El comprobante de venta.
- Los detalles del defecto.
- Nombre(s) y domicilio(s) del propietario y del instalador.

Preinstalación

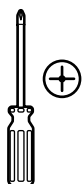
HERRAMIENTAS/MATERIALES REQUERIDOS (NO SUMINISTRADOS)



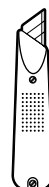
Llaves



Alicates



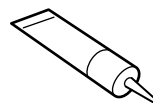
Desarmador en cruz



Cuchillo de uso general



Llave de tubos



Sellador de silicona



Nivel de carpintero



Sierra de mano

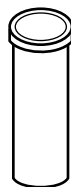


Guantes de seguridad



Gafas de seguridad

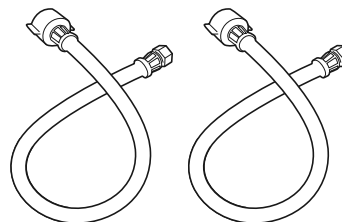
PIEZAS REQUERIDAS (NO SUMINISTRADAS)



Tubo final



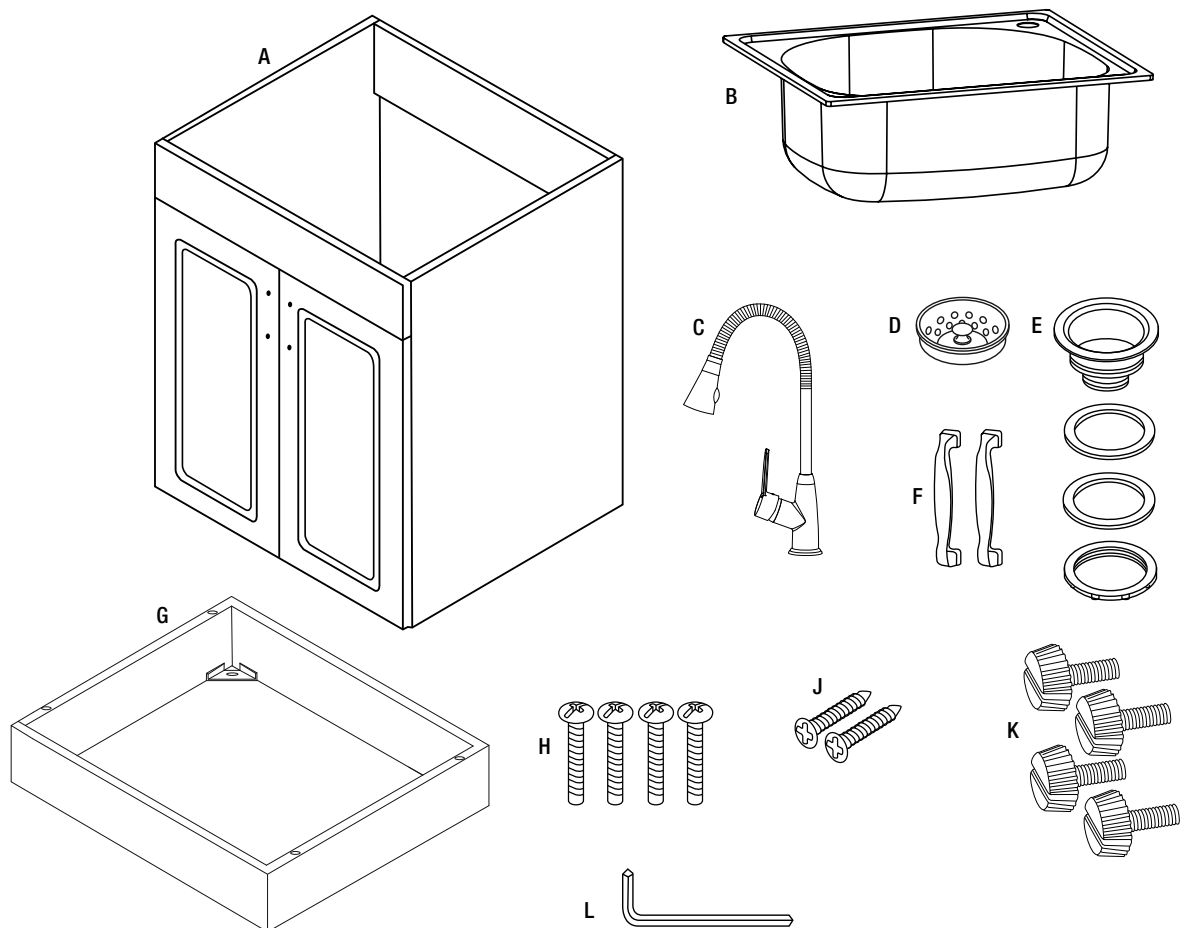
P Trampa



Líneas de alimentación

Preinstalación (continuación)

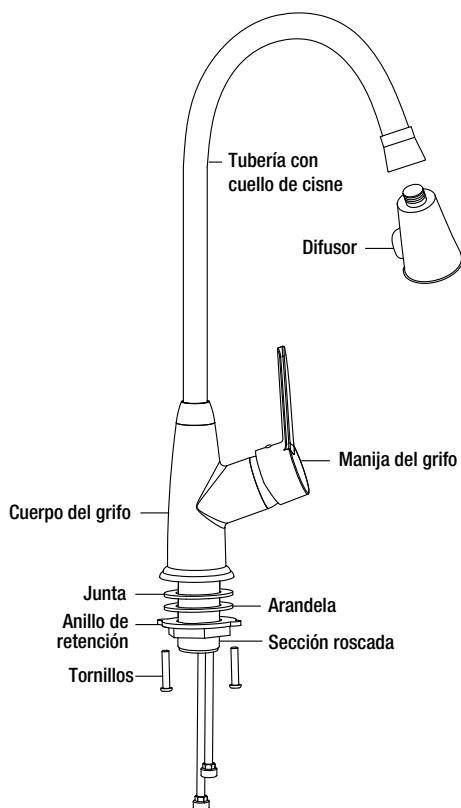
CONTENIDO DEL PAQUETE



Pieza	Descripción	Cantidad
A	Armario	1
B	Fregadero	1
C	Grifo	1
D	Colador	1
E	Conjunto de colador	1
F	Manijas de las puertas	2
G	Base del armario	1
H	Tornillos de las manijas	4
J	Tornillos de la base del armario	2
K	Patas del armario	4
L	Llave hexagonal	1

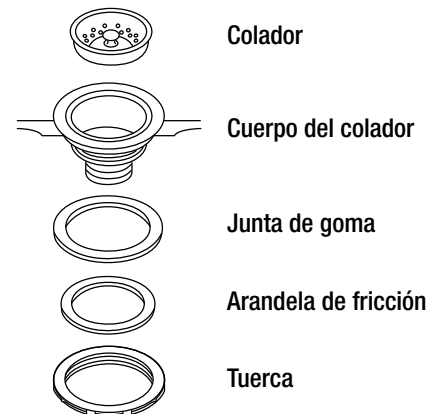
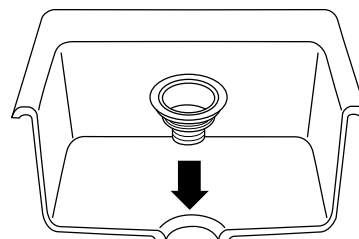
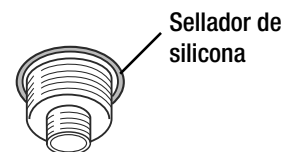
1 Cómo instalar el grifo

- Retire todas las piezas del ensamblaje del grifo (C) con cuidado. El grifo está previamente ensamblado, excepto por el difusor.
- Retire la arandela, la junta y el anillo de retención del cuerpo del grifo.
- Inserte el cuerpo del grifo a través del orificio del lavabo (B). Puede necesitar la ayuda de otra persona para sujetar el cuerpo en su lugar hasta que haya completado la instalación del grifo.
- Desde la parte inferior, deslice la junta y la arandela, y atornille el anillo de retención sobre el extremo del tubo de cobre y hacia la sección roscada del grifo. Apriete el anillo de retención con la mano hasta que quede bien ajustado. Con ayuda de una llave inglesa o pinzas, apriete el ensamblaje.
- Apriete delicadamente los dos tornillos en el anillo de retención. No apriete demasiado.
- Atornille el difusor a la tubería con cuello de cisne.
- Conecte la línea de abastecimiento de agua (no incluida) al grifo.



2 Cómo instalar el colador

- Aplique un anillo de pasta o sellador de plomería (no incluidos) en la parte inferior de la brida del cuerpo del escurridor.
- Inserte el cuerpo del escurridor en el fregadero.
- Monte el empaque de caucho, la arandela de fricción y la contratuerca en el cuerpo del escurridor, por debajo del fregadero.
- Apriete la contratuerca con la mano. No apriete demasiado la contratuerca o la tuerca de conexión, ya que podría romper o deformar el cuerpo del escurridor.



Instalación (continuación)

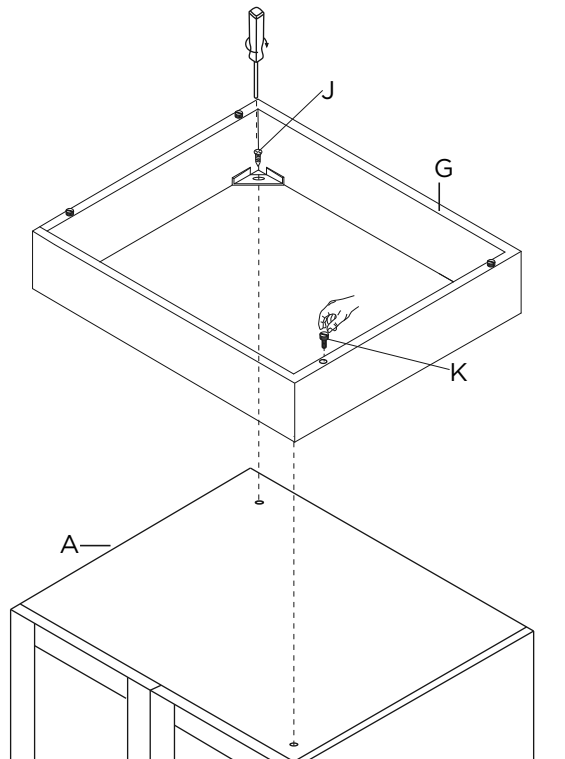
3 Cómo instalar la base del armario



PRECAUCIÓN: No ponga todo el peso sobre las patas laterales cuando lo coloque su lugar.

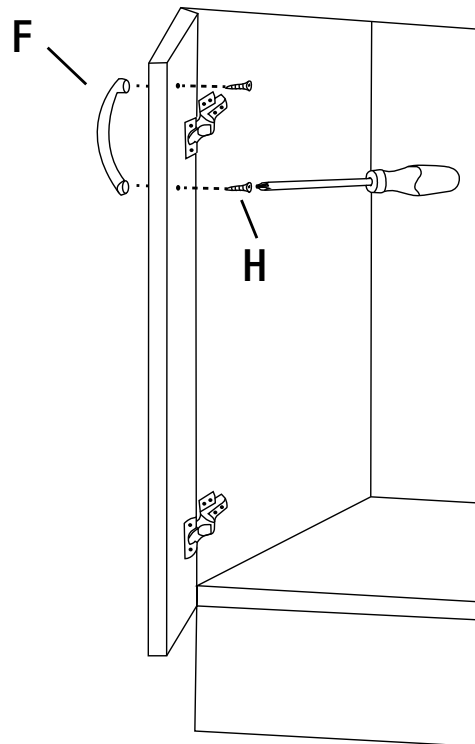
Una minuciosa inspección debe realizarse antes de la instalación y cualquier daño o pieza faltante debe comunicarse de inmediato. No continúe con la instalación. No se deshaga del embalaje antes de quedar satisfecho del nuevo fregadero.

- Desempaque la unidad y coloque el fregadero (B) sobre una cobija o cartón para proteger la superficie.
- Coloque el armario (A) de cabeza sobre la superficie protectora.
- Coloque cuidadosamente la base (G) del armario en su lugar. Una la base al armario con los tornillos de la base (J).
- Coloque las patas del armario (K) en la base.
- Coloque el armario boca arriba con cuidado.



4 Cómo instalar las manijas de las puertas

- Inserte los tornillos de las manijas (H) en los orificios de cada puerta.
- Coloque las manijas (F) y apriete los tornillos (H).
- Repita la misma operación en la otra puerta.

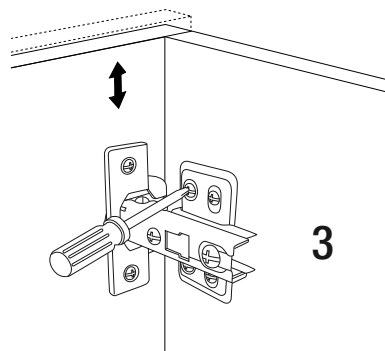
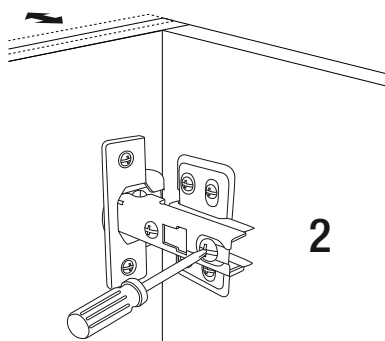
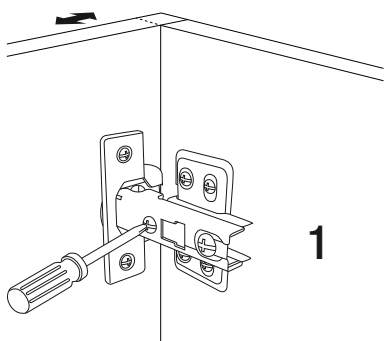


Instalación (continuación)

5 Ajuste de la posición de las puertas

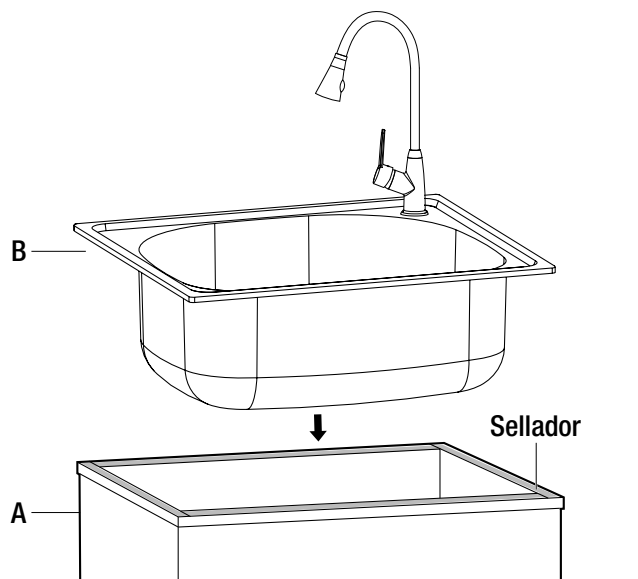
Si necesita reubicar las puertas, ajuste las bisagras para garantizar que embonen con el armario.

- Si ajusta los tornillos lateralmente, la puerta se ajustará a la izquierda y a la derecha.
- Si ajusta los tornillos horizontalmente, la puerta se ajustará hacia adelante y hacia atrás.
- Si ajusta verticalmente los tornillos, la puerta se ajustará hacia arriba y hacia abajo.



6 Cómo instalar el fregadero

- Agregue un poco de sellador en la parte superior del armario (A) con cuidado.
- Descanse el fregadero (B) en el armario (A), y asegúrese de colocarlo de forma pareja y centrado. Elimine el exceso de sellador.



Instalación (continuación)

7 Colocación

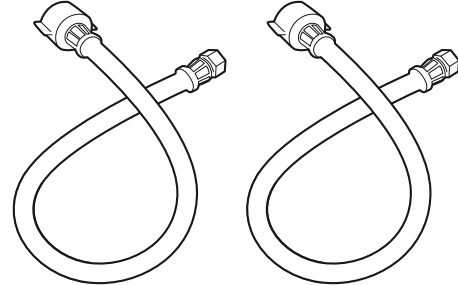
Mueva la unidad ya armada a su ubicación final. La conexión de los tubos de abastecimiento y el sistema de drenaje pueden ahora ser completados.



NOTA: Las líneas de abastecimiento no vienen incluidos con en esta unidad

Las líneas de abastecimiento, que conectan el grifo al suministro de agua de la casa, no vienen incluidos con en esta unidad. Se compran por separado.

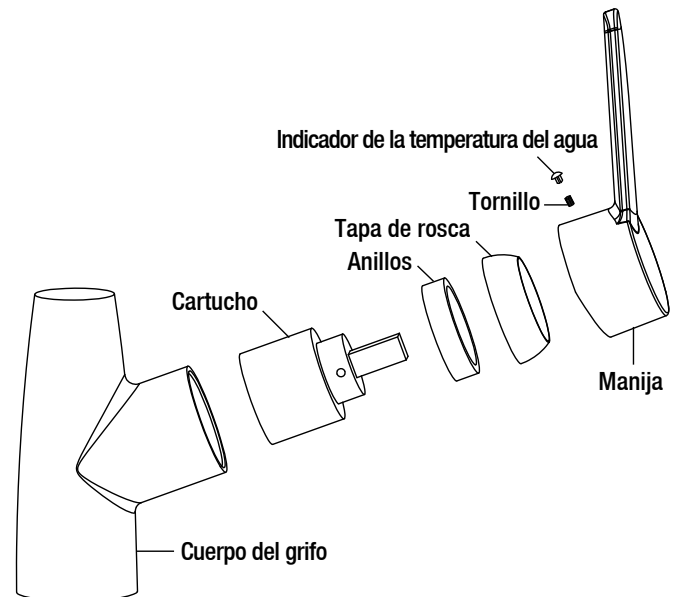
Siga las instrucciones del fabricante para instalar las líneas de abastecimiento de manera adecuada.



Mantenimiento

REEMPLAZO DEL CARTUCHO

- ❑ Antes de continuar, cierre el suministro de agua al grifo.
- ❑ Retire el plástico del indicador de temperatura del agua con la mano, luego, con la llave Allen, remueva el tornillo y tire del cuerpo de la manija. La palanca superior del cartucho quedará expuesta.
- ❑ Desenrosque la tapa y los anillos, asegurándose de no dañar las roscas.
- ❑ Extraiga el cartucho y replácelo con el cartucho cerámica de 35 mm (1.4 pulgadas).
- ❑ Vuelva a colocar los anillos y luego la tapa.
- ❑ Después, coloque el cuerpo de la manija sobre el cartucho. Fije el tornillo sobre el cuerpo de la manija y apriételo con la llave Allen. No apriete demasiado.
- ❑ Coloque nuevamente el indicador de temperatura de agua en el orificio, asegúrese de que el rojo esté en el lado izquierdo y el azul en el derecho.



Cuidado y limpieza

FREGADERO

Hacer

- Después de cada uso lave el fregadero con el agua del grifo para diluir y quitar cualquier depósito.
- Cuando pueda, seque el fregadero con una toalla para evitar que se formen marcas de agua. En caso de que se formen, límpielas con una solución de vinagre y agua, y luego enjuague minuciosamente.
- Utilice jabón líquido, limpiador doméstico multiusos o una solución de vinagre y agua para la limpieza regular.
- Use únicamente esponjas plásticas recomendadas para uso en fregaderos de acero inoxidable, y solo úselas en la cubeta del fregadero. Restriegue en el sentido de las líneas de lavado.

No Hacer

- Evite que se seque o deposite cualquier residuo de comida, detergente, jabón, grasa o condimentos por un periodo prolongado en la superficie del fregadero.
- Nunca utilice productos abrasivos, ya que opacarán y rayarán el acabado.
- No utilice esponjas en el exterior del fregadero, ya que opacarán el acabado de espejo.
- Nunca utilice esponjas de lana de acero, ya que dejarán partículas de acero en el fregadero y lo corroerán.
- Nunca deje cacerolas de acero o hierro fundido en el fregadero por periodos prolongados, ya que esto puede provocar corrosión.

ARMARIO

Hacer

- Elimine el polvo y la suciedad con un paño suave y húmedo.
- Limpie la grasa, aceite, pintura y manchas de tinta con isopropílico (alcohol para fricciones). Lavar inmediatamente con agua después de la eliminación de las manchas.

No Hacer

- No permita que la superficie del mueble entre en contacto con productos como la acetona (quitaesmalte), el esmalte de uñas, la solución de limpieza en seco, los disolventes de lacas, la gasolina, el aceite de pino, etc.
- Evite el uso de navajas de afeitar y otros instrumentos que puedan caer y rayar la superficie.

Este fregadero está fabricado con acero inoxidable de la mejor calidad y podrá utilizarlo durante muchos años siempre y cuando lo cuide y le dé el mantenimiento adecuado.

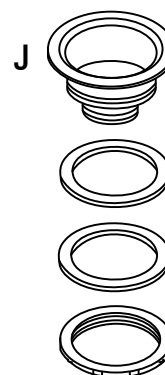
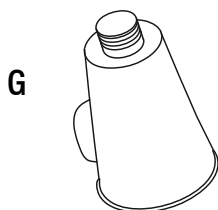
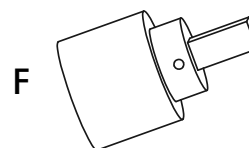
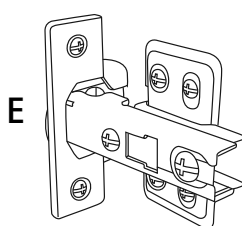
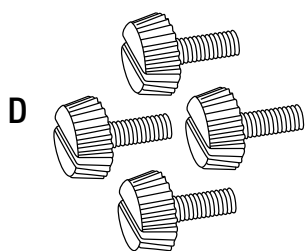
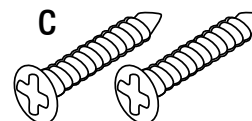
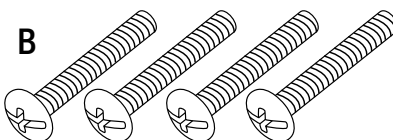
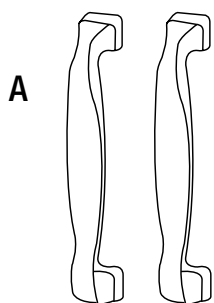
ELIMINAR LOS RAYONES, LAS MANCHAS Y LAS MARCAS, Y RENOVAR LA SUPERFICIE

Las pequeñas marcas y manchas de óxido que con frecuencia aparecen en el lavabo son resultado, por lo general, de la interacción entre el acero y los productos químicos que se encuentran en la gran variedad de sustancias a las que los lavabos están expuestos comúnmente. También es posible que esas sustancias se transfieran al lavabo desde otros objetos colocados o dejados en él. Los rayones son ocasionados por el uso y el desgaste normales.

Para eliminar los rayones, las manchas y las marcas del lavabo, tállelos con una fibra no metálica (p. ej., Scotch-Brite®) junto con un limpiador ligeramente abrasivo (p. ej., Barkeeper's Friend®). Siempre talle las superficies en la dirección de la veta del acero. Al terminar, enjuague el lavabo con agua y séquelo con una toalla, para permitir que se forme en él una capa protectora exterior. El mismo procedimiento puede usarse para renovar todas las superficies del lavabo.

Piezas de repuesto

Si requiere de una pieza faltante o de repuesto, por favor llámé al 1-855-HD-GLACIER, de 8 a 19 horas, hora del este, lunes a viernes, 9:00 a.m. - 6:00 p.m., hora del este, sábado. Identifique la(s) parte(s) requerida(s) y tenga el número(s) de pieza a la mano.



Pieza	Descripción	Código	Cantidad
A	Door Handles	QHL140	2
B	Door Handle Screws	QHL104	4
C	Base Screws	QHL108	2
D	Cabinet Feet	QHL107	4
E	Cabinet Hinges	QHL111	4

Pieza	Descripción	Código	Cantidad
F	Ceramic Cartridge	QHS121	1
G	Sprayer Head	QHL131	1
H	Strainer Basket	QHS101	1
J	Strainer Assembly	QHS150	1



Questions, problems, missing parts?
Before returning to the store, call Glacier Bay Customer Service
8:00 am - 7:00 pm, EST, Monday – Friday, 9:00 am - 6:00 pm, EST, Saturday

1-855-HD-GLACIER
[HOMEDEPOT.COM/GLACIERBAY](https://www.homedepot.com/glacierbay)

Retain this manual for future use.