



Westinghouse

UNDER CABINET STAINLESS STEEL RANGE HOOD
HOTTE DE CUISINIÈRE POUR DESSOUS D'ARMOIRE
EN ACIER INOXYDABLE



OWNER'S MANUAL
MANUEL DE L'UTILISATEUR

QR044

Table of Contents

Table of Contents	2	Maintenance	13
Safety Information	2	Replacing Filters	13
Warranty	4	Replacing Light Bulbs	13
One Year Limited Warranty	4	Care and Cleaning	14
Warranty Claim Procedure	4	Range Hood	14
Pre-Installation	5	Filters	14
Tools Required	5	Troubleshooting	15
Hardware Included	5	Specifications	16
Package Contents	6	Wiring Diagram	16
Planning Installation	7	External Diagram of Range Hood	17
Installation	10	Service Parts	18
Operation	12	MANUEL DE L'UTILISATEUR	19

Safety Information

READ AND SAVE THESE INSTRUCTIONS

Warning - To reduce the risk of fire, electric shock, or injury to persons, observe the following:

1. Use this unit only in the manner intended by the manufacturer. If you have any questions, contact the manufacturer.
2. Before servicing or cleaning unit, switch power off at service panel and lock service disconnecting means to prevent power from being switched on accidentally. When the service disconnecting means cannot be locked, securely fasten a prominent warning device, such as a tag, to the service panel.
3. Installation work and electrical wiring must be done by qualified person(s) in accordance with all applicable codes and standards, including fire-rated construction.
4. Sufficient air is needed for proper combustion and exhausting of gases through the flue (chimney) of fuel burning equipment to prevent back drafting. Follow the heating equipment manufacturer's guideline and safety standards such as those published by the National Fire Protection Association (NFPA), and the American Society for Heating, Refrigeration and Air Conditioning Engineers (ASHRAE), and the local code authorities.
5. When cutting or drilling into a wall or ceiling, do not damage electrical wiring and other hidden utilities.
6. Ducted fans must always be vented to the outdoors.



DANGER: Turn off the power circuit breaker or the power switch on the junction box before installing or servicing this unit. Touching circuitry inside the range hood while it is energized will result in death or serious injury.



DANGER: All electrical wiring must be properly installed, insulated, and grounded. Improper insulation and grounding will result in deadly electrical shock.



DANGER: If installing this unit over a gas range, turn off the gas at the source before installing or servicing this unit.



WARNING: Attempting to install or service this unit when you do not have the necessary technical or electrical background could result in personal injury.



WARNING: The unit has sharp edges. Always wear safety gloves during installation, cleaning, or servicing.



WARNING: Always leave safety grills and filters in place. Without these components, operating fans could catch on to hair, fingers, or loose clothing.



WARNING: Stay clear of the rotating fan when the motor is running.



WARNING: Keep this appliance clean and free of grease and residue build-up at all times to prevent fires.



CAUTION: This device is for general ventilating use only. Do not use to exhaust hazardous or explosive materials and vapors.

Safety Information (continued)

Cooking Safety Information

1. Never leave the range hood unattended when in use.
2. Never cook over open flames under the range hood.
3. Always turn the range hood on when cooking at high heat or when cooking flaming foods.
4. If you choose to hang the range hood as below (Fig. 1) distance (D) from the cooktop surface, use extra caution as the surface of range hood may be extremely hot to the touch. For this unit, (D in Fig. 1) is 458 mm - 710 mm (18 in. - 28 in.). If you choose an 18 in. installation, the temperature of the unit surface will be high if the unit is operated under high power cooking for a certain amount of time.
5. Use caution when cooking with oil or with deep-fryers. Overheating may cause oil to reach its flash point and ignite. Used oil will ignite at lower temperatures than fresh oil. Heat oils slowly on low to medium setting.
6. Avoid boil overs, as they may cause smoking and greasy spillovers that could ignite.
7. To prevent burns or fires, always use cookware appropriate to the size of the heating element that you are using.
8. In event of a cooking fire, observe the following:
 - Be careful to avoid burns.
 - Smother flames with a close-fitting lid, cookie sheet, or metal tray, then turn off the burner. If the flames do not go out immediately, evacuate and call the fire department.
 - Never pick up a flaming pan.
 - Do not use water, including wet dishcloths or towels, as you could cause a steam explosion.
 - Use an extinguisher only if: (a) you have a class ABC extinguisher and you know how to operate it, (b) the fire is small and contained in the area where it started, (c) the fire department is being called, and (d) you can fight the fire with your back to the exit.

Cleaning Safety Information

1. The fan and filters must be cleaned periodically and kept free from accumulation of cooking residue. Old and worn filters must be replaced immediately.
2. Never disassemble parts to clean. Parts should be disassembled by qualified persons only.



WARNING: To reduce the risk of fire, use only metal duct work. Never use plastic duct work.



WARNING: To reduce the risk of fire or electric shock, do not use this range hood with any external solid state speed control device.



CAUTION: For general ventilation use only. Do not use the range hood fans to exhaust hazardous or explosive vapours.



CAUTION: Never dispose of cigarette ashes, ignitable substances, or any foreign objects in fans.



CAUTION: At least two people are needed to move and safely install the unit. Failure to properly lift the range hood could result in product damage or personal injury.

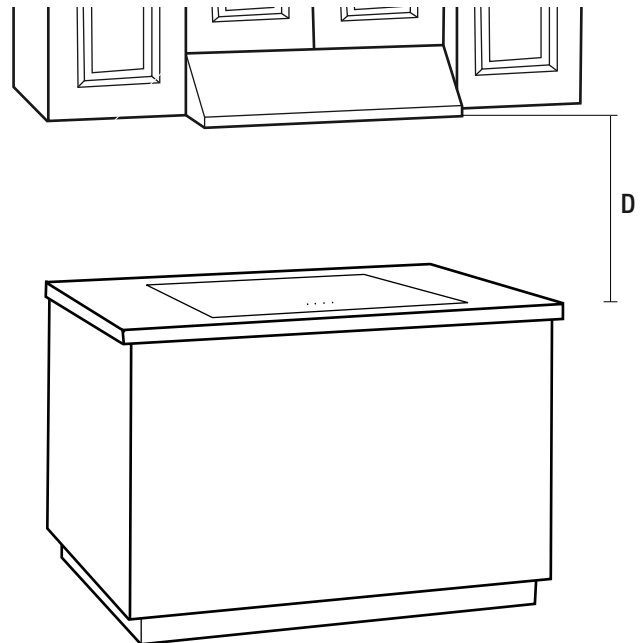


Fig. 1

Warranty

ONE YEAR LIMITED WARRANTY

A thorough inspection must be made before installation and any damage must be promptly reported. We will not be liable for failures or damage that could have been discovered or avoided by proper inspection and testing prior to installation.

Conglom Kitchen & Bath warrants this product to be free from defects in materials or workmanship for one (1) year from the date of purchase. Proof of purchase (original sales receipt) from the original consumer purchaser must be made available to Conglom Kitchen & Bath for all warranty claims.

This warranty is non-transferable and shall be voided if the unit is removed from its initial installation or if it is not installed following the manufacturer's instructions. It does not apply in the event of product damage due to the use of other than genuine Conglom Kitchen & Bath replacement parts, (Replacement parts may be obtained by e-mail at customer.service@conglomkb.com or by calling 1-877-333-0098 between 8:30 am - 5:00 pm EST) installation error, abuse, misuse or improper care and maintenance (whether performed by a plumber, contractor, service provider or member of the purchaser's household). The warranty excludes damage due to aggressive air or water conditions, harsh or abrasive cleaners and/or materials.

Under no circumstance shall we be held liable for personal injury or property damage resulting from improper installation or use of this product. We will not be held liable for inconvenience caused by loss of use of this product, costs incurred for labour or materials, removal and installation of replacement units, or any other incidental or consequential damages. Costs relating to obtaining access for repair or replacement are the responsibility of the user.

Our obligation shall be limited to the repair or replacement of a unit (at our discretion) that may prove, by our sole examination, to be defective under normal use and service during the warranty period.

Any failure of this product that is not traceable to a defect in material or workmanship is not covered by this warranty. These non-warrantable items include, but are not limited to:

- Improper installation not in accordance with manufacturer's instructions.
- Dents and/or scratches incurred during shipping, handling, or installation.
- Change in colour or finish due to chemical usage.
- Damage caused by failure to follow care and cleaning guidelines, including damage caused by the use of abrasive cleaners.
- Alterations made to the unit by the purchaser or installer.
- Damage caused by accidental impact, fire, flood, freezing, and normal wear.
- Bends and warping caused by forced connections, over-tightened fittings, and inadequate support during installation.
- Any defects or damage to light bulbs.

This warranty does not extend to commercial and institutional installation or use.

WARRANTY CLAIM PROCEDURE

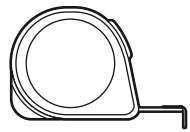
If a claimable defect occurs or replacement parts are needed, please contact our customer service team at customer.service@conglomkb.com or 1-877-333-0098 (8:30 am - 5 pm, EST, Monday - Friday).

Before you make your call, please ensure that you have:

- Model number or description.
- Proof of sale.
- Details regarding the defect and/or part number.
- Name(s) and address(es) of the owner and/or installer.

Pre-Installation

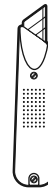
TOOLS REQUIRED



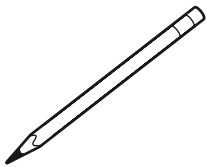
Measuring tape



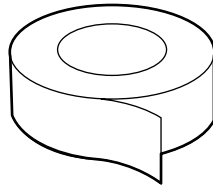
Level



Utility knife



Pencil



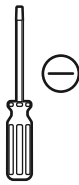
Duct tape



Adjustable wrench



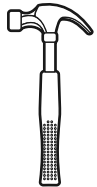
Phillips screwdriver



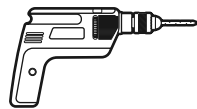
Flathead screwdriver



Needle nose pliers



Hammer



Electric drill



Safety goggles

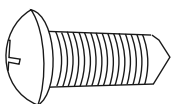


Safety gloves

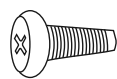
HARDWARE INCLUDED

NOTE:

Parts not shown to actual size.



AA



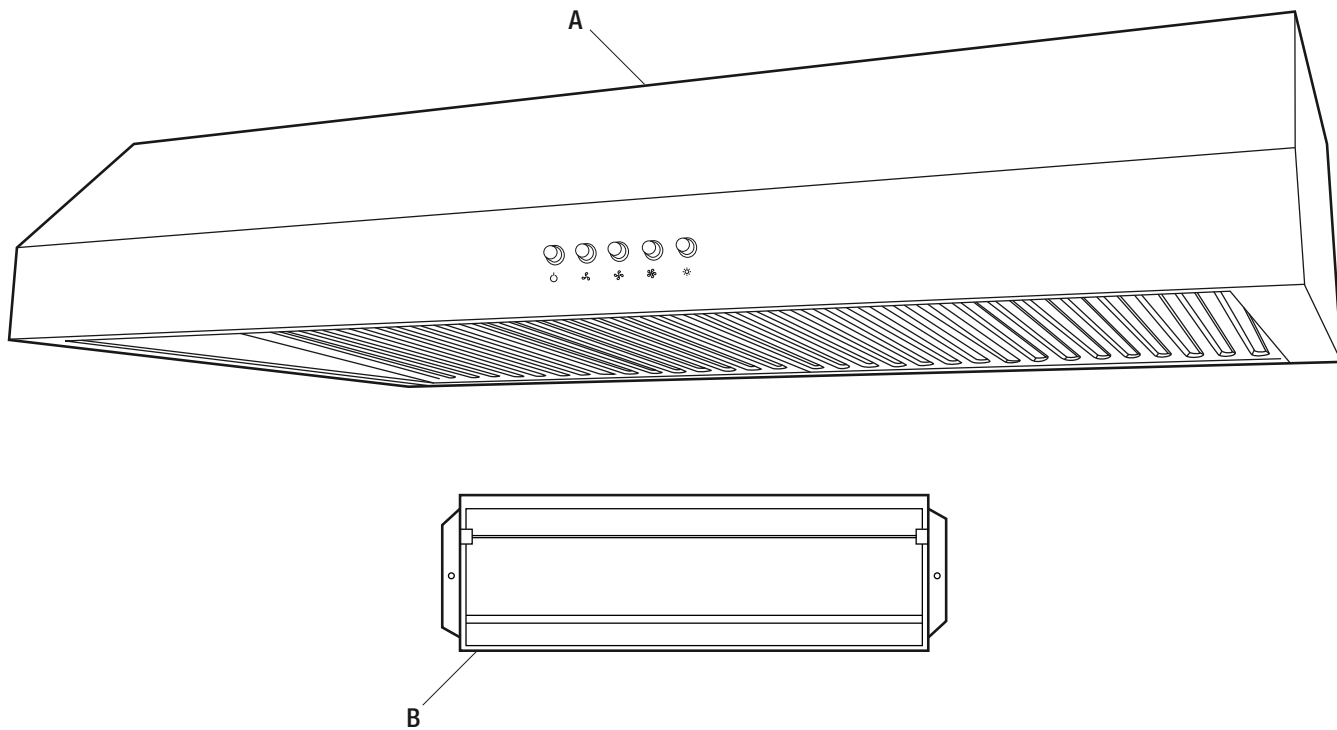
BB

Part	Description	Quantity
AA	Long tapping screw - (M5 mm x 12 mm)	4
BB	Short tapping screw - (M4 mm x 8 mm)	2

Pre-Installation (continued)

ENGLISH

PACKAGE CONTENTS



Part	Description	Quantity
A	Range hood (including filters)	1
B	Damper (located inside the hood)	1

Pre-Installation (continued)

PLANNING INSTALLATION

Number of people required: 2 or more

Carefully check the range hood for damage and for missing parts prior to installation. If there is any damage or if you are missing parts, do not proceed with the installation. Report damage and missing parts immediately. Do not dispose of packaging before you are satisfied with your new range hood.

1. Before installation, measure all distances to ensure the proper position of the range hood (A).

- The distance (1) from the cooking surface to the range hood must be at least 18 in. (458 mm). For the best performance, do not install the range hood more than 28 in. (710 mm) above the cooking surface.
- Dimension (3) should be at least 30" (762 mm). The range hood should be approximately the same size as the cook top.

2. If the bottom of the cabinet (6) above the location where the range hood is to be installed is recessed, attach appropriately sized wood filler strips (7) on each side using wood screws.

3. Screws are provided to secure the range hood to most types of cabinets, but consult a qualified installer to verify that the supplied screws are suitable for your cabinets.

4. Put a thick, protective covering over your counter, cooktop, or range to protect it from damage and dirt during installation. Remove any hazardous objects around the area.

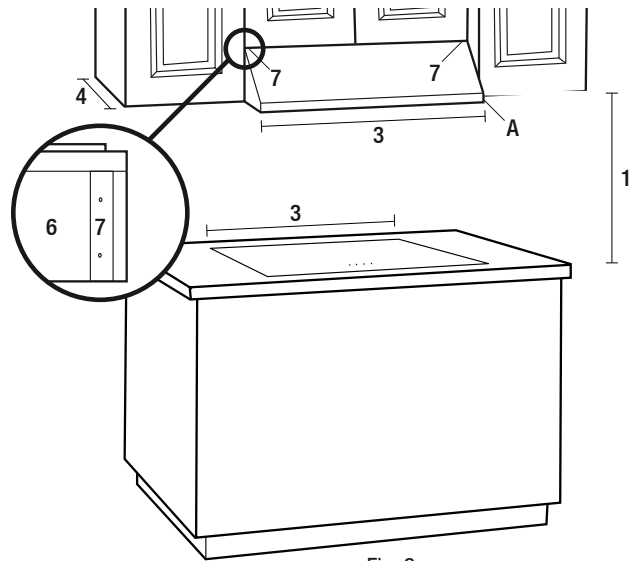


Fig. 2

VENTING OPTIONS

A. Determine if your existing venting system is top venting or back venting, and ensure that the openings in the cabinet or wall for the damper and for power access are in appropriate locations and are of appropriate sizes, as per Fig 3. if it is top vent or Fig. 4 if it is back vent.

B. If this is a new installation, choose the venting method that suits your needs. Cut out openings for the damper and for power access in the cabinet bottom or exterior wall. Following Fig. 3 if it going to be a top vent of Fig. 4 if it is going to be a back vent.

Top Venting Option

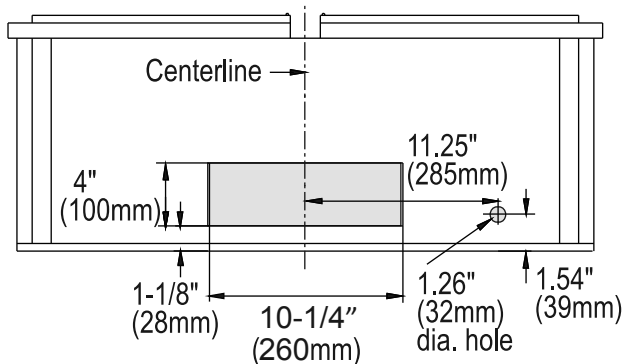


Fig.3

Back Venting Option

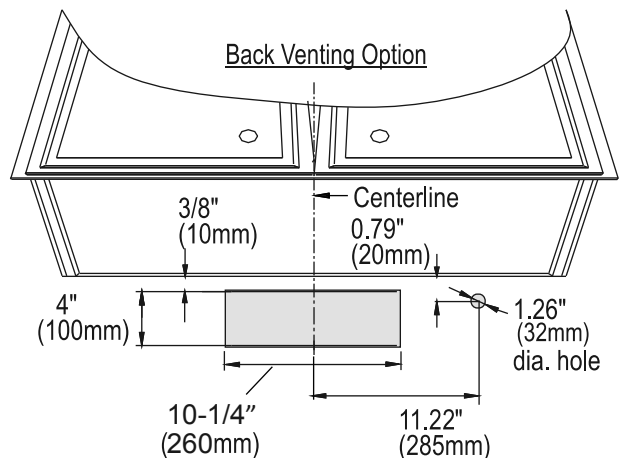


Fig.4

Pre-Installation (continued)

FOLLOW THESE GUIDELINES WHEN INSTALLING DUCT WORK:

- Your venting system must vent to the outdoors either horizontally through the back wall (13) or vertically through the roof (14) (refer to Fig. 5/ Fig. 6/ Fig. 7).
- Use round metal duct work with a uniform diameter of 6 in. (152 mm). The total duct run in the venting system should be not more than 10.7 m (35 ft).
- Calculate the total effective length of the duct work by adding the equivalent lengths in the table shown (Fig. 8). For each fitting used add the length of the equivalent straight duct used in the system.
- Fasten all connections between pieces of duct with sheet metal screws and tape all joints with certified duct tape.
- If you must turn the path of the duct work using elbows, keep the number of elbows to a minimum for effective performance and use no more than three 90° elbows. Ensure that there is a minimum of 18 in. (458 mm) of straight vent between each elbow. Elbow as far away from the range hood's exhaust opening as possible.
- Cap the exterior of the duct with a wall cap (15) or roof cap (16). Never use 4 in. (102 mm) laundry-type wall caps. Use caulking to seal exterior wall or roof opening around the cap.
- The venting system must have a damper. If the roof or wall cap has a damper, do not use the damper supplied with the range hood.

Horizontal Wall Venting

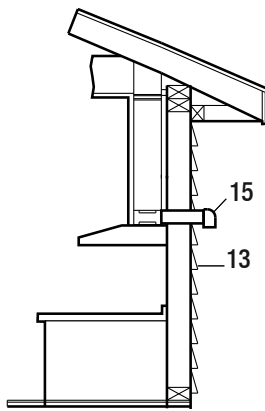


Fig.5

Horizontal Wall Venting

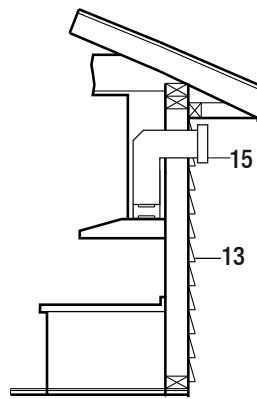


Fig.6

Vertical Roof Venting

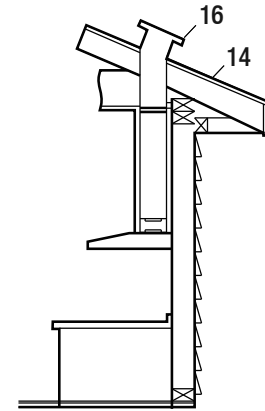


Fig.7

Equivalent Length Chart

Type of duct	Length added
45° Elbow	36 in. (914 mm)
90° Elbow	5 ft (1.52 m)
90° Flat Elbow	12 ft (3.66 m)
2 x 90° Elbow	10 ft (3.05 m)
9 ft (2.74 m) Straight duct	9 ft (2.74 m)
Wall cap	0 ft (0 m)

Fig. 8

Pre-Installation (continued)

WIRING CONNECTION REQUIREMENTS

Installation work and electrical wiring must be done by a qualified person(s) in accordance with all applicable codes and standards, including fire-rated construction.

OBSERVE ALL GOVERNING CODES AND ORDINANCES WARNINGS

- Electrical grounding is required for this range hood. Check with a qualified electrician if you are not sure whether the range hood is properly grounded.
- Failure to follow electrical requirements may result in a fire.
- A fuse in the neutral or grounding circuit could result in electrical shock.
- If the hot/cold water pipe is interrupted by plastic nonmetallic gaskets or other materials, DO NOT use for grounding.
- DO NOT GROUND TO A GAS PIPE.

IMPORTANT: It is the customer's responsibility to contact a qualified electrical installer and assure that the electrical installation is adequate and complies with the National Electrical Code, or CSA standards, as well as all local codes and ordinances.

1. Save installation instructions for electrical inspector's use.
2. If codes permit and a separate ground wire is used, it is recommended that a qualified electrician determine if the ground path is adequate.
3. DO NOT use an extension cord or adapter plug with this appliance.
4. The range hood must be connected with copper wire only.
5. The range hood should be connected directly to the junction (or circuit breaker) box through flexible, armoured or nonmetallic sheathed copper cable. Allow some slack in the cable so the appliance can be moved if servicing is ever necessary.
6. A UL listed or CSA approved conduit connector must be provided at each end of the power supply cable (at the range hood and at the junction box).
7. When making the electrical connection, cut a 3.2 cm (1-1/4 in. hole in the wall. A hole cut through wood must be sanded until smooth. A hole through metal must have a grommet.
8. When cutting or drilling into the wall or ceiling, do not damage electrical wiring and other hidden utilities.
9. Wire size must conform to all local codes and ordinances. The latest edition requirements of the National Electrical Code ANSI/NFPA 70, or the latest edition CSA Standards C22.1-94, Canadian Electrical Code Part 1 and C22.2 No. 0-M91.



DANGER: Risk of electrical shock. This range hood must be properly grounded.



DANGER: Turn off the power circuit breaker or the power switch on the junction box before installing this unit. Touching circuitry inside the range hood while it is energized will result in death or serious injury.

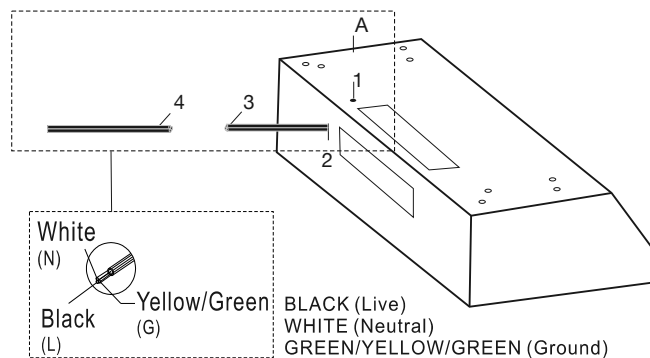


DANGER: All electrical wiring must be properly installed, insulated, and grounded. Improper insulation and grounding will result in deadly electrical shock.

NOTE:

Temporarily wire the range hood to test it for proper operation. If the range hood does not operate correctly, do not proceed with the installation.

- Use the power supply cable to connect the range hood (A) directly to the junction box or circuit breaker box. Use a flexible, armoured, or nonmetallic sheathed copper cable only. Never use an extension cord or adapter plug.
- Connect a UL-listed or CSA-approved conduit connector to each end of the power supply cable (at the range hood and at the junction box). Connect the three colored wires (3) from the range hood (A) to the corresponding wires (4) from the electrical source: black to black (live), white to white (neutral), and green/yellow to green/yellow (ground). Use either the top hole (1) or the back hole (2) of the range hood depending on your installation type.
- Turn the power on, and ensure that the lights and the fan are operating correctly.
- Once you have tested the electrical connection, disconnect the power supply cable and wires from the electrical source before proceeding with the rest of the installation.



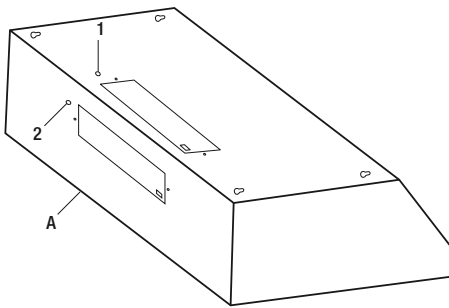
Installation

REMOVING THE ELECTRICAL KNOCK-OUT HOLE



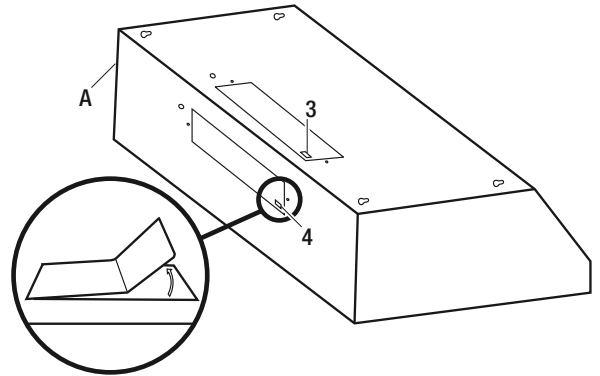
WARNING: Always wear safety goggles and gloves during installation.

- Choose the appropriate electrical knock-out hole to remove for your installation type. Use the top hole (1) if your electrical supply is in the cabinet and the back hole (2) if your electrical supply is on the wall below the cabinet.
- Use a hammer and a flathead screwdriver to gently punch out the electrical knock-out hole.



REMOVING THE VENTING HOLE

- Choose the venting hole to remove for your installation type. Use the top hole (3) for a top venting installation and the back hole (4) for a back venting installation.
- Carefully remove the cover (3 or 4) of the appropriate venting hole using a flat head screwdriver or needle nose pliers. Be careful not to leave any debris inside the range hood.



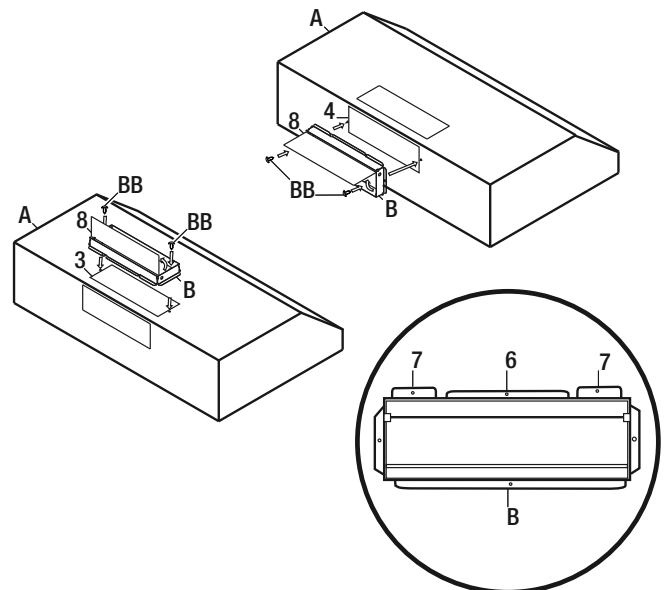
INSTALLING THE DAMPER

NOTE:

Only install the damper if you are using a venting system that does not already have a damper.

If this hood replaces an existing unit, the location of the air exhaust can vary from one manufacturer to another. Ensure that the damper fits in the existing opening before installing.

- Choose to install the damper (B) either in the top position (3) for top venting or in the back position (4) for back venting.
- Insert the damper (B) into the chosen hole in the range hood (A), ensuring that the central flap (6) goes into the hole while the two side flaps (7) remain above it.
- Lift the lid (8) of the damper and screw the damper (B) to the range hood (A) with the two short tapping screws (BB).
- Seal the damper (B) to the range hood (A) on all four sides with duct tape.



Installation (continued)

INSTALLING THE RANGE HOOD

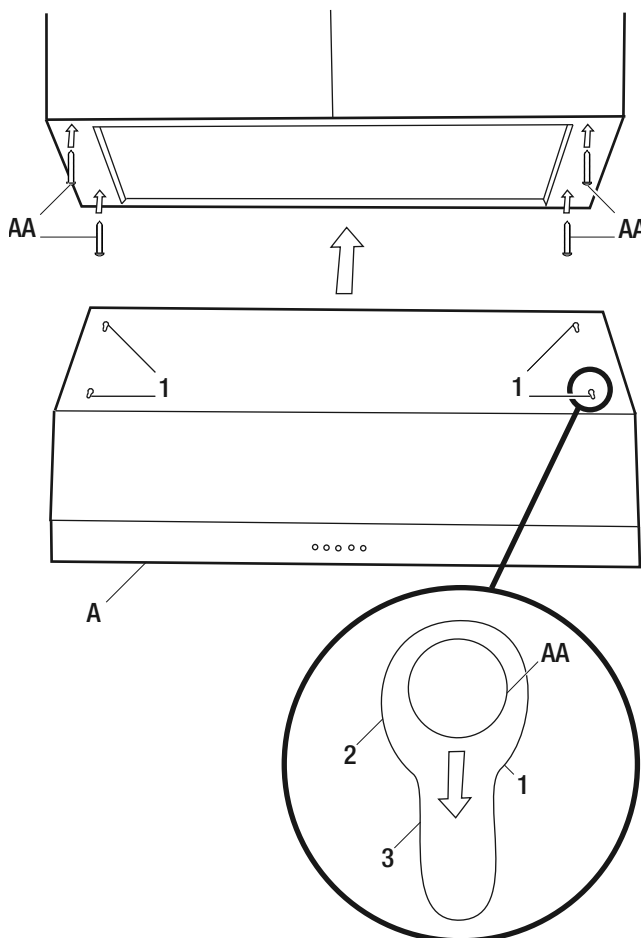


DANGER: Turn off the power circuit breaker or the power switch on the junction box before installing this unit. Touching circuitry inside the range hood while it is energized will result in death or serious injury.



DANGER: If installing this unit over a gas range, turn off the gas at the source before installing or servicing this unit.

- Lift the range hood (A) up under the cabinet to determine its final position. Mark the location of the four keyhole mounting slots (1) on the underside of the cabinet.
- Set the range hood (A) aside on a protective surface.
- Drill four pilot holes in the locations that you marked.
- Screw the four long tapping screws (AA) into the pilot holes. Do not tighten the screws all the way – leave the screw heads about 0.28 in. (7 mm) from the cabinet surface.
- Lift the range hood (A) into position, feeding the power cable and the electrical wires through the power access opening. Allow some slack in the cable and wires so that the appliance can be moved if servicing is ever necessary.
- Position the range hood (A) so the large end (2) of the keyhole mounting slots (1) are over the screws (AA). Then push the range hood (A) toward the wall so the screws (AA) are in the neck (3) of the keyhole slots. Tighten the screws (AA). Ensure that the range hood (A) is securely fastened to the cabinet before releasing it.
- If applicable, test the damper blade to ensure it rotates up and down freely.
- If applicable, connect the duct work to the range hood (A). Seal the joints with duct tape to ensure an airtight fit.



FINAL STEP

- Reconnect the power supply cable and wires to the electrical supply. Turn the power on and ensure that the lights and fan are operating correctly.

Operation

NOTE:

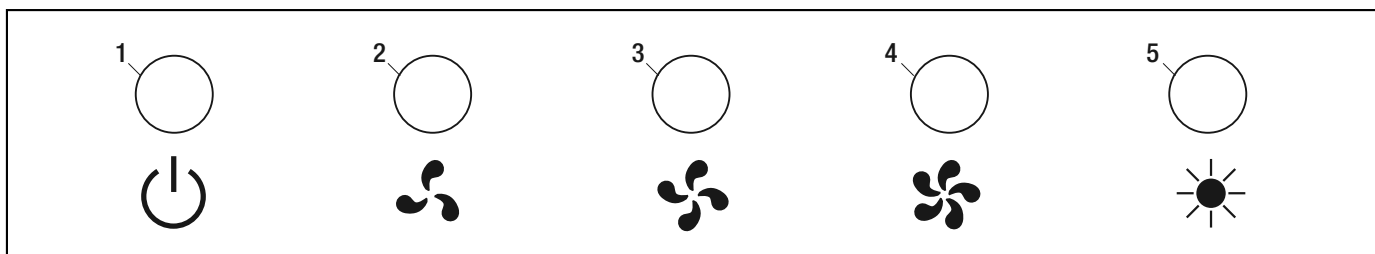
The fan and lights operate independently of each other.

TURNING ON/OFF THE UNIT

- To turn on the fan, press the appropriate speed control switch [Low Speed (2), Medium Speed (3), High Speed (4)] to select the desired level of power. Once a button is pressed, the previous speed mode will be cancelled.
- Press the power switch (1) to turn off the fan.

TURNING ON/OFF THE LIGHTS

- Press the light switch (5) to turn on and off the lights.

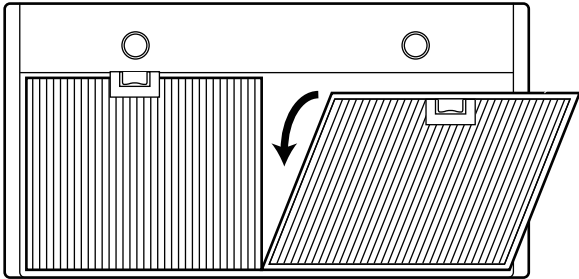


Maintenance

REPLACING FILTERS

When filters need replacing, exchange with similar filters with stainless steel clips. Also replace filters that are damaged with punctures, bends, or broken frames.

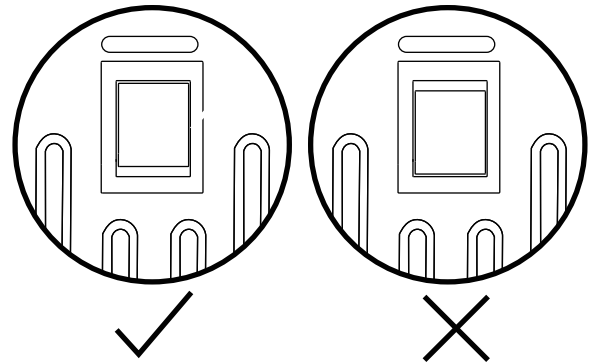
- Turn off the range hood and disconnect the power.
- Replace with an equivalent filter, then reconnect the power.



DANGER: Turn off the power circuit breaker or the power switch on the junction box before performing maintenance. Touching circuitry inside the range hood while it is energized will result in death or serious injury.



WARNING: Failure to replace worn out or damaged filters will increase the risk of fire.



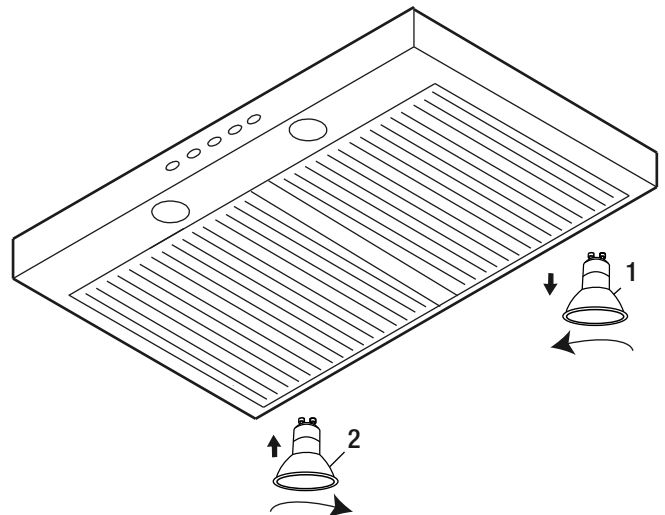
REPLACING LIGHT BULBS

When light bulbs burn out, replace them with a 25W or 35W /JDR 16, GU10 twist and lock base light bulb.

- Turn off the range hood, disconnect it from its power source, and ensure that the lights are cool.
- Turn the bulb (1) counter-clockwise and pull it out to remove it.
- Push in the new bulb (2) and turn it clockwise. Do not release the bulb until you are sure the bulb has been securely installed. Then reconnect the power.
- If new bulbs do not operate, ensure that they are inserted correctly.



WARNING: Light bulbs can become extremely hot when turned on. Do not touch bulbs until they are switched off and cooled. Touching hot bulbs could cause serious burns.



Care and Cleaning

RANGE HOOD



WARNING: Failure to maintain basic standards of care and cleaning of the range hood will increase the risk of fire.

The range hood should be cleaned (regularly internally and externally) to preserve its appearance and performance.

Do:

- Always clean in the direction of the grain (original polish lines).
- Clean the range hood periodically with hot, soapy water and a clean cotton cloth.
- Always rinse well with clean water two or three times after cleaning. Wipe completely dry with a soft non-abrasive cloth.
- After cleaning, you may polish with a non-abrasive stainless steel polish or cleaner. Always rub lightly and with the grain.
- Ensure that the venting system is free of debris, if you have one.

Do Not:

- Do not use corrosive or abrasive detergents, steel wool, or scouring pads. These will scratch and damage the stainless steel surface.
- Do not use corrosive or abrasive detergents, or any products containing chloride, fluoride, iodide, or bromide on this product, as they will deteriorate the surface rapidly.
- Do not allow cleaning compounds, salt solutions, disinfectants, or bleaches to remain in contact with the product for extended periods of time.
- Do not allow deposits to remain for long periods of time on the range hood. Rinse with water immediately and wipe dry with a clean cloth.
- Do not let plaster dust or any other construction residue enter the hood. During construction or renovation, cover the hood.
- Combustible products used for cleaning such as acetone, alcohol, ether, or benzol are highly explosive and should never be used close to a range or stove.

FILTERS

The filter fitted by the factory is intended to filter out residue and grease from cooking. You do not need to replace them on a regular basis, but you should keep them clean.

Do:

- Clean the filters once a month using non-abrasive detergents, either by hand or in the dishwasher. When using a dishwasher, set the dishwasher to a low temperature and a short cycle setting. The filter may become discoloured in a dishwasher, but this does not affect its performance.
- Dry the filters before re-installing them in the range hood.

Do Not:

- Do not allow oil to accumulate over more than 80% of the filter surface. Oil accumulations may drip oil onto the range.

Troubleshooting



DANGER: Turn off the power circuit breaker or the power switch on the junction box before performing maintenance. Touching circuitry inside the range hood while it is energized will result in death or serious injury.

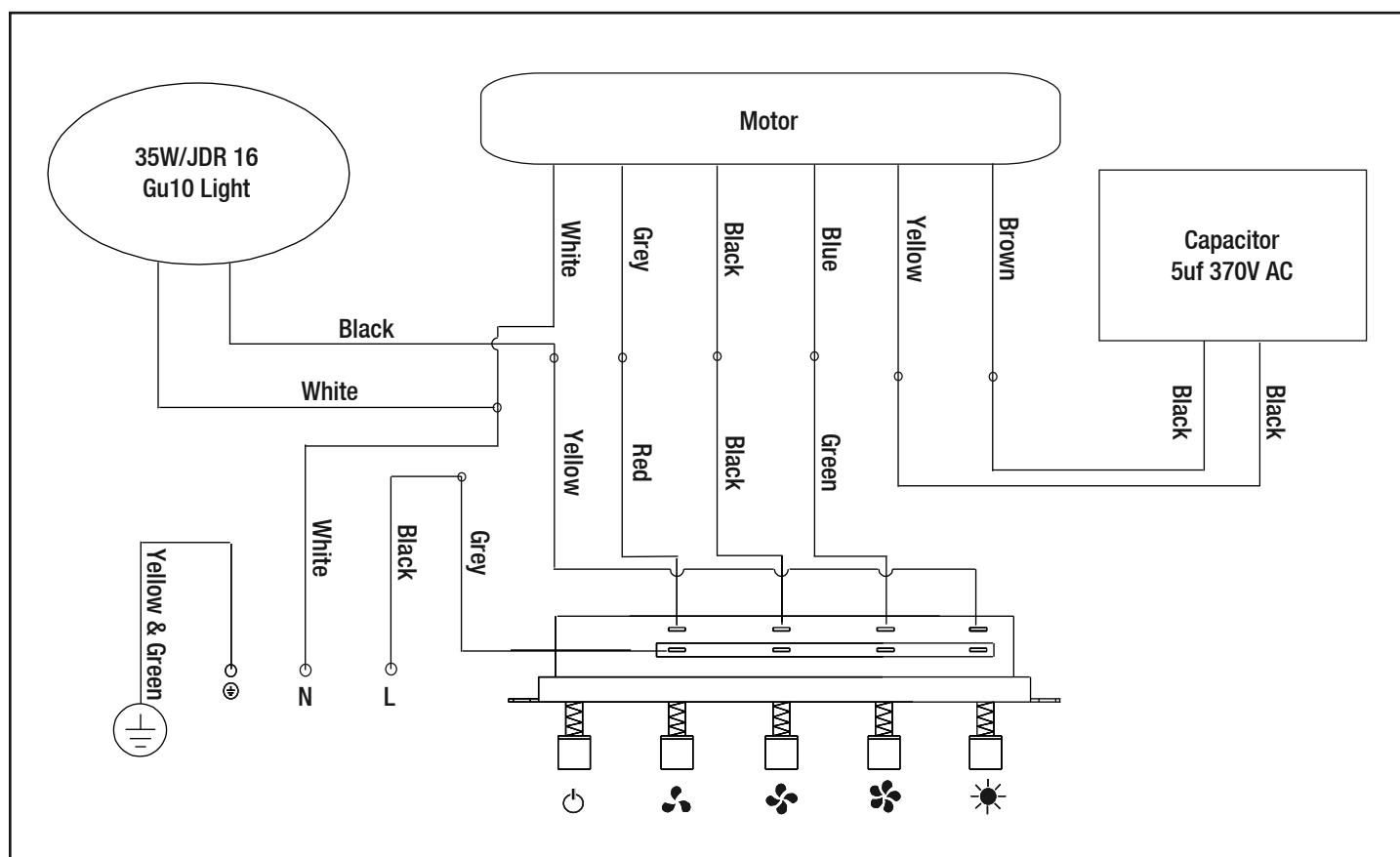
Problem	Solution
The range hood will not operate.	<ul style="list-style-type: none"> - Check that the power supply cable and all electrical wiring are properly connected. - Check that the power is turned on at the junction box or circuit breaker. - Check that the wiring between the switch control and the control board are connected properly.
The range hood vibrates when the fan is operating.	<ul style="list-style-type: none"> - Check that the range hood has been secured properly to the wall. Tighten into position, if necessary. - Check that the motor is secured in place. If not, then tighten the motor in place. - Check that the fan is not damaged. If so, replace the fan.
The fans seem weak.	<ul style="list-style-type: none"> - Check that the duct size used is at least 6 in. (152 mm) round. The range hood will not function efficiently with insufficient duct size. - Check that the duct is not clogged with debris and the tight mesh on the wall cap, if applicable, isn't restricting air flow. - Check that the damper unit is opening properly. - Check that no birds or animals have nested in the duct.
The lights work, but the fan is not spinning, is stuck, or is rattling.	<ul style="list-style-type: none"> - The thermal protection system detects if the motor is too hot to operate and shuts the motor down. In this case, the motor will function properly after the thermal protection system cools down (after approximately 10 min.). - Check that the fan isn't jammed or scraping the bottom. - If nothing else works, the motor may be defective or seized. If so, replace the motor.
The range hood is not venting properly.	<ul style="list-style-type: none"> - Check that no birds or animals have nested in the duct. - Check that the distance between the cooktop and the bottom of the range hood is between 18 in. (458 mm) and 28 in. (710 mm). - Check that duct work follows all requirements. Use round metal duct work with a uniform diameter of 6 in. (152 mm). The length of duct work must not exceed 35 ft (10.7 m). Reduce the length of duct work and the number of elbows if necessary. Ensure that all joints are properly connected, sealed, and taped. - Check that the duct does not open against the wind. - Ensure that the power is on high speed for heavy cooking. - Wind from opened windows or doors may affect the performance of the range hood. Close all windows and doors to eliminate outside air flow. - To enhance the performance of the range hood, open slightly a window on the opposite side of the house where the range hood vents outdoors.
A light does not work.	<ul style="list-style-type: none"> - Check to see if light bulb is burnt. If so, replace. - Check the light bulb to see if it is loose. If so, tighten. - Remove the problem bulb and insert one you know is working. If the properly functioning light does not come on, the problem may be the light assembly. Have the light assembly serviced or replaced.

Specifications

ENGLISH

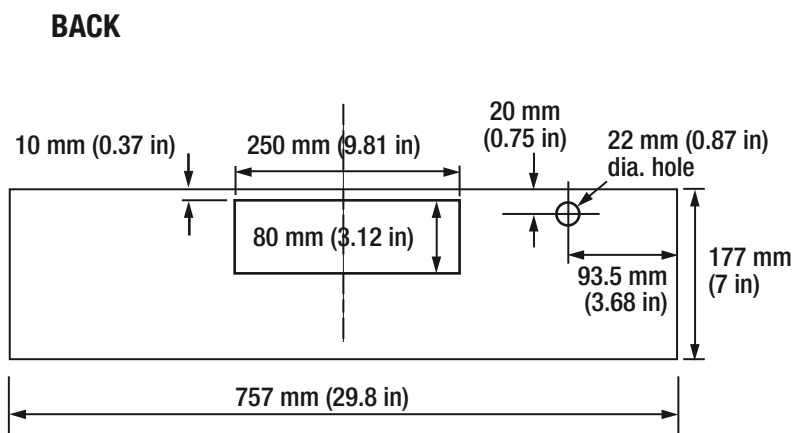
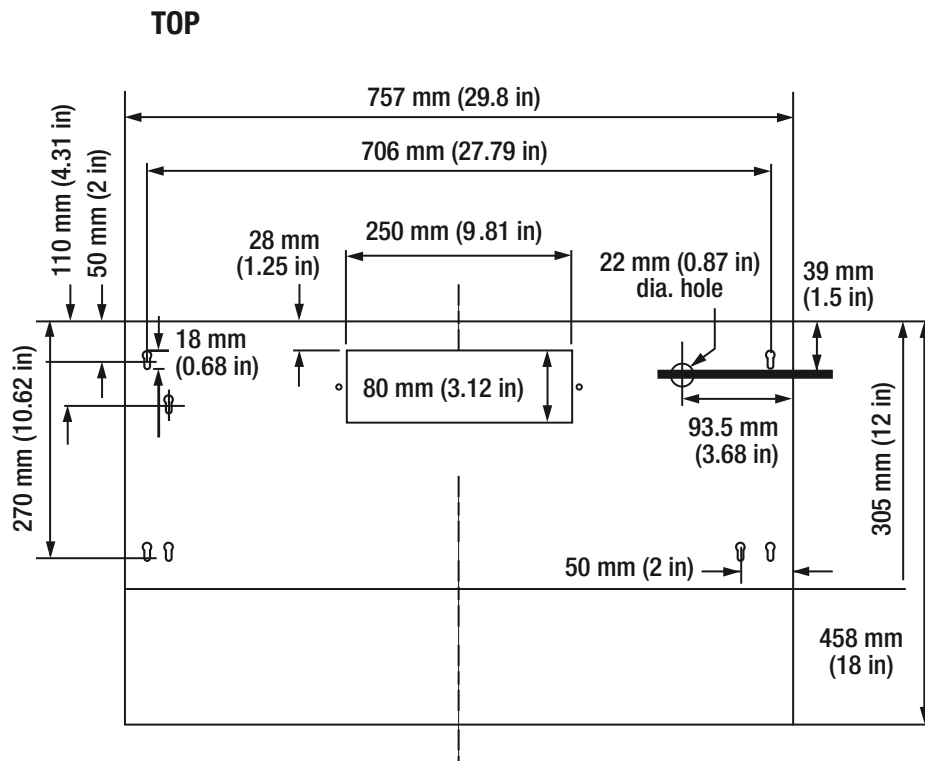
Model	Dimensions	Rating	CFM	Speeds	Light Bulb Wattage	Venting Options
QR044	29.8 in. (757 mm) W	120~60Hz 1.5A	380 ± 10%	High	2 x Max. 25W or 35W/ JDR 16, GU10 twist and lock base light bulb	Top venting Back venting
	Medium					
	Low					

WIRING DIAGRAM



Specifications (continued)

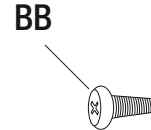
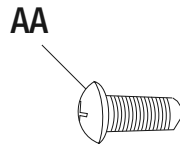
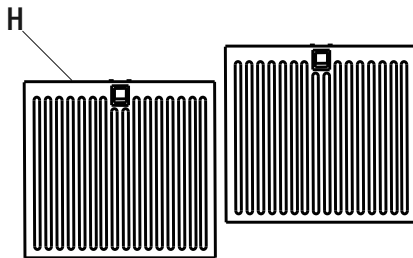
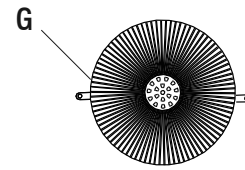
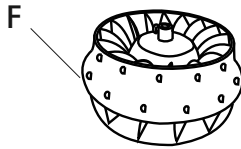
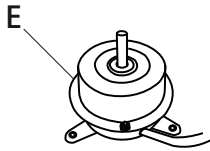
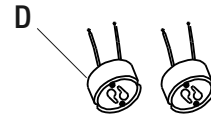
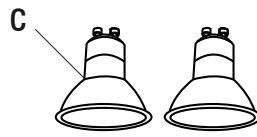
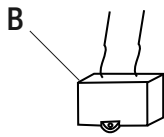
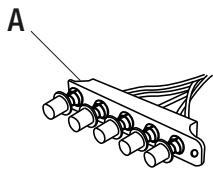
EXTERNAL DIAGRAM OF RANGE HOOD



Service Parts

If you are missing parts or if you require replacement parts, please contact our customer service team at customer.service@conglomkb.com or 1-877-333-0098 (8:30 am – 5 pm, EST, Monday–Friday). Identify the required part(s) and have the part number(s) ready.

ENGLISH



Part	Description	Code	Quantity
A	Control Switch	QHR106	1
B	Capacitor	QHR100	1
C	Light	QHR121	2
D	Light Base	QHR123	2
E	Motor	QHR125	1
F	Fan	QHR109	1
G	Fan Guard	QHR110	1
H	Filter	QHR117	2
AA	Long Tapping Screws (M5 x 12mm)	QHR139	4
BB	Tapping Screws (M4 x 8mm)	QHR132	2

Table de matières

OWNER'S MANUAL	2
Table de matières	19
Consignes de sécurité	19
Garantie	21
Garantie limitée d'un an	21
Procédure de réclamation pour la garantie	21
Préinstallation	22
Outils requis	22
Quincaillerie incluse	22
Contenu de l'emballage	23
Planification de l'installation	24
Installation	27

Fonctionnement	29
Entretien	30
Remplacement des filtres	30
Remplacement des ampoules	30
Soin et nettoyage	31
Hotte de cuisine	31
Filtres	31
Dépannage	32
Caractéristiques	33
Schéma électrique	33
Schéma externe de la hotte de cuisine	34
Pièces de rechange	35

Consignes de sécurité

LIRE ET CONSERVER CES DIRECTIVES

Avertissement - Afin de réduire les risques d'incendie, de choc électrique ou de blessures, veuillez prendre connaissance des directives suivantes:

1. Cet appareil ne peut être utilisé autrement que pour l'usage prévu par le fabricant. Consulter le fabricant pour toutes questions concernant l'appareil.
2. Avant de réparer ou de nettoyer l'appareil, couper l'alimentation électrique au panneau de service et le verrouiller pour éviter toute remise en marche accidentelle. Si vous ne pouvez verrouiller le panneau, y apposer un avertissement bien en vue.
3. L'installation et le raccordement électrique doivent être faits par une(des) personne(s) qualifiée(s), conformément aux codes et normes de construction, incluant ceux concernant les incendies.
4. Un apport d'air suffisant est requis pour assurer une combustion efficace et l'évacuation des gaz pour tous les appareils de cuisson alimentés par un combustible afin d'éviter tout refoulement d'air. Suivre les directives et les normes de sécurité du fabricant des appareils et se conformer aux normes recommandées par *The National Fire Protection Association (NFPA)*, par *American Society for Heating, Refrigeration, and Air Conditioning Engineers (ASHRAE)*, et par les autorités locales.
5. Lorsque vous faites une ouverture dans un mur ou un plafond, veuillez à ne pas endommager les fils électriques ou les conduites qui y sont dissimulés.
6. Les ventilateurs à conduit doivent toujours être ventilés à l'extérieur. Ne jamais évacuer l'air dans les murs, les plafonds, le grenier, les faux plafonds ou les garages.



DANGER : Éteignez le disjoncteur électrique ou l'interrupteur d'alimentation sur la boîte de jonction avant d'installer ou de réparer cet appareil. Toucher un circuit intérieur de la hotte alors qu'il est sous tension peut entraîner des blessures graves, voire mortelles.



DANGER : Tout raccordement électrique doit être fait conformément aux normes, isolé et mis à la terre. L'isolation et la mise à la terre incorrectes entraîneront une décharge électrique mortelle.



DANGER : Pour l'installation au-dessus d'une cuisinière à gaz, le gaz doit être coupé à la source avant l'installation ou l'entretien.



AVERTISSEMENT : Tenter d'installer ou de réparer cet appareil lorsque vous n'avez pas les connaissances techniques ou électriques nécessaires pourrait entraîner des blessures.



AVERTISSEMENT : Les bordures de métal de l'appareil peuvent être tranchantes. Veuillez porter des gants protecteurs pendant l'installation, la nettoyage, ou la réparation.



AVERTISSEMENT : Ne faites pas fonctionner l'appareil sans les grilles de sécurité et les filtres, car sans ces éléments, les ventilateurs pourraient aspirer la chevelure, les doigts ou les vêtements amples.



AVERTISSEMENT : Restez à l'écart du ventilateur lorsque le moteur est en marche.



AVERTISSEMENT : Gardez cet appareil propre et exempt de graisse et d'accumulation de résidus en tout temps pour prévenir les incendies.



PRUDENCE : Cet appareil est destiné à un usage de ventilation de type générale seulement. Ne pas utiliser pour évacuer des matières ou vapeurs dangereuses et explosives.

Consignes de sécurité (suite)

Information sur la sécurité lors de la cuisson

1. Ne jamais laisser sans surveillance lorsqu'en service.
2. Ne jamais cuisiner à flamme nue sous la hotte de cuisinière.
3. Toujours faire fonctionner la hotte de cuisinière lors de la cuisson à haute chaleur ou lors de la cuisson d'aliments flambants.
4. Si vous choisissez d'installer la hotte, comme ci-dessous (Fig. 1), à la distance (D) de la surface de cuisson, prenez des précautions supplémentaires car la hotte peut être très chaude au toucher. Pour cette unité, la distance (D dans la fig. 1) est de 458mm - 710mm (18 po - 28 po). Si vous choisissez une l'installation de 18po., la température de la surface de la hotte sera élevée si l'appareil est utilisé pendant une cuisson à haute puissance pour un certain temps.
5. Soyez prudent lorsque vous cuisinez avec de l'huile ou avec les friteuses. Lorsque vous utilisez de l'huile à friture, l'huile chaude peut facilement surchauffer et prendre feu. Le risque de combustion est plus élevé lorsque l'huile a été utilisée plusieurs fois. Réchauffer lentement les huiles à chaleur faible ou moyenne.
6. Éviter les débordements, car ils peuvent provoquer de la fumée et des débordements gras qui pourraient s'enflammer.
7. Pour éviter les brûlures ou les incendies, toujours utiliser des récipients appropriés à la taille de l'élément chauffant que vous utilisez.
8. En cas d'incendie de cuisinière, veuillez suivre les directives suivantes :
 - Attention à ne pas vous brûler.
 - Éteignez les flammes avec un couvercle hermétique, une plaque à biscuits ou un plateau de métal et éteindre le feu. Si les flammes ne s'éteignent pas immédiatement, évacuez les lieux et appelez le service des incendies.
 - Ne jamais prendre une casserole en flammes avec vos mains.
 - Ne jamais utiliser d'eau pour éteindre un feu, non plus qu'un linge ou une serviette humide qui risque de provoquer une explosion de vapeur.
 - Utilisez un extincteur seulement si : (a) Vous savez que votre extincteur est de catégorie ABC et que vous savez l'utiliser, (b) l'incendie est mineur et limité à la zone où il a débuté, (c) vous avez fait appel au service des incendies, et (d) Vous pouvez tenter d'éteindre l'incendie tout en ayant l'option de vous diriger sans entrave vers une sortie proche.

Informations sur la sécurité lors du nettoyage

1. Les filtres doivent être nettoyés périodiquement pour éliminer l'accumulation de résidus de cuisson. Les filtres qui présentent des signes d'usure doivent être changés immédiatement.
2. Ne jamais enlever de pièces à nettoyer. Le démontage ne peut être fait que par une personne qualifiée.



AVERTISSEMENT : Pour réduire le risque d'incendie, n'utiliser que des conduits de métal. Ne jamais utiliser des conduits en plastique.



AVERTISSEMENT : Pour éviter tout risque d'incendie ou de décharge électrique, ne pas brancher cet appareil à un variateur d'intensité à semi-conducteur.



PRUDENCE : Pour usage résidentiel seulement. Ne pas utiliser pour évacuer des substances et vapeurs dangereuses ou explosives.



PRUDENCE : Ne jamais disposer des cendres de cigarette, des substances inflammables, ou de tout autre objet étranger dans les ventilateurs.



PRUDENCE : Il est recommandé de procéder à l'installation avec au moins une autre personne. Un soulèvement inadéquat de la hotte de cuisinière pourrait endommager le produit ou blesser une personne.

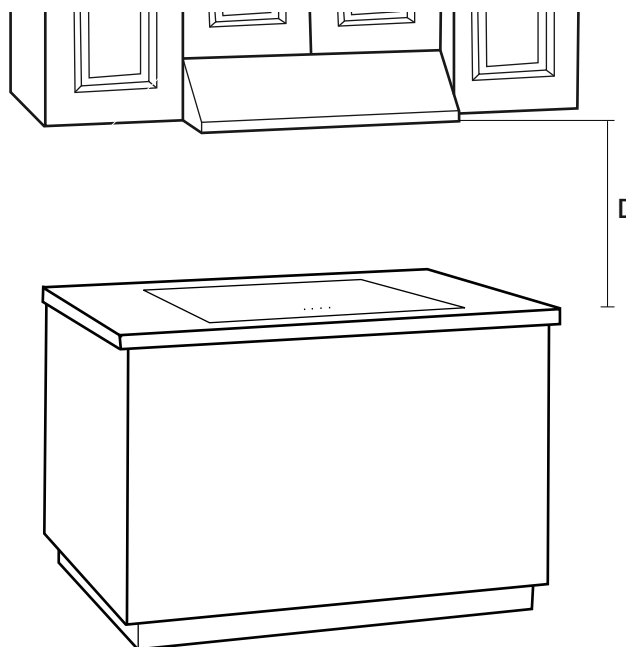


Fig. 1

GARANTIE LIMITÉE D'UN AN

Inspecter minutieusement le produit avant l'installation et signaler tout dommage sans délai. Nous ne serons pas responsables des défaillances ou des dommages qui auraient dû être découverts ou évités par une inspection adéquate et des essais avant l'installation.

Conglom Kitchen and Bath garantit ce produit contre tout défaut dans les matériaux ou la fabrication, pour une période d'un (1) an à compter de la date de l'achat. Une preuve d'achat (facture d'achat originale) du consommateur/acheteur original devra accompagner toute réclamation faite à Conglom Kitchen & Bath.

Cette garantie est non transférable et sera nulle si l'unité est enlevée de son installation initiale ou si elle n'est pas installée suivant les spécifications du fabricant. Elle ne s'applique pas dans l'éventualité de dommages causés au produit suite à l'utilisation de pièce(s) de rechange autre que les pièces originales Conglom Kitchen and Bath, (les pièces de rechange peuvent être obtenus en nous écrivant un courriel à customer.service@conglomkb.com ou en appelant au 1-877-333-0098 entre 8h30 et 17h00, H.N.E.) une erreur d'installation, l'abus, l'utilisation ou l'entretien incorrecte et le service incorrects (qu'ils soient effectués par un plombier, un entrepreneur, une entreprise de service ou un membre de la famille de l'acheteur). La garantie exclut les dommages causés par des conditions agressives d'air ou d'eau, des nettoyants ou des matériaux rudes et/ou abrasifs.

Nous ne pouvons en aucun cas être tenus responsables pour toute blessure corporelle ou tout dommage matériel résultant d'une mauvaise installation ou utilisation de ce produit. Nous ne serons pas tenues responsables de l'incapacité d'utiliser cette unité, des inconvénients, des coûts encourus pour la main d'œuvre, des matériaux, de l'enlèvement et de l'installation des unités de remplacement ou d'aucun autre dommage causé par un incident ou accessoire. Les coûts encourus pour obtenir l'accès pour la réparation ou le remplacement sont la responsabilité de l'utilisateur.

Nos obligations se limitent à la réparation ou au remplacement de l'unité (selon notre choix) qui peut s'avérer, selon notre examen unique, être défectueuse sous l'utilisation et le service normaux pendant la période de garantie. Nous pouvons émettre un crédit au montant de la valeur de la facture du produit défectueux (ou d'un pourcentage de ce montant selon l'usure) tenant lieu de la réparation ou du remplacement.

Toute défectuosité de l'unité qui ne peut être liée à un défaut de matériel ou de fabrication n'est pas couvert par cette garantie. Ces conditions non garanties incluent, mais ne se limitent pas aux suivantes :

- Une mauvaise installation non conforme aux instructions du fabricant.
- Les bosselures, bosses et rayures causées pendant l'expédition, la manutention ou l'installation.
- Changement de la couleur ou du fini en raison de l'usage d'un produit chimique.
- Les dommages causés par le non-respect des directives de soin et de nettoyage, y compris les dommages causés par l'utilisation de produits nettoyants abrasifs.
- Toute modification apportée à l'unité par l'acheteur ou l'installateur.
- Dommages en raison d'un impact accidentel, du feu, d'une inondation, du gel et de l'usure normale.
- Courbures et déformations provoquées par des raccordements forcés, des fixations trop serrées et un support inadéquat pendant l'installation.
- Tout défaut ou dommage aux ampoules électriques.

Cette garantie ne s'applique pas à l'utilisation ou l'installation à des fins commerciales ou institutionnelles.

PROCÉDURE DE RÉCLAMATION POUR LA GARANTIE

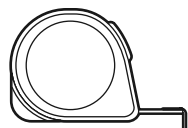
Si un défaut couvert par la garantie se produit ou que vous avez besoin des pièces de rechange, contacter notre service à la clientèle au customer.service@conglomkb.com ou au 1-877-333-0098 (lundi au vendredi, 8h30 à 17h, H.N.E.).

Avant d'appeler, veuillez-vous assurer d'avoir en main :

- Numéro de modèle ou une description.
- La preuve d'achat.
- Les détails concernant le défaut et/ou le numéro de la pièce de rechange.
- Le nom et l'adresse du propriétaire et/ou de l'installateur.

Préinstallation

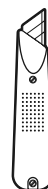
OUTILS REQUIS



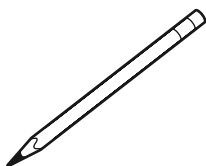
Ruban à mesurer



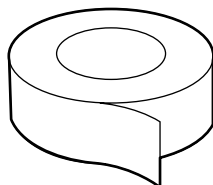
Niveau



Couteau tout usage



Crayon



Ruban adhésif



Clé à molette



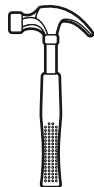
Tournevis Phillips



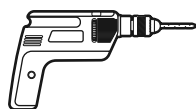
Tournevis plat



Pinces à bec effilé



Marteau



Tournevis électrique



Lunettes de sécurité

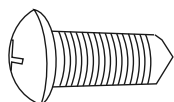


Gants de sécurité

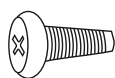
QUINCAILLERIE INCLUSE

REMARQUE :

La quincaillerie montrée n'est pas de taille réelle.



AA

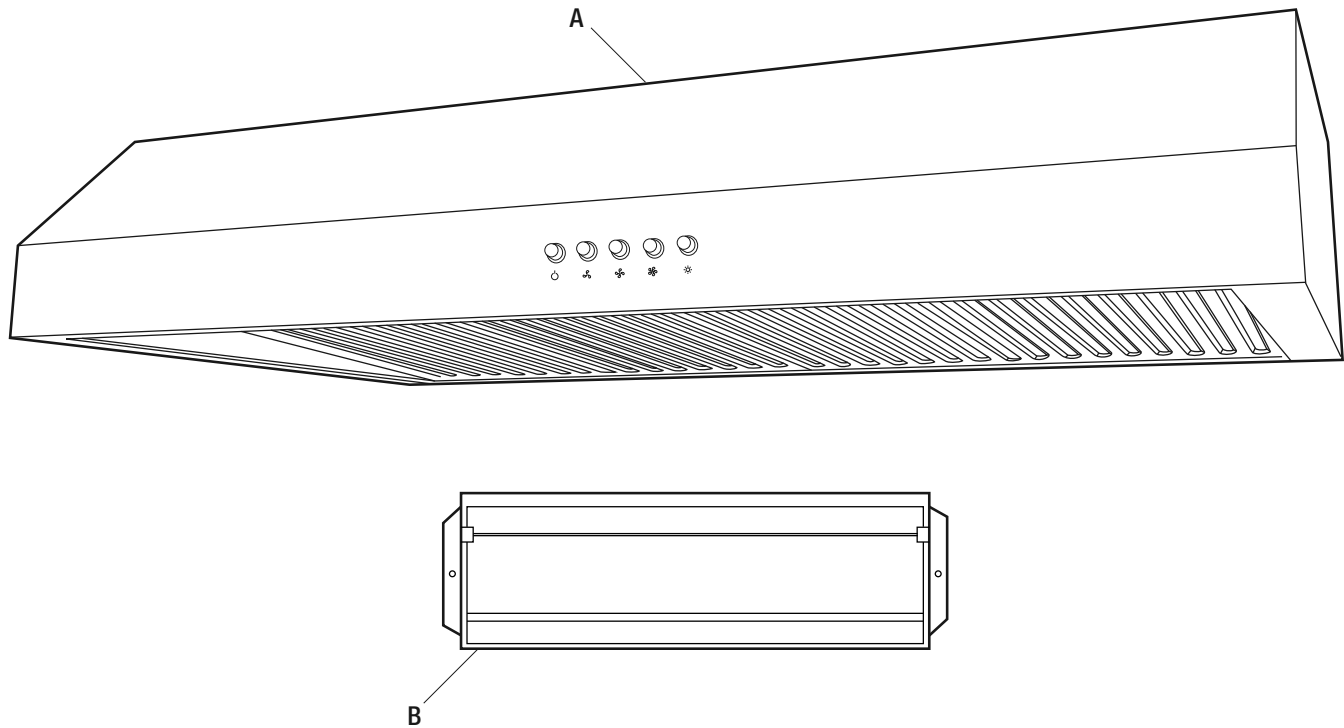


BB

Pièce	Description	Quantité
AA	Vis taraudeuses longues - (M5 mm x 12 mm)	4
BB	Vis taraudeuses courtes - (M4 mm x 8 mm)	2

Préinstallation (suite)

CONTENU DE L'EMBALLAGE



Pièce	Description	Quantité
A	Hotte de cuisinière	1
B	Clapet (à l'intérieur de la hotte)	1

Préinstallation (suite)

PLANIFICATION DE L'INSTALLATION

Nombre de personnes requises : 2 ou plus

Vérifier soigneusement la hotte de cuisinière pour tout dommage et pour toutes pièces manquantes avant l'installation. S'il y a des dommages ou des pièces manquantes, ne pas procéder à l'installation. Signaler tous dommages ou toutes pièces manquantes immédiatement. Ne disposez pas de l'emballage jusqu'à ce que vous soyez satisfait de votre nouvelle hotte de cuisinière.

1. Avant l'installation, mesurer toutes les distances ci-dessous pour assurer la position appropriée de la hotte de cuisinière.
 - La distance (1) de la surface de cuisson à la hotte de cuisinière doit être d'au moins 18 po. (458 mm). Pour un rendement optimal, la hotte de cuisinière ne doit pas être installée à plus de 28 po. (710 mm) de la surface de cuisson.
 - La mesure (3) devrait être d'au moins 30 po. (762mm). La hotte devrait être d'environ la même taille que la surface de cuisson.
2. Si le dessous de l'armoire (6) située au-dessus de l'endroit où la hotte doit être installée est en retrait, fixer des baguettes de bois (7) de taille appropriée de chaque côté à l'aide de vis à bois.
3. Des vis sont fournies pour fixer la hotte de cuisinière à la plupart des types d'armoires. Consulter un installateur qualifié pour vérifier que les vis fournies sont appropriées pour vos armoires.
4. Placer une protection épaisse sur le comptoir et la surface de cuisson pour éviter de les endommager ou de les salir. Retirer tous objets qui risquent de gêner lors de l'installation.

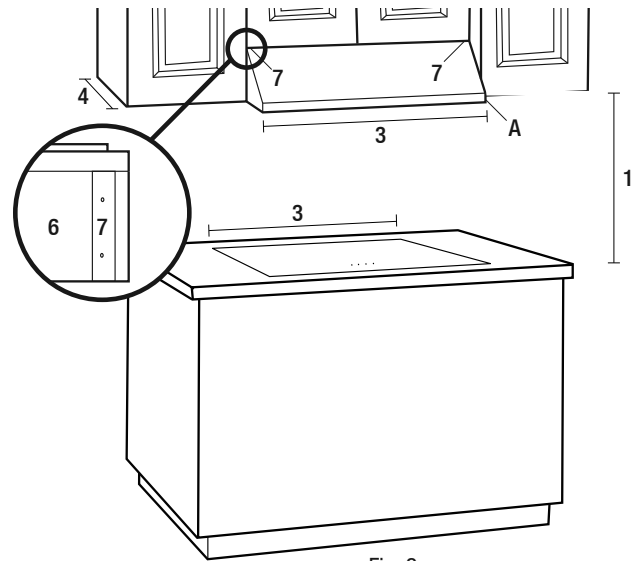


Fig. 2

OPTIONS DE VENTILATION

- A. Déterminer si votre système de ventilation existant évacue l'air par le haut ou par l'arrière. Veiller à ce que les ouvertures dans l'armoire ou dans le mur pour le clapet et pour l'accès à l'électricité sont à des endroits appropriés et sont de tailles appropriées. Voir la Fig. 3 si votre ventilation est par le haut ou voir Fig.4 si elle est par l'arrière.
- B. S'il s'agit d'une nouvelle installation, choisir la méthode d'évacuation qui convient à vos besoins. Découper des ouvertures pour le clapet et l'accès à l'électricité dans la partie inférieure de l'armoire ou sur le mur extérieur, en fonction de la direction de l'évacuation choisie.

Ventilation par le haut

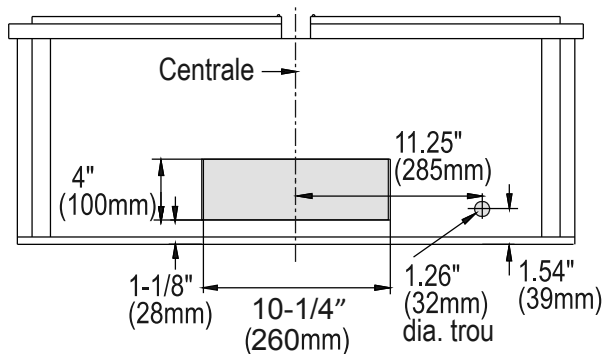


Fig.3

Ventilation par l'arrière

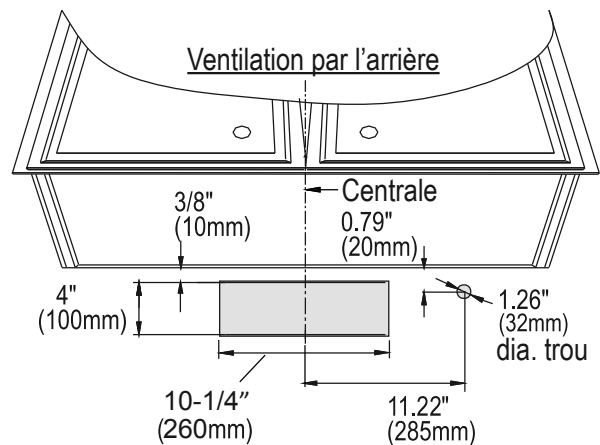


Fig.4

Préinstallation (suite)

Suivre ces lignes directrices lors de l'installation de conduits :

- Votre système de ventilation doit évacuer à l'extérieur, soit horizontalement à travers le mur arrière (13) ou verticalement à travers le toit (14) (Voir la Fig. 5/ Fig. 6/ Fig. 7).
- Calculer la longueur des conduits en additionnant les longueurs dans le tableau (Fig. 8) pour chaque pièce du conduit dans le système.
- Utiliser des conduits ronds en métal d'un diamètre uniforme de 6 po. (152 mm). La course totale des conduits dans le système de ventilation devrait pas dépasser 10,7 m (35 pi).
- Fixer toutes les connexions avec des vis de métal et sceller tous les joints avec du ruban adhésif en toile.
- Si vous devez faire tourner la trajectoire du conduit en utilisant des coudes, maintenir le nombre de coudes au minimum pour un rendement efficace et ne pas utiliser plus de trois coudes de 90°. S'assurer qu'il y a un minimum de 18 po. (458 mm) de conduit rectiligne entre chaque coude. Placer le coude aussi loin que possible de l'ouverture de sortie d'air de la hotte de cuisinière.
- Placer un capuchon à l'extrémité extérieure du conduit à l'aide d'un capuchon mural (15) ou d'un capuchon de toit (16). Ne pas utiliser de capuchons de 4 po. (102 mm) pour le sèche-linge. Utiliser un produit calfeutrant pour sceller les ouvertures extérieures autour du capuchon sur le toit ou le mur.
- Le système de ventilation devrait être muni d'un clapet. Si le capuchon de toit ou de mur se termine par un clapet, nous vous recommandons de ne pas utiliser le clapet fourni avec la hotte de cuisinière.

Horizontal Wall Venting

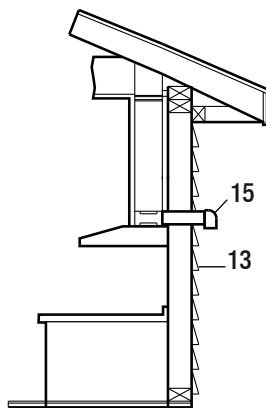


Fig.5

Horizontal Wall Venting

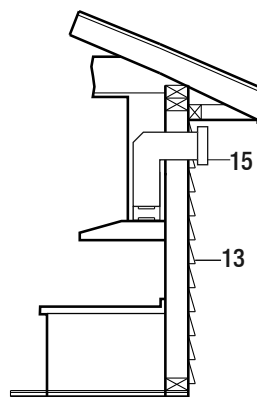


Fig.6

Vertical Roof Venting

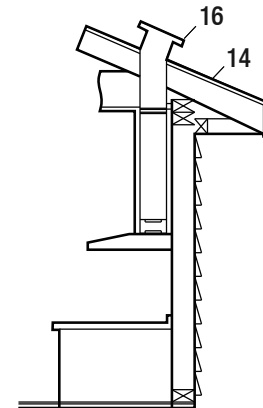


Fig.7

Tableau des longueurs équivalentes

Type de conduit	Longueur ajoutée
Coude de 90°	5 pi (1.52 m)
Conduit plat à angle de 90°	12 pi (3.66 m)
2 x Coude de 90°	10 pi (3.05 m)
Conduit droit de 9 pi (2.74 m)	9 pi (2.74 m)
Capuchon mural	0 ft (0 m)

Fig. 8

Préinstallation (suite)

EXIGENCES POUR CONNEXIONS DE CÂBLAGES

Les travaux d'installation et le câblage électrique doivent être effectués par une personne qualifiée et en conformité avec tous les codes et normes applicables, y compris la résistance au feu.

VEUILLEZ RESPECTER TOUS LES CODES ET NORMES EN VIGUEUR :

- Cette hotte de cuisine doit être mise à la terre. Vérifiez auprès d'un électricien qualifié si vous n'êtes pas certain que la hotte est correctement mise à la terre.
- Le manque de se conformer aux exigences électriques peut résulter en un incendie.
- Un fusible dans le circuit neutre ou de mise à la terre peut résulter en un choc électrique.
- Si le tuyau d'eau chaude/froide est interrompu par des joints d'étanchéités en plastiques, non métalliques ou d'autres matières, ne pas utiliser pour mettre à la terre.

*** NE PAS METTRE À LA TERRE EN RELIANT À UNE CONDUITE DE GAZ.

ATTENTION : Il incombe au client de s'adresser à un électricien qualifié et de s'assurer que l'installation électrique est conforme aux normes fixées par le National Electrical Code, aux normes CSA et respecte tous les codes et règlements locaux.

1. Conserver les directives d'installation qui sont utiles lors de la vérification par un inspecteur en électricité.
2. Si les codes le permettent et que l'on procède à une mise à la terre en utilisant un conducteur spécifique, il est recommandé de demander à un électricien qualifié de déterminer le circuit adéquat pour la mise en terre.
3. Ne pas utiliser de rallonge électrique ou de raccord pour cet appareil.
4. La hotte ne peut être connectée que seulement avec des fils de cuivre.
5. Raccorder la hotte directement à la boîte de jonction ou de la boîte du disjoncteur d'un câble en cuivre flexible, gainé ou non métallique. Laissez un peu de mou dans le câble pour que l'appareil puisse être déplacé si l'entretien est toujours nécessaire.
6. Branchez un connecteur de circuit homologué UL ou CSA à chaque extrémité du câble d'alimentation (à la hotte et à la boîte de jonction).
7. Lorsque vous faites la connexion électrique, tailler une ouverture de 1.25 po. (3.2 cm) dans le mur. Une ouverture pratiquée dans le bois doit être sablée jusqu'à ce que la surface soit lisse, tandis que vous devez installer un passe-câble dans l'ouverture pratiquée dans le métal.
8. Lorsque vous faites une ouverture dans un mur ou un plafond, veillez à ne pas endommager les fils électriques ou les conduites qui y sont dissimulés.
9. Le gabarit du câble doit respecter les exigences fixées par le National Electrical Code ANSI/NFPA 70, ou les normes CSA C22.1-94, le code canadien de l'électricité Parti 1 et C22.2 no 0-M91 et tous les codes et normes locaux.



DANGER : Risque de choc électrique. La hotte doit être mise en terre adéquatement.



DANGER : Éteignez le disjoncteur électrique ou l'interrupteur d'alimentation sur la boîte de jonction avant d'installer cet appareil. Toucher un circuit intérieur de la hotte alors qu'il est sous tension peut entraîner des blessures graves, voire mortelles.

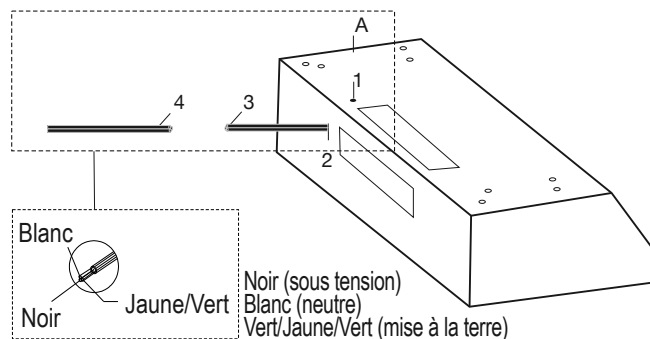


DANGER : Tout raccordement électrique doit être fait conformément aux normes, isolé et mis à la terre. L'isolation et la mise à la terre incorrectes entraîneront une décharge électrique mortelle.

REMARQUE :

Connecter le filage de façon temporaire et faire l'essai pour s'assurer que l'appareil fonctionne correctement. Si la hotte de cuisinière ne fonctionne pas correctement ne pas poursuivre l'installation.

- Utiliser le câble d'alimentation pour relier la hotte (A) directement à la boîte de jonction ou au disjoncteur. Seulement utiliser un câble en cuivre blindé flexible, ou non métallique gainé. Ne jamais utiliser de rallonge électrique ou de raccord pour cet appareil.
- Connecter un connecteur de conduit homologué UL ou approuvé par la CSA à chaque extrémité du câble d'alimentation électrique (à la hotte et à la boîte de jonction). Raccorder les trois fils de couleur (3) de la hotte (A) aux fils correspondants (4) de la source électrique : le noir au noir (sous tension), le blanc au blanc (neutre), et le vert/jaune au vert/jaune (mise à la terre). Utiliser soit le trou du haut (1) ou le trou arrière (2) de la hotte en fonction de votre type d'installation.
- Mettre l'appareil sous tension et vérifier le bon fonctionnement des lumières et du ventilateur.
- Une fois que vous avez testé la connexion électrique, débrancher le câble d'alimentation et les fils de la source électrique avant de procéder avec le reste de l'installation.



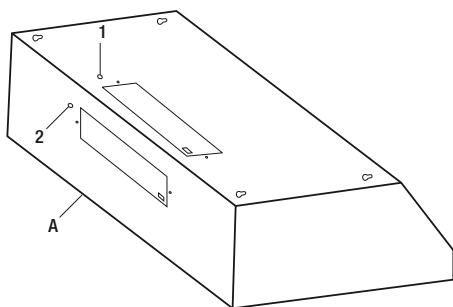
Installation

RETRAIT DU DISQUE DÉFONÇABLE DE CÂBLAGE ÉLECTRIQUE



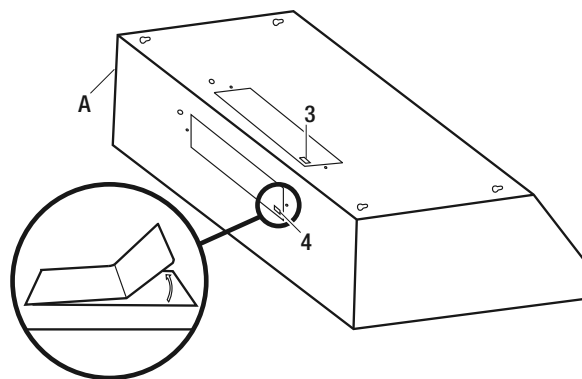
AVERTISSEMENT : Toujours porter des lunettes et des gants de sécurité pendant l'installation.

- Choisir le trou défonçable de câblage électrique approprié à enlever selon votre type d'installation. Utiliser le trou supérieur (1) pour une installation de ventilation par le dessus et le trou arrière (2) pour une installation de ventilation par l'arrière.
- Utiliser un marteau et un tournevis plat pour doucement retirer le disque défonçable de câblage électrique.



RETRAIT DU TROU DÉFONÇABLE DE VENTILATION

- Choisir le disque défonçable de ventilation à retirer selon votre type d'installation. Utiliser le trou supérieur (3) pour une installation de ventilation par le dessus et le trou arrière (4) pour une installation de ventilation par l'arrière.
- Retirer doucement le couvercle (3 ou 4) du trou de ventilation approprié en utilisant un tournevis à tête plate ou d'une pince à bec effilé. Faire très attention de ne pas laisser de morceaux à l'intérieur de la hotte (A).



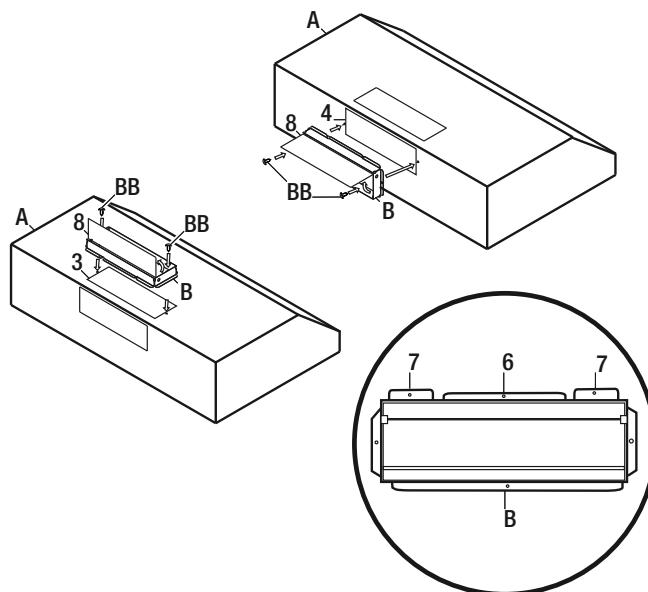
INSTALLATION DU CLAPET

REMARQUE :

Seulement installer le clapet si vous utilisez un système de ventilation qui ne possède pas déjà un clapet.

Si cette hotte de cuisinière remplace une unité existante, l'emplacement de la sortie d'air peut varier d'un fabricant à l'autre. S'assurer que le clapet s'ajuste dans l'ouverture existante avant l'installation.

- Choisir d'installer le clapet (B) soit dans la position du haut (3) pour l'évacuation par le dessus ou dans la position arrière (4) pour évacuer vers l'arrière.
- Insérer le clapet (B) dans le trou choisi dans la hotte (A), de sorte que le volet central (6) pénètre dans le trou tandis que les deux volets latéraux (7) restent au-dessus du trou.
- Soulever le couvercle (8) du clapet (B). Visser le clapet (B) à la hotte de cuisinière (A) avec les deux courtes vis taraudeuses (BB).
- Sceller le clapet (B) de la hotte de cuisinière (A) sur les quatre côtés avec du ruban adhésif de conduit.



Installation (suite)

INSTALLATION DE LA HOTTE DE CUISINIÈRE

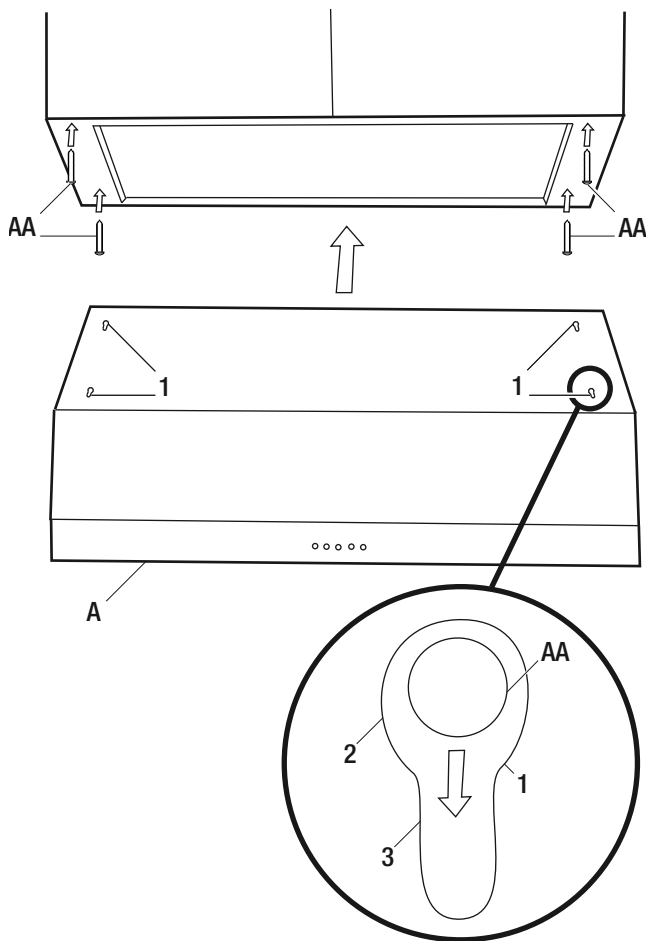


DANGER: Éteignez le disjoncteur électrique ou l'interrupteur d'alimentation sur la boîte de jonction avant d'installer cet appareil. Toucher un circuit intérieur de la hotte alors qu'il est sous tension peut entraîner des blessures graves, voire mortelles.



DANGER: Pour l'installation au-dessus d'une cuisinière à gaz, le gaz doit être coupé à la source avant l'installation ou l'entretien.

- Soulever la hotte de cuisinière (A) pour la placer en dessous de l'armoire et déterminer sa position finale. Marquer l'emplacement des quatre fentes de montage en trou de serrure (1) sur la face inférieure du dessous de l'armoire.
- Mettre la hotte de cuisinière (A) de côté sur une surface protégée.
- Percer les quatre trous pilotes aux positions marquées.
- Visser les quatre vis taraudeuses longues (AA) dans les trous pilotes. Ne pas serrer les vis jusqu'au bout – laisser dépasser la tête de vis d'environ 7 mm (0,28 po) de la surface de l'armoire.
- Soulever la hotte (A) en position en passant le câble d'alimentation et les fils électriques à travers l'ouverture d'accès électrique. Prévoir une quantité suffisante de câble pour permettre le déplacement de l'appareil lors de toute réparation si nécessaire.
- Positionner la hotte de cuisinière (A) de sorte que la partie plus large (2) des encoches en trou de serrure (1) soit placée au dessus les vis (AA). Pousser la hotte de cuisinière (A) vers le mur de sorte que les vis (AA) soient insérées dans le col (3) des encoches. Serrer les vis (AA). S'assurer que la hotte de cuisinière (A) soit solidement fixée à l'armoire avant de la libérer.
- Si applicable, faire l'essai de la lame du clapet pour s'assurer qu'elle tourne librement vers le haut et vers le bas.
- S'il y a lieu, brancher le conduit d'évacuation à la hotte de cuisinière (A). Sceller les joints avec du ruban adhésif, en assurant un ajustement hermétique.
- Rebrancher le câble d'alimentation et les fils à l'alimentation électrique.



ÉTAPE FINALE

- Mettre la hotte en marche et s'assurer que les lumières et le ventilateur fonctionnent correctement.

Fonctionnement

REMARQUE:

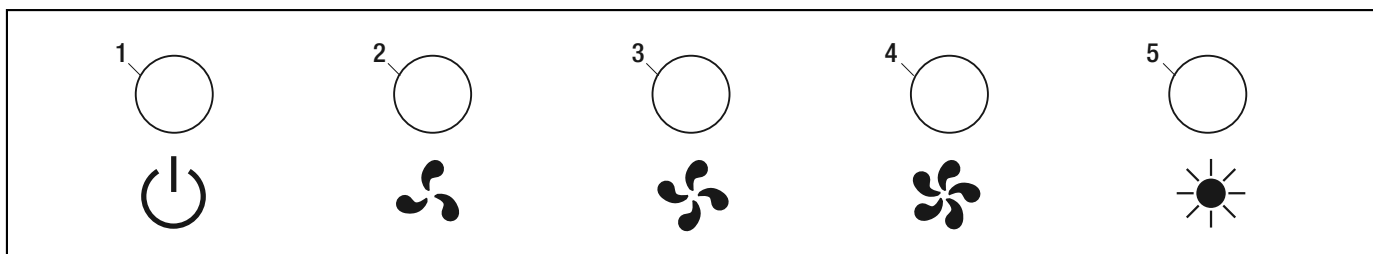
Le ventilateur et les lumières sont gérés indépendamment les uns des autres.

MISE EN MARCHÉ/ARRÊT DE L'UNITÉ

- Pour mettre le ventilateur en fonction, appuyer sur le commutateur de contrôle de vitesse [basse vitesse (2), vitesse moyenne (3), haute vitesse (4)] pour sélectionner le niveau de puissance souhaité. Lorsque vous appuyez sur un bouton, le mode de vitesse précédent est annulé.
- Appuyer sur l'interrupteur (1) pour éteindre le ventilateur.

ALLUMER/FERMER LA LUMIÈRE

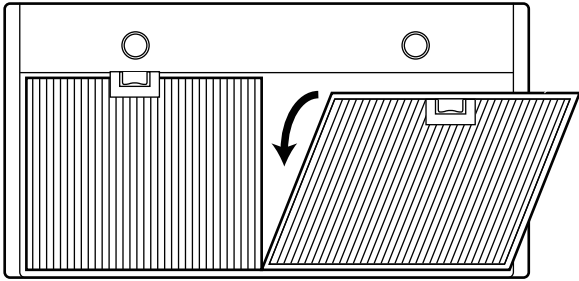
- Appuyer sur le bouton d'éclairage (5) pour éteindre les lumières.



REPLACEMENT DES FILTRES

Lorsque les filtres doivent être remplacés, changez les par des filtres similaires qui ont des clips en acier inoxydable. Remplacer également les filtres endommagés présentant des perforations, des déformations ou des cadres brisés.

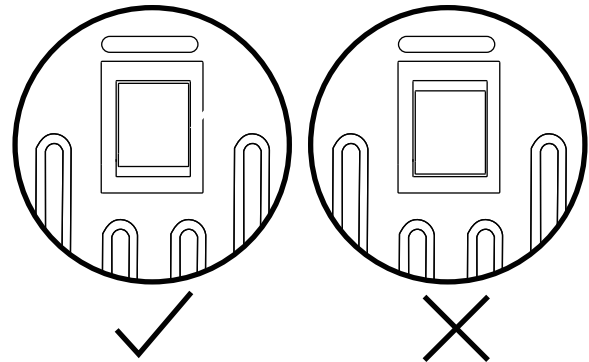
- Désactiver la hotte de cuisinière.
- Remplacer avec un filtre équivalent.



DANGER: Éteignez le disjoncteur électrique ou l'interrupteur d'alimentation sur la boîte de jonction avant d'installer cet appareil. Toucher un circuit intérieur de la hotte alors qu'il est sous tension peut entraîner des blessures graves, voire mortelles.



AVERTISSEMENT : Ne pas remplacer les filtres usés ou endommagés accroît le risque d'incendie.



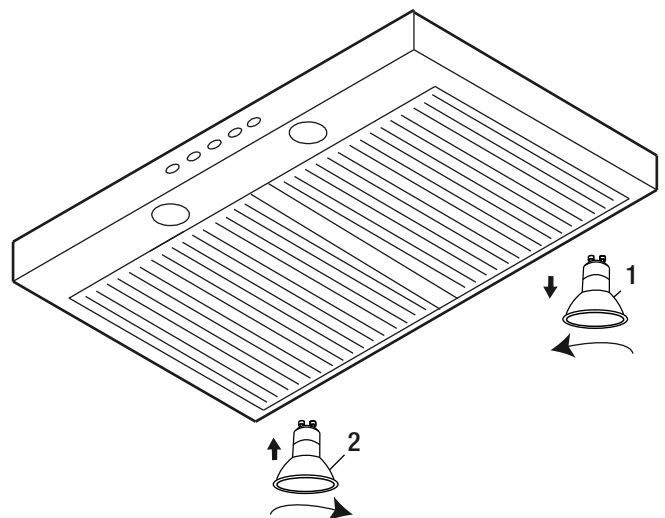
REPLACEMENTS DES AMPOULES

Lorsque les ampoules cessent d'éclairer, les remplacer par des ampoules de 25W ou 35W / JDR 16, GU10 avec bases à verrouillage en tournant.

- Éteindre la hotte de cuisinière et s'assurer que les ampoules soient refroidies.
- Tourner l'ampoule (1) dans le sens antihoraire et tirer pour l'enlever.
- Pousser la nouvelle ampoule (2) en place et la tourner dans le sens horaire. Ne pas relâcher l'ampoule jusqu'à ce que vous soyez sûr que l'ampoule soit fermement installée.
- Si les nouvelles ampoules ne fonctionnent pas, s'assurer que l'ampoule soit insérée correctement.



AVERTISSEMENT : Les ampoules peuvent être très chaudes. Fermer le contact et attendre qu'elles se soient refroidies avant de les manipuler. Les ampoules chaudes peuvent causer de graves brûlures.



Soin et nettoyage

HOTTE DE CUISINIÈRE



AVERTISSEMENT : Le fait de ne pas faire les tâches de soin et de nettoyage de la hotte de cuisinière peut accroître le risque d'incendie.

La hotte de cuisinière doit être nettoyée régulièrement (à l'intérieur et à l'extérieur) afin de préserver son apparence et son fonctionnement.

À faire :

- Toujours nettoyer dans le sens des lignes du poli.
- Nettoyez régulièrement avec de l'eau chaude savonneuse et un chiffon de coton propre.
- Toujours bien rincer deux ou trois fois à l'eau claire après le nettoyage. Sécher complètement avec un chiffon doux et non abrasif.
- Après le nettoyage, vous pouvez utiliser un polissant/nettoyant pour acier inoxydable non abrasif. Pour polir, toujours frotter légèrement dans la direction des lignes de poli.
- S'assurer que le système de conduits reste libre de débris.

À ne pas faire :

- Ne pas utiliser de détergents corrosifs ou abrasifs, de laine d'acier ou de tampons à récurer. Ceux-ci rayeront et endommageront la surface en acier inoxydable.
- Ne pas utiliser de détergents corrosifs ou abrasifs ou des produits contenant du chlorure, fluorure, iode ou bromure, car ces substances vont rapidement détériorer la surface.
- Ne pas permettre aux produits de nettoyage, solutions salines, désinfectants ou agents de blanchiment de rester en contact avec l'unité pour de longues périodes.
- Ne pas laisser les dépôts rester pendant de longues périodes de temps. Rincer avec de l'eau après l'exposition et essuyer avec un chiffon propre.
- Ne pas laisser la hotte de cuisinière sale pendant de longues périodes ou permettre à la saleté de s'accumuler.
- Lors de travaux de construction ou de rénovation, recouvrir la hotte de cuisinière.
- Les produits combustibles utilisés pour le nettoyage, tels que l'acétone, l'alcool, l'éther ou le benzol, sont très explosifs et ne doivent jamais être utilisés près d'une cuisinière.

FILTRES

Les filtres installés en usine sont destinés à filtrer les résidus et la graisse de cuisson. Ils n'ont pas besoin d'être remplacés sur une base régulière, mais doivent être maintenus propres.

À faire :

- Nettoyer les filtres une fois par mois à l'aide de détergents non abrasifs, soit à la main ou dans le lave-vaisselle. Lorsqu'un lave-vaisselle est utilisé, celui-ci doit être réglé à une température basse et à un cycle court. Les filtres peuvent se décolorer dans le lave-vaisselle, mais cela n'affecte pas leur rendement.
- Sécher les filtres avant de les réinstaller dans la hotte.

À ne pas faire :

- Ne pas laisser accumuler d'huile sur plus de 80% de la surface du filtre. Les accumulations risquent de faire tomber de l'huile sur la cuisinière.

Dépannage



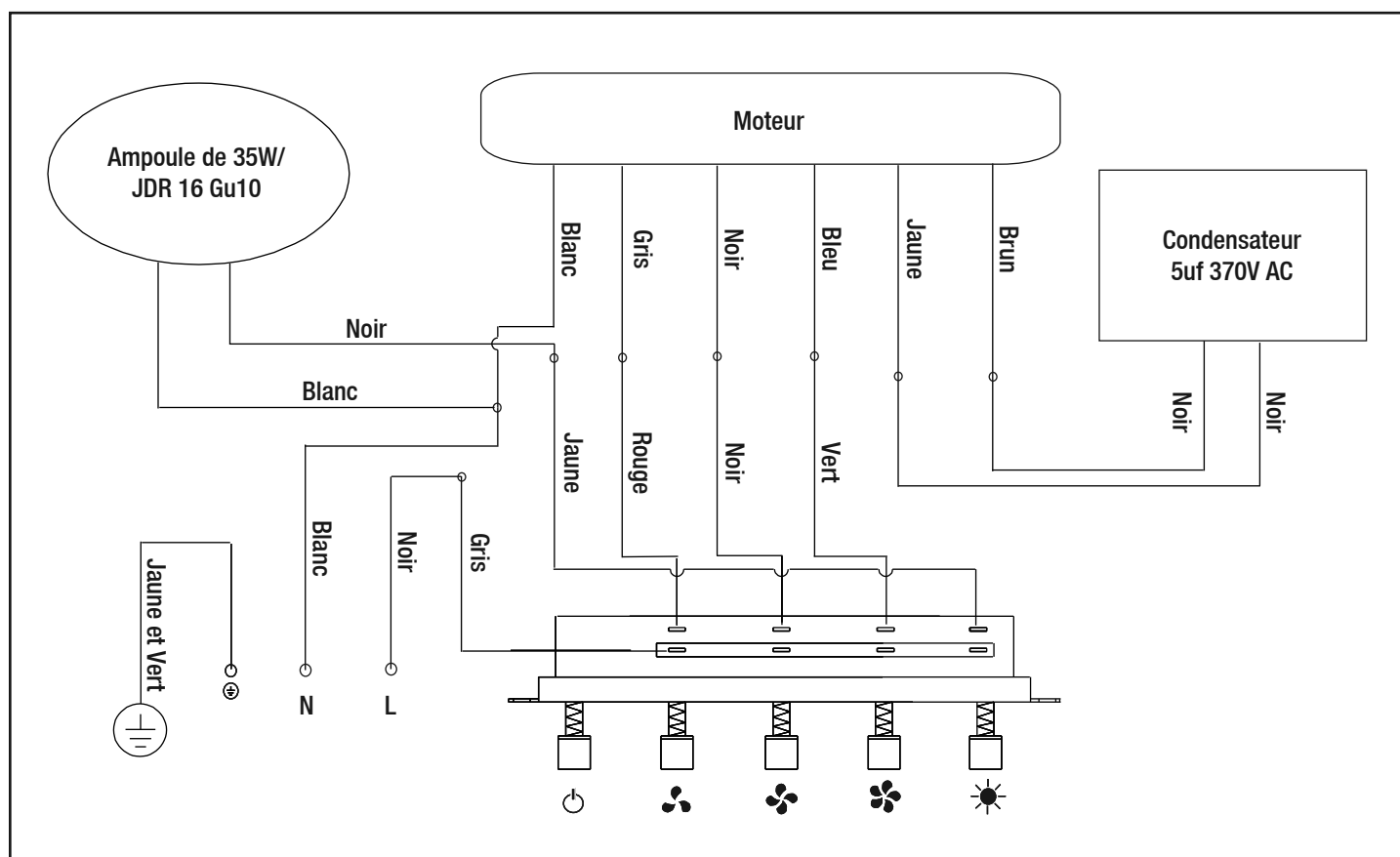
DANGER: Éteignez le disjoncteur électrique ou l'interrupteur d'alimentation sur la boîte de jonction avant de réparer cet appareil. Toucher un circuit intérieur de la hotte alors qu'il est sous tension peut entraîner des blessures graves, voire mortelles.

Problème	Solution
La hotte de cuisinière ne fonctionne pas.	<ul style="list-style-type: none">- Vérifier que le câble d'alimentation et tout le câblage électrique soient correctement raccordés.- Vérifier que l'électricité soit activée à la boîte de jonction et au disjoncteur.- Vérifier que les fils du commutateur sont correctement branchés au tableau de contrôle.
La hotte de cuisinière vibre lorsque le ventilateur fonctionne.	<ul style="list-style-type: none">- Vérifier que la hotte de cuisinière ait été fermement fixée au mur. Serrer la hotte en position, si nécessaire.- Vérifier la fixation du moteur. Resserrer si nécessaire.- Vérifier que la roue de ventilateur ne soit pas endommagée et la changer si nécessaire.
Le ventilateur fonctionne au ralenti.	<ul style="list-style-type: none">- Vérifier que le conduit utilisé fasse au moins 152 mm (6 po). La hotte de cuisinière ne fonctionnera pas efficacement si le conduit n'est pas suffisamment grand.- Vérifier que le conduit ne soit pas obstrué par des débris et que le maillage serré sur le capuchon de mur, si applicable, ne restreint pas le flux d'air.- Vérifier que le clapet s'ouvre correctement.- Assurez-vous qu'il n'y ait aucun oiseau ou autre animal qui y ait fait son nid.
Les lumières fonctionnent, mais le ventilateur ne tourne pas, semble coincé ou vibre.	<ul style="list-style-type: none">- Le système de protection thermique détecte une surchauffe du moteur et coupe le circuit électrique. Dans ce cas, le moteur redémarrera lorsque le système de protection thermique se sera refroidi (après approximativement 10 minutes).- Vérifier que le ventilateur ne soit pas bloqué et ne racle pas le fond.- Si rien d'autre ne fonctionne, le moteur peut être défectueux ou saisi. Un changement de moteur est nécessaire.
La hotte de cuisinière n'évacue pas l'air correctement.	<ul style="list-style-type: none">- Assurez-vous qu'il n'y a aucun oiseau ou autre animal qui y aient fait son nid.- Vérifier que la distance entre la partie inférieure de la hotte de cuisinière et la surface de cuisson se situe entre 458 mm et 710 mm (18 et 28 po).- Vérifier que le conduit réponde à toutes les exigences. Utiliser un conduit rond en métal d'un diamètre uniforme de 152 mm (6 po). La course du conduit ne doit pas dépasser 10,7 m (35 pi). Réduire la longueur des conduits et le nombre de coudes, si nécessaire. Vérifier que tous les joints soient connectés correctement, scellés et recouverts de ruban adhésif.- Vérifier que le conduit ne s'ouvre pas contre le vent.- Utiliser la puissance maximum lorsque la chaleur de cuisson est intense.- Le vent provenant d'une fenêtre ou d'une porte ouverte à proximité nuit au bon fonctionnement de la hotte de cuisinière. Fermer toutes les fenêtres et les portes pour éliminer tout courant d'air.- Pour améliorer la performance de la hotte, ouvrir légèrement une fenêtre se trouvant sur le côté opposé de la maison.
Une ampoule ne fonctionne pas.	<ul style="list-style-type: none">- Vérifier si l'ampoule est brûlée. Si oui, remplacer la.- Vérifier si l'ampoule est bien vissée. Visser à fond au besoin.- Retirer l'ampoule et en insérer une que vous savez être fonctionnelle. Si l'ampoule qui fonctionne correctement ne s'allume pas, le problème peut être l'assemblage de la lumière. Réparer ou remplacer l'assemblage de lumière.

Caractéristiques

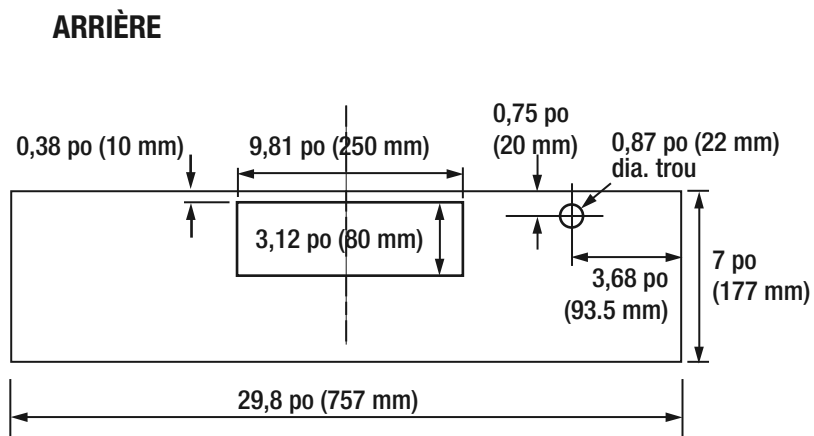
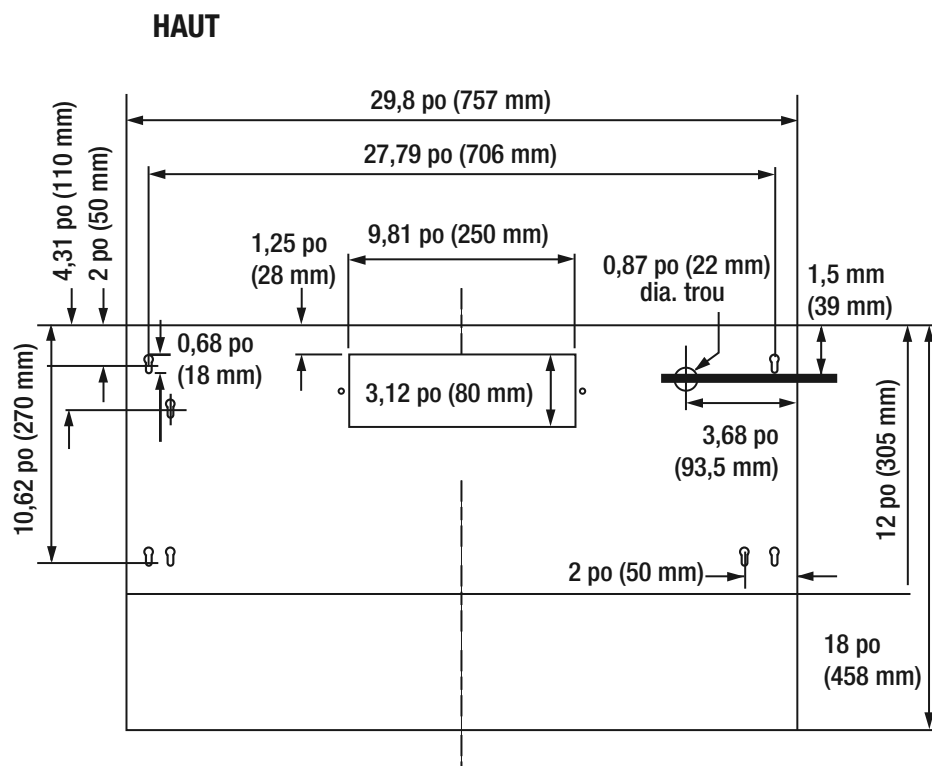
Modèle	Dimensions	Puissance	Type de contrôle	CFM	Vitesses	Puissance d'ampoule électrique	Option de ventilation
QR044	29.8 po. (757 mm) L	120~60Hz 1.5A	Bouton- Poussoir	380 ± 10%	Haute	2 x Max. 25W ou 35W/ JDR 16, GU10 à base tournante	Ventilation par le haut Ventilation par l'arrière
	Moyenne						
	Basse						

SCHÉMA ÉLECTRIQUE



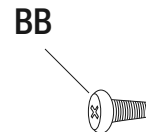
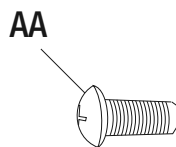
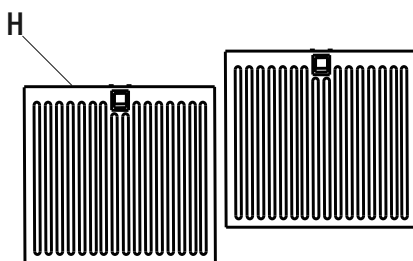
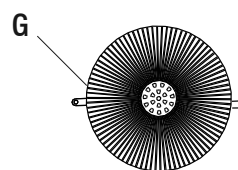
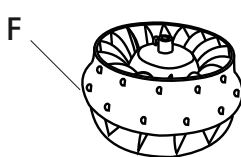
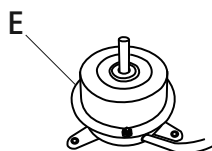
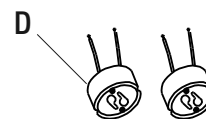
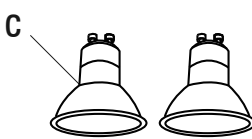
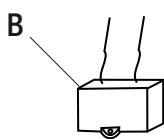
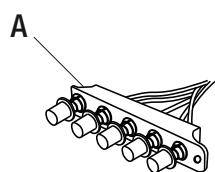
Caractéristiques (suite)

SCHEMA EXTERNE DE LA HOTTE DE CUISINIÈRE



Pièces de rechange

Si des pièces sont manquantes ou si vous avez besoin de pièces de rechange, veuillez nous contacter au customer.service@conglomkb.com ou 1-877-333-0098 (lundi au vendredi, 8h30 à 17h, HNE). Veuillez identifier les pièces nécessaires et ayez les codes à portée de main.



Pièce	Description	Code	Quantité
A	Commutateur de commande	QHR106	1
B	Condensateur	QHR100	1
C	Lumière	QHR121	2
D	Base de lumière	QHR123	2
E	Moteur	QHR125	1
F	Ventilateur	QHR109	1
G	Protège ventilateur	QHR110	1
H	Filtres	QHR117	2
AA	Vis taraudeuses longues (M5 x 12mm)	QHR139	4
BB	Vis taraudeuses courtes (M4 x 8mm)	QHR132	2

Imported by / Importé par :



St-Laurent, Québec, H4S 2C3

1-877-333-0098 | customer.service@conglomkb.com

(service available in English and French, Monday - Friday from 8:30am - 5pm EST)

(service disponible en anglais et français, du lundi au vendredi, 8h30 à 17h, H.N.E.)

www.conglomkb.com

Made in China / Fabriqué en Chine

