

- 1.- Make sure that your faucet is turned off.
- 2.- Take the faucet head #16 off.
- 3.- Holding the hose close to the sink, turn the faucet on.
- 4.- If there is no water that goes through, then it is the bottom check valve that has failed. Re-assemble the faucet head and go to step 10.

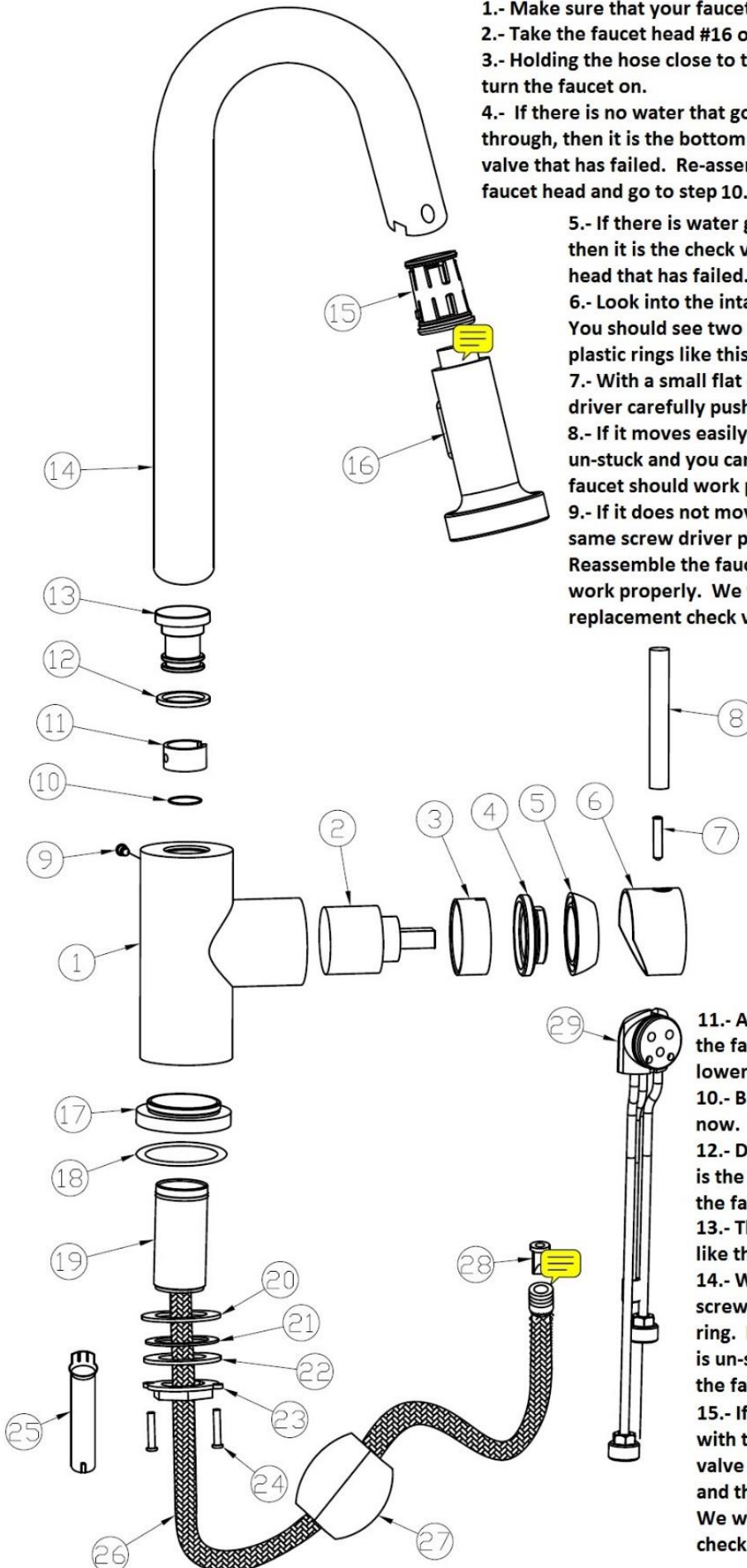
5.- If there is water going through the hose, then it is the check valve that is in the faucet head that has failed.

6.- Look into the intake of the faucet head. You should see two white concentric plastic rings like this.

7.- With a small flat or Robertson screw driver carefully push the center ring.

8.- If it moves easily in, then the valve is un-stuck and you can reassemble. The faucet should work properly.

9.- If it does not move easily then with the same screw driver pry the valve out. Reassemble the faucet and the faucet should work properly. We will send you a replacement check valve.



11.- As you did not get water when the faucet head was off, then the lower check valve has failed.

10.- Be sure that the faucet is off now.

12.- Disassemble hose #26 which is the hose that takes the water to the faucet head.

13.- The intake of the hose should look like this, 2 concentric plastic rings.

14.- With a small flat or Robertson screwdriver carefully push the center ring. If it moves easily then the valve is un-stuck. Reassemble the hose and the faucet should work properly.

15.- If it does not move easily, then with the same screw driver pry the valve #28 out. Reassemble the hose and the faucet should work properly. We will send you a replacement check valve.

