

PRESENZA

ITALIA

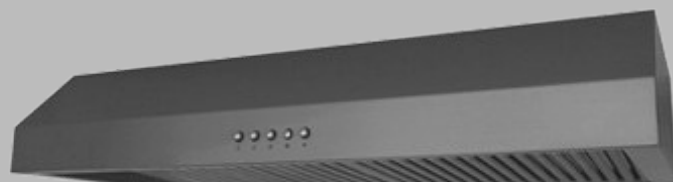
UNDER CABINET RANGE HOOD



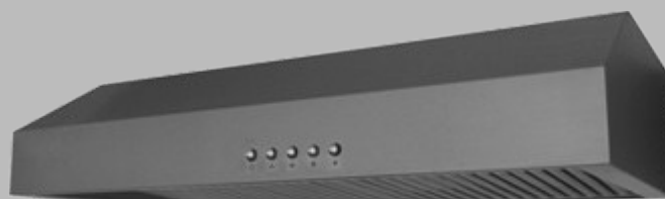
QR001



QR003



QR006



QR009



QR014



QR019

INSTALLATION GUIDE AND USER MANUAL

Model No. QR001, QR003, QR006
QR009, QR014 & QR019

Table of Contents

Table of Contents	2	Push Button / LCD Screen	18
Safety Information	2	Maintenance	
Warranty		Replacing Aluminum / Baffle Filters	19
One Year Limited Warranty	4	Replacing Light Bulbs	19
Warranty Claim Procedure	4	Care and Cleaning	
Pre-Installation		Range Hood	20
Tools Required	5	Aluminum / Baffle Filters	20
Hardware Included	6	Troubleshooting	21
Package Contents	7	Specifications	
Planning Installation	8	Specifications	22
Installation	13	Wiring Diagram	23
Operation	17	Service Parts	25
Push Button	17		

Safety Information

READ AND SAVE THESE INSTRUCTIONS

Warning - To reduce the risk of fire, electric shock, or injury to persons, observe the following:

1. Use this unit only in the manner intended by the manufacturer. If you have any questions, contact the manufacturer.
2. Before servicing or cleaning unit, switch power off at service panel and lock service disconnecting means to prevent power from being switched on accidentally. When the service disconnecting means cannot be locked, securely fasten a prominent warning device, such as a tag, to the service panel.
3. Installation work and electrical wiring must be done by qualified person(s) in accordance with all applicable codes and standards, including fire-rated construction.
4. Sufficient air is needed for proper combustion and exhausting of gases through the flue (chimney) of fuel burning equipment to prevent back drafting. Follow the heating equipment manufacturer's guideline and safety standards such as those published by the National Fire Protection Association (NFPA), and the American Society for Heating, Refrigeration and Air Conditioning Engineers (ASHRAE), and the local code authorities.
5. When cutting or drilling into a wall or ceiling, do not damage electrical wiring and other hidden utilities.
6. Ducted fans must always be vented to the outdoors.



DANGER: Turn off the power circuit breaker or the power switch on the junction box before installing or servicing this unit. Touching circuitry inside the range hood while it is energized will result in death or serious injury.



DANGER: All electrical wiring must be properly installed, insulated, and grounded. Improper insulation and grounding will result in deadly electrical shock.



DANGER: If installing this unit over a gas range, turn off the gas at the source before installing or servicing this unit.



WARNING: Attempting to install or service this unit when you do not have the necessary technical or electrical background could result in personal injury.



WARNING: The unit has sharp edges. Always wear safety gloves during installation, cleaning, or servicing.



WARNING: Always leave safety grills and filters in place. Without these components, operating fans could catch on to hair, fingers, or loose clothing.



WARNING: Stay clear of the rotating fan when the motor is running.



WARNING: Keep this appliance clean and free of grease and residue build-up at all times to prevent fires.



CAUTION: This device is for general ventilating use only. Do not use to exhaust hazardous or explosive materials and vapors.

Safety Information (continued)

COOKING SAFETY INFORMATION

1. Never leave the range hood unattended when in use.
2. Never cook over open flames under the range hood.
3. Always turn the range hood on when cooking at high heat or when cooking flaming foods.
4. If you choose to hang the range hood as below (Fig. 1) distance (D) from the cooktop surface, use extra caution as the surface of range hood may be extremely hot to the touch when in use. For QR001, QR003, QR006, QR009 & QR014, (D in Fig. 1) is 458 mm - 710 mm (18 in. - 28 in.). For QR019, (D in Fig. 1) is 432 mm - 813 mm (17 in. - 32 in.).
The closer you install to the cooktop (within the recommended distances) the hotter the range hoods surface temperature will become when cooking for an extended period amount of time.
5. Use caution when cooking with oil or with deep-fryers. Overheating may cause oil to reach its flash point and ignite. Used oil will ignite at lower temperatures than fresh oil. Heat oils slowly on low to medium setting.
6. Avoid boil overs, as they may cause smoking and greasy spillovers that could ignite.
7. To prevent burns or fires, always use cookware appropriate to the size of the heating element that you are using.
8. In event of a cooking fire, observe the following:
 - Be careful to avoid burns.
 - Smother flames with a close-fitting lid, cookie sheet, or metal tray, then turn off the burner. If the flames do not go out immediately, evacuate and call the fire department.
 - Never pick up a flaming pan.
 - Do not use water, including wet dishcloths or towels, as you could cause a steam explosion.
 - Use an extinguisher only if: (a) you have a class ABC extinguisher and you know how to operate it, (b) the fire is small and contained in the area where it started, (c) the fire department is being called, and (d) you can fight the fire with your back to the exit.



WARNING: To reduce the risk of fire, use only metal duct work. Never use plastic duct work.



WARNING: To reduce the risk of fire or electric shock, do not use this range hood with with any external solid state speed control device.



CAUTION: For general ventilation use only. Do not use the range hood fans to exhaust hazardous or explosive vapours.



CAUTION: Never dispose of cigarette ashes, ignitable substances, or any foreign objects in fans.



CAUTION: At least two people are needed to move and safely install the unit. Failure to properly lift the range hood could result in product damage or personal injury.

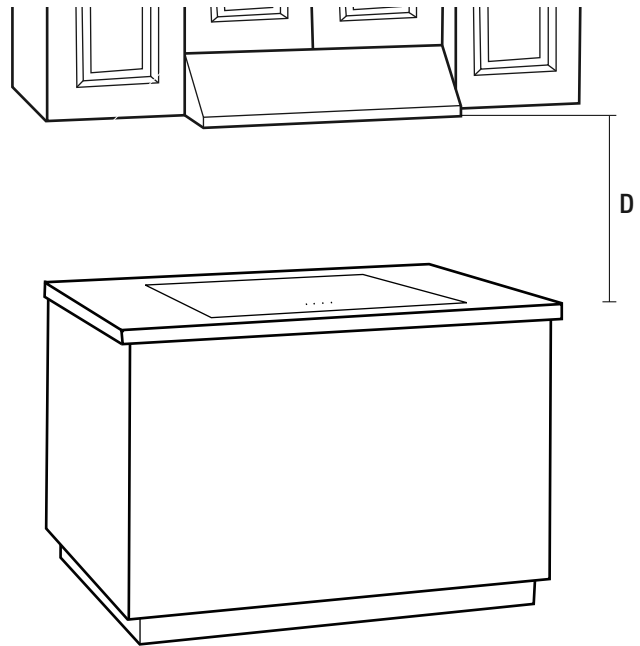


Fig. 1

CLEANING SAFETY INFORMATION

1. The fan and filters must be cleaned periodically and kept free from accumulation of cooking residue. Old and worn filters must be replaced immediately.
2. Never disassemble parts to clean. Parts should be disassembled by qualified persons only.

Warranty

ONE YEAR LIMITED WARRANTY

A thorough inspection must be made before installation and any damage must be promptly reported. We will not be liable for failures or damage that could have been discovered or avoided by proper inspection and testing prior to installation.

Conglom Kitchen & Bath warrants this product to be free from defects in materials or workmanship for one (1) year from the date of purchase. Proof of purchase (original sales receipt) from the original consumer purchaser must be made available to Conglom Kitchen & Bath for all warranty claims.

This warranty is non-transferable and shall be voided if the unit is removed from its initial installation or if it is not installed following the manufacturer's instructions. It does not apply in the event of product damage due to the use of other than genuine Conglom Kitchen & Bath replacement parts, (Replacement parts may be obtained by e-mail at customer.service@conglomkb.com or by calling 1-877-333-0098 between 8:30 am - 5:00 pm EST) installation error, abuse, misuse or improper care and maintenance (whether performed by a plumber, contractor, service provider or member of the purchaser's household). The warranty excludes damage due to aggressive air or water conditions, harsh or abrasive cleaners and/or materials.

Under no circumstance shall we be held liable for personal injury or property damage resulting from improper installation or use of this product. We will not be held liable for inconvenience caused by loss of use of this product, costs incurred for labour or materials, removal and installation of replacement units, or any other incidental or consequential damages. Costs relating to obtaining access for repair or replacement are the responsibility of the user.

Our obligation shall be limited to the repair or replacement of a unit (at our discretion) that may prove, by our sole examination, to be defective under normal use and service during the warranty period.

Any failure of this product that is not traceable to a defect in material or workmanship is not covered by this warranty. These non-warrantable items include, but are not limited to:

- Improper installation not in accordance with manufacturer's instructions.
- Dents and/or scratches incurred during shipping, handling, or installation.
- Change in colour or finish due to chemical usage.
- Damage caused by failure to follow care and cleaning guidelines, including damage caused by the use of abrasive cleaners.
- Alterations made to the unit by the purchaser or installer.
- Damage caused by accidental impact, fire, flood, freezing, and normal wear.
- Bends and warping caused by forced connections, over-tightened fittings, and inadequate support during installation.
- Any defects or damage to light bulbs.

This warranty does not extend to commercial and institutional installation or use.

WARRANTY CLAIM PROCEDURE

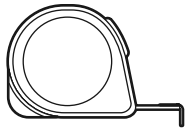
If a claimable defect occurs or replacement parts are needed, please contact our customer service team at customer.service@conglomkb.com or 1-877-333-0098 (8:30 am - 5 pm, EST, Monday - Friday).

Before you make your call, please ensure that you have:

- Model number or description.
- Proof of sale.
- Details regarding the defect and/or part number.
- Name(s) and address(es) of the owner and installer.

Pre-Installation

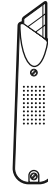
TOOLS/MATERIALS REQUIRED (NOT SUPPLIED)



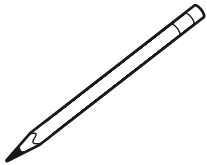
Measuring tape



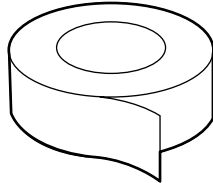
Level



Utility knife



Pencil



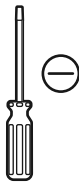
Tape



Adjustable wrench



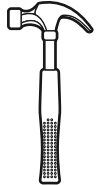
Phillips screwdriver



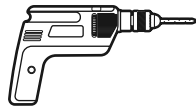
Flathead screwdriver



Needle nose pliers



Hammer



Electric drill



Safety goggles



Safety gloves

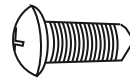
Pre-Installation

HARDWARE INCLUDED

NOTE:

Parts not shown to actual size.

Model	Part	Description	Quantity
QR001	AA	Long tapping screw - (M5 mm x 12 mm)	4
	BB	Short tapping screw - (M4 mm x 8 mm)	2

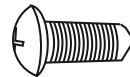


AA



BB

Model	Part	Description	Quantity
QR003	AA	Long tapping screw - (M5 mm x 12 mm)	4
	BB	Short tapping screw - (M4 mm x 8 mm)	2

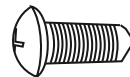


AA



BB

Model	Part	Description	Quantity
QR006	AA	Long tapping screw - (M5 mm x 12 mm)	4
	BB	Short tapping screw - (M4 mm x 8 mm)	2

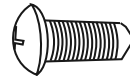


AA



BB

Model	Part	Description	Quantity
QR009	AA	Long tapping screw - (M5 mm x 12 mm)	4
	BB	Short tapping screw - (M4 mm x 8 mm)	2

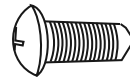


AA



BB

Model	Part	Description	Quantity
QR014	AA	Long tapping screw - (M5 mm x 12 mm)	4
	BB	Short tapping screw - (M4 mm x 8 mm)	2

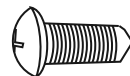


AA



BB

Model	Part	Description	Quantity
QR019	AA	Long tapping screw - (M5 mm x 12 mm)	4
	CC	Short tapping screw - (M4 mm x 16 mm)	6



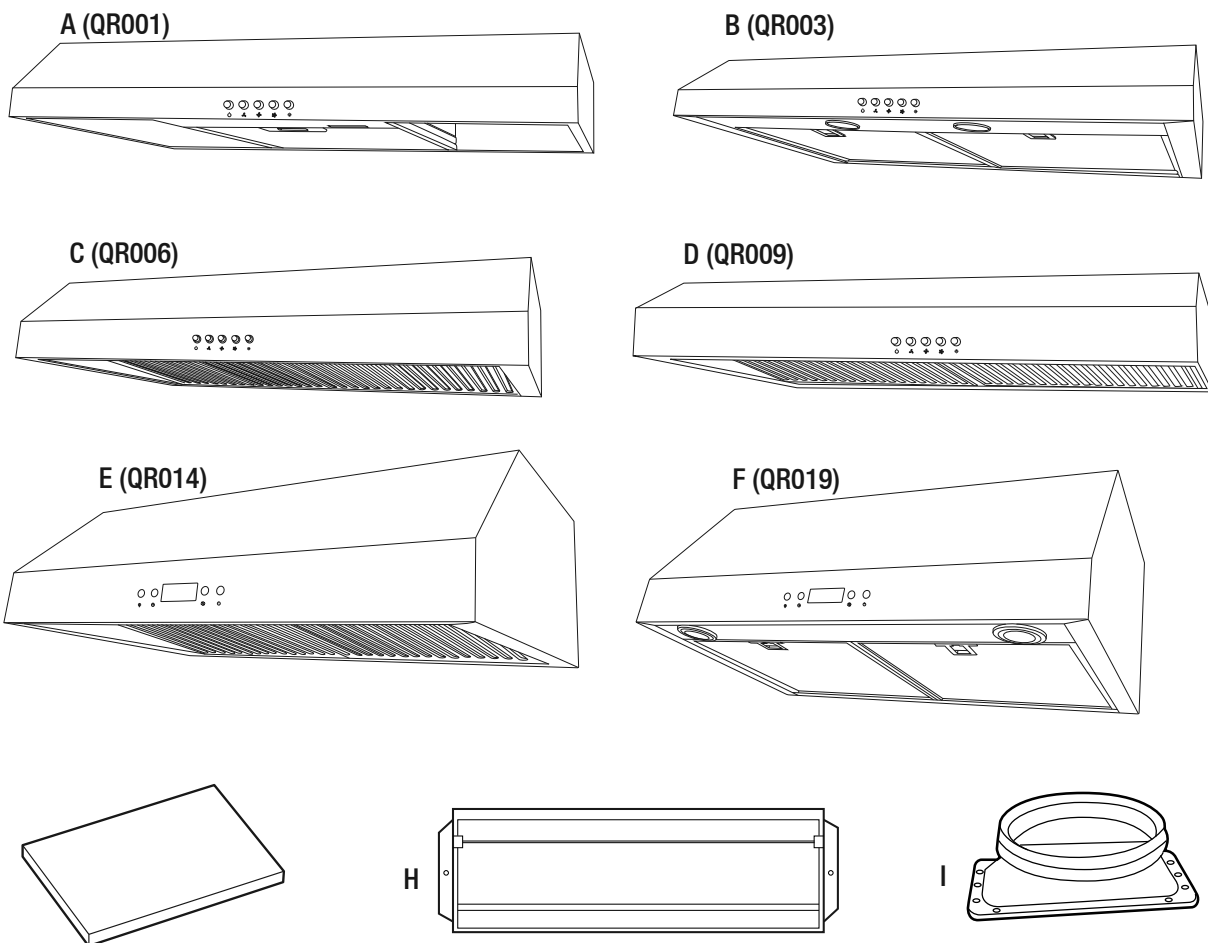
AA



CC

Pre-Installation (continued)

PACKAGE CONTENTS



Model	Part	Description	Quantity
QR001	A	Range Hood	1
	G	Charcoal Filter	1
	H	Damper	1

Model	Part	Description	Quantity
QR003	B	Range Hood	1
	G	Charcoal Filter	1
	H	Damper	1

Model	Part	Description	Quantity
QR006	C	Range Hood	1
	G	Charcoal Filter	1
	H	Damper	1

Model	Part	Description	Quantity
QR009	D	Range Hood	1
	H	Damper	1

Model	Part	Description	Quantity
QR014	E	Range Hood	1
	H	Damper	1

Model	Part	Description	Quantity
QR019	F	Range Hood	1
	I	Duct Set	1

Pre-Installation (continued)

PLANNING INSTALLATION

Number of people required: 2 or more

Carefully check the range hood for damage and for missing parts prior to installation. If there is any damage or if you are missing parts, do not proceed with the installation. Report damage and missing parts immediately. Do not dispose of packaging before you are satisfied with your new range hood.

- Before installation, measure all distances to ensure the proper position of the range hood (A).
 - The distance (1) from the cooking surface to the range hood must be at least 18 in. (458 mm), for QR019 the minimum distance is 17 in. (432 mm). For the best performance, do not install the range hood more than 28 in. (710 mm) and no more than 32 in. (813 mm) for the QR019 above the cooking surface.
 - Dimension (3) should be at least 30" (762 mm). The range hood should be approximately the same size as the cook top.
- If the bottom of the cabinet (6) above the location where the range hood is to be installed is recessed, attach appropriately sized wood filler strips (7) on each side using wood screws.
- Screws are provided to secure the range hood to most types of cabinets, but consult a qualified installer to verify that the supplied screws are suitable for your cabinets.
- Put a thick, protective covering over your counter, cooktop, or range to protect it from damage and dirt during installation. Remove any hazardous objects around the area.

WARNING: Always wear safety goggles and gloves during installation.

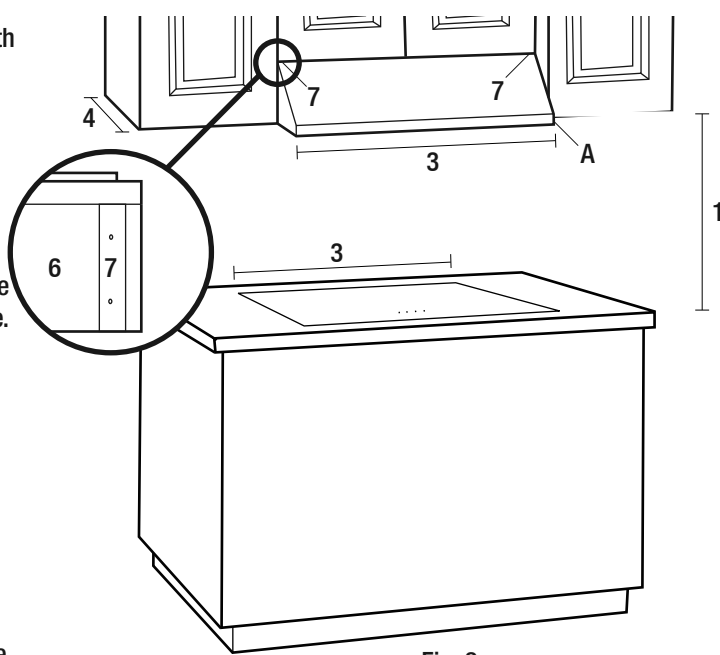


Fig. 2

VENTING OPTIONS QR001, QR003 & QR006:

- Determine if your existing venting system is top venting or back venting, and ensure that the openings in the cabinet or wall for the damper and for power access are in appropriate locations and are of appropriate sizes, as per Fig. 3 if it is top vent or Fig. 4 if it is back vent.
- If this is a new installation, choose the venting method that suits your needs. Cut out openings for the damper and for power access in the cabinet bottom or exterior wall, depending on the direction of venting chosen.

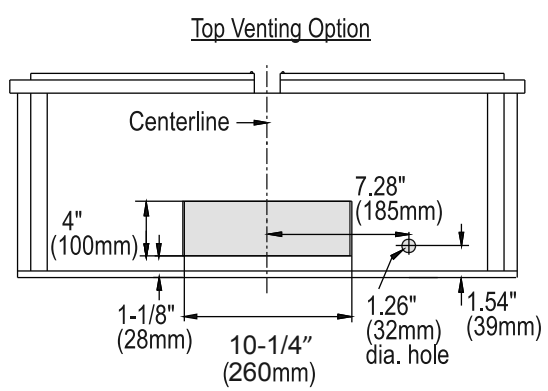


Fig.3

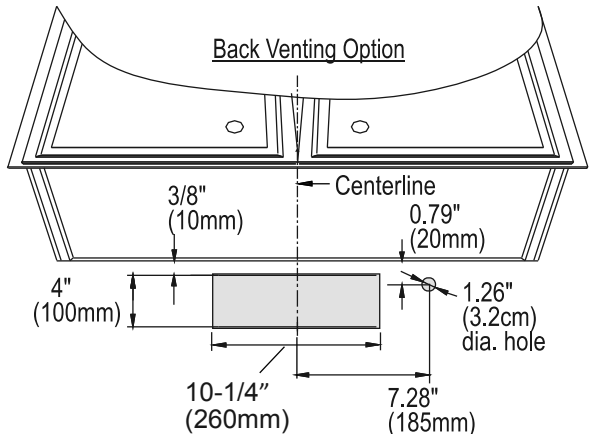


Fig.4

Pre-Installation (continued)

VENTING OPTIONS QR009 & QR014:

- Determine if your existing venting system is top venting or back venting, and ensure that the openings in the cabinet or wall for the damper and for power access are in appropriate locations and are of appropriate sizes, as per Fig. 5 if it is top vent or Fig. 6 if it is back vent.
- If this is a new installation, choose the venting method that suits your needs. Cut out openings for the damper and for power access in the cabinet bottom or exterior wall. Following Fig. 5 if it is going to be a top vent or Fig. 6 if it is going to be a back vent.

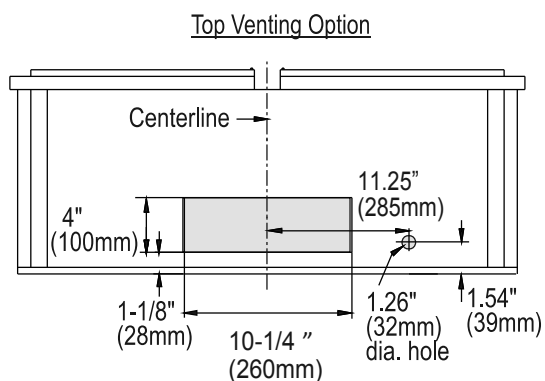


Fig. 5

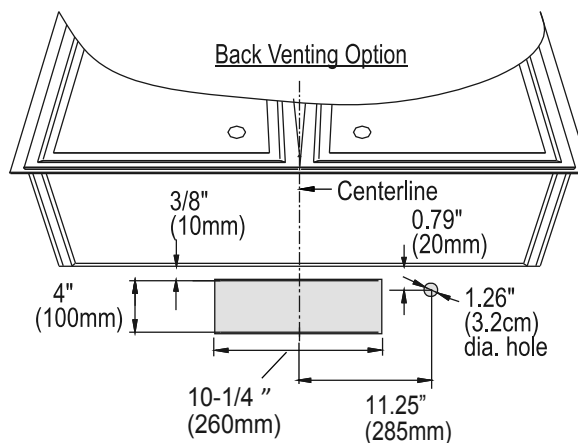


Fig. 6

VENTING OPTION QR019:

You must use a top venting system that vents to the outdoors.

- If using an existing venting system, ensure that the openings in the cabinet bottom for the damper and for power access are in appropriate locations and are of appropriate sizes, see Fig. 7.
- If this is a new installation, cut out openings for the damper and for power access in the cabinet bottom, see Fig. 7.

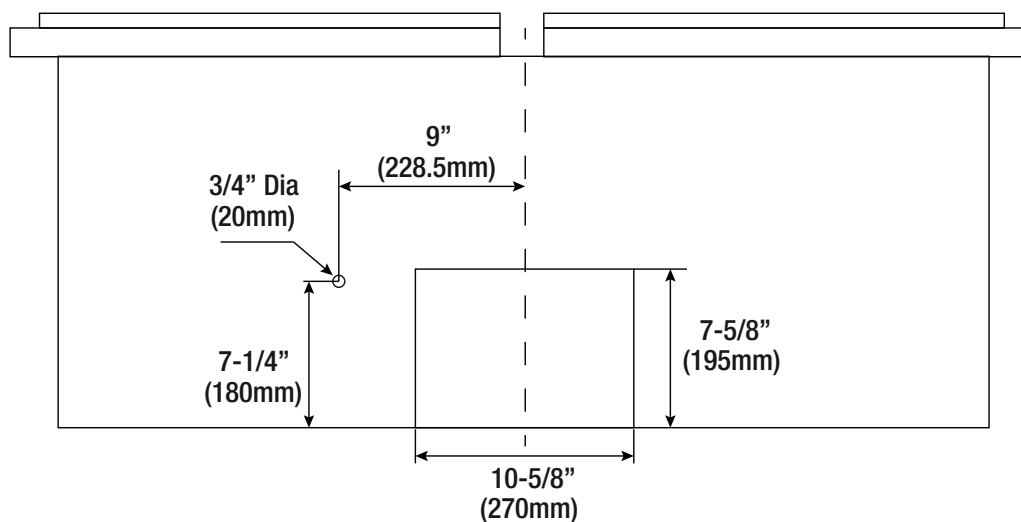


Fig.7

Pre-Installation (continued)

FOLLOW THESE GUIDELINES WHEN INSTALLING DUCT WORK:

- Your venting system must vent to the outdoors either horizontally through the back wall (13) or vertically through the roof (14) (refer to Fig. 8/ Fig. 9/ Fig. 10).
- Use round metal duct work with a uniform diameter of 6 in. (152 mm). The total duct run in the venting system should be not more than 10.7 m (35 ft).
- Calculate the total effective length of the duct work by adding the equivalent lengths in the table shown (Fig. 12). For each fitting used add the length of the equivalent straight duct used in the system.
- Fasten all connections between pieces of duct with sheet metal screws and tape all joints with certified duct tape.
- If you must turn the path of the duct work using elbows, keep the number of elbows to a minimum for effective performance and use no more than three 90° elbows. Ensure that there is a minimum of 18 in. (458 mm) of straight vent between each elbow. Elbow as far away from the range hood's exhaust opening as possible.
- Cap the exterior of the duct with a wall cap (15) or roof cap (16). Never use 4 in. (102 mm) laundry-type wall caps. Use caulking to seal exterior wall or roof opening around the cap.
- The venting system must have a damper. If the roof or wall cap has a damper, do not use the damper supplied with the range hood.

Horizontal Wall Venting

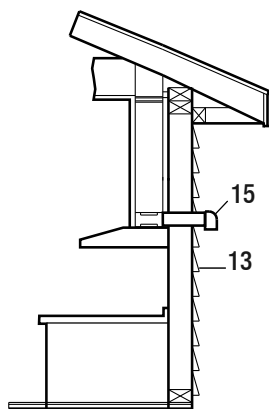


Fig.8

Horizontal Wall Venting

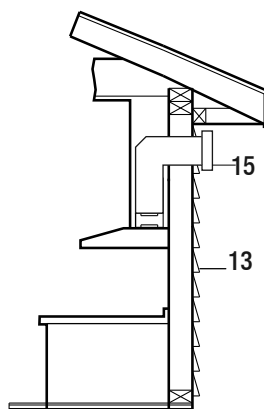


Fig. 9

Vertical Roof Venting

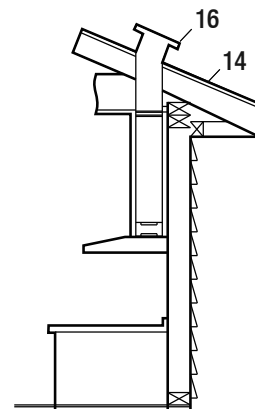


Fig. 10

For inside venting system (air does not exhaust to outdoors) (Fig. 11):

Please refer to the Installation section. The cover on the top plate will be removed and air will be exhausted through the charcoal filter and out from 17.

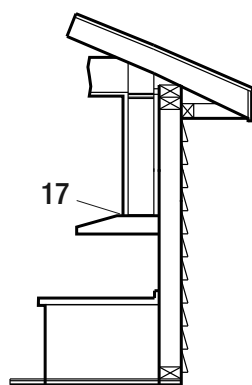


Fig. 11

Equivalent Length Chart

Type of duct	Length added
45° Elbow	3 ft. (0.91 m)
90° Elbow	5 ft (1.52 m)
90° Flat Elbow	12 ft (3.66 m)
2 x 90° Elbow	12 ft (3.66 m)
9 ft (2.74 m) Straight Duct	9 ft (2.74 m)
Wall Cap	0 ft (0 m)

Fig. 12

Pre-Installation (continued)

WIRING CONNECTION REQUIREMENTS

Installation work and electrical wiring must be done by a qualified person(s) in accordance with all applicable codes and standards, including fire-rated construction.

OBSERVE ALL GOVERNING CODES AND ORDINANCES WARNINGS

- Electrical grounding is required for this range hood. Check with a qualified electrician if you are not sure whether the range hood is properly grounded.
- Failure to follow electrical requirements may result in a fire.
- A fuse in the neutral or grounding circuit could result in electrical shock.
- If the hot/cold water pipe is interrupted by plastic nonmetallic gaskets or other materials, DO NOT use for grounding.
- DO NOT GROUND TO A GAS PIPE.

IMPORTANT: It is the customer's responsibility to contact a qualified electrical installer and assure that the electrical installation is adequate and complies with the National Electrical Code, or CSA standards, as well as all local codes and ordinances.

1. Save installation instructions for electrical inspector's use.
2. If codes permit and a separate ground wire is used, it is recommended that a qualified electrician determine if the ground path is adequate.
3. DO NOT use an extension cord or adapter plug with this appliance.
4. The range hood must be connected with copper wire only.
5. The range hood should be connected directly to the junction (or circuit breaker) box through flexible, armoured or nonmetallic sheathed copper cable. Allow some slack in the cable so the appliance can be moved if servicing is ever necessary.
6. A UL listed or CSA approved conduit connector must be provided at each end of the power supply cable (at the range hood and at the junction box).
7. When making the electrical connection, cut a 3.2 cm (1-1/4 in. hole in the wall. A hole cut through wood must be sanded until smooth. A hole through metal must have a grommet.
8. When cutting or drilling into the wall or ceiling, do not damage electrical wiring and other hidden utilities.
9. Wire size must conform to all local codes and ordinances. The latest edition requirements of the National Electrical Code ANSI/NFPA 70, or the latest edition CSA Standards C22.1-94, Canadian Electrical Code Part 1 and C22.2 No. 0-M91.



DANGER: Risk of electrical shock. This range hood must be properly grounded.



DANGER: Turn off the power circuit breaker or the power switch on the junction box before installing this unit. Touching circuitry inside the range hood while it is energized will result in death or serious injury.

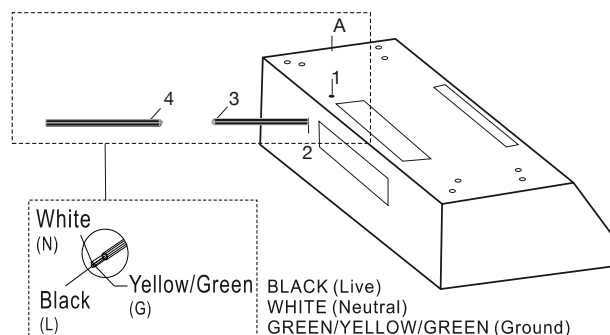


DANGER: All electrical wiring must be properly installed, insulated, and grounded. Improper insulation and grounding will result in deadly electrical shock.

NOTE:

Temporarily wire the range hood to test it for proper operation. If the range hood does not operate correctly, do not proceed with the installation.

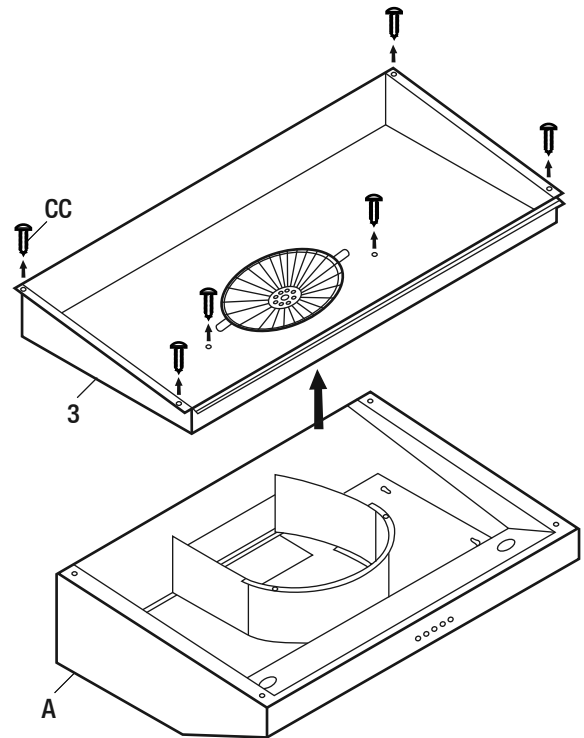
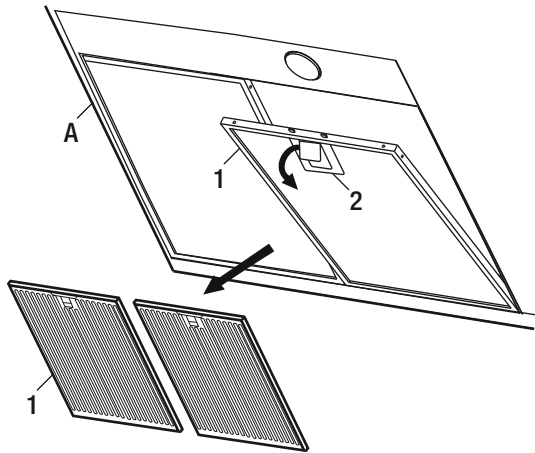
- Use the power supply cable to connect the range hood (A) directly to the junction box or circuit breaker box. Use a flexible, armoured, or nonmetallic sheathed copper cable only. Never use an extension cord or adapter plug.
- Connect a UL-listed or CSA-approved conduit connector to each end of the power supply cable (at the range hood and at the junction box). Connect the three colored wires (3) from the range hood (A) to the corresponding wires (4) from the electrical source: black to black (live), white to white (neutral), and green/yellow to green/yellow (ground). Use either the top hole (1) or the back hole (2) of the range hood depending on your installation type.
- Turn the power on, and ensure that the lights and the fan are operating correctly.
- Once you have tested the electrical connection, disconnect the power supply cable and wires from the electrical source before proceeding with the rest of the installation.



Pre-Installation (continued)

PREPARING THE RANGE HOOD FOR INSTALLATION ONLY FOR MODELS QR009 & QR014

- Turn over the range hood (A) and place it on a protective surface, such as cardboard or a large towel.
- Remove the baffle nets (1) by pulling the handles (2).
- Remove the bottom panel (3) by removing the six screws (CC). Ensure you have a good grip on the bottom panel when removing the screws so they do not fall into the unit.



Installation

REMOVING THE ELECTRICAL KNOCK-OUT HOLE



WARNING: Always wear safety goggles and gloves during installation.

- Choose the appropriate electrical knock-out hole to remove for your installation type. Use the top hole (1) if your electrical supply is in the cabinet and the back hole (2) if your electrical supply is on the wall below the cabinet (refer to Fig. 13).
- Use a hammer and a flathead screwdriver to gently punch out the electrical knock-out hole.

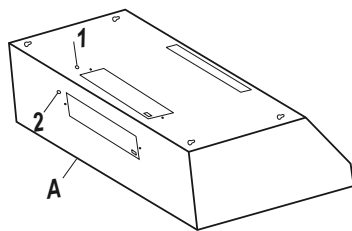


Fig. 13

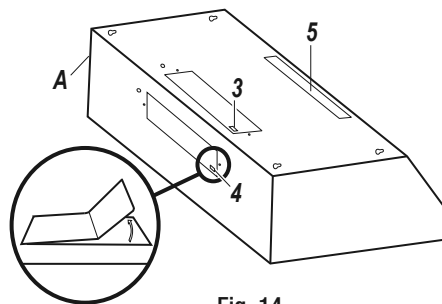


Fig. 14

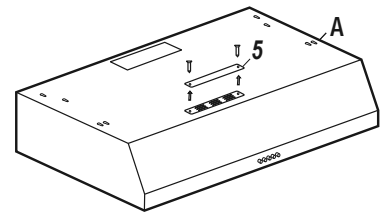


Fig. 15

REMOVING THE VENTING HOLE

- Choose the venting hole to remove for your installation type. Use the top hole (3) for a top venting installation and the back hole (4) for a back venting installation (not available in QR019) and top hole 5 for when you do not have the exterior exhaust, but will use the interior feature (available in units QR001, QR003 & QR006).
- If you are using an exterior venting, carefully remove the cover (3 or 4) for the appropriate venting hole using a flathead screwdriver or needle nose pliers (see Fig. 14). Be careful not to leave any debris inside the range hood (A).
- If you are venting indoors, unscrew the 2 screws holding cover (5) in place and remove the cover as per Fig. 15. DO NOT REMOVE ANY OTHER VENTING HOLE COVER.

INSTALLING THE DAMPER

(SKIP THIS STEP IF YOU ARE USING AN INTERIOR VENTING OR UNIT IS THE QR019)

NOTE:

Only install the damper if you are using a venting system that does not already have a damper. If using the charcoal filter for ductless installation, or if your venting system already has a damper, skip this step.

If this hood replaces an existing unit, the location of the air exhaust can vary from one manufacturer to another. Ensure that the damper fits in the existing opening before installing.

- Choose to install the damper (C) either in the top position (3) for top venting or in the back position (4) for back venting.
- Insert the damper (C) into the chosen hole in the range hood (A), ensuring that the central flap (6) goes into the hole while the two side flaps (7) remain above it.
- Lift the lid (8) of the damper and screw the damper (C) to the range hood (A) with the two short tapping screws (BB).
- Seal the damper (C) to the range hood (A) on all four sides with duct tape.

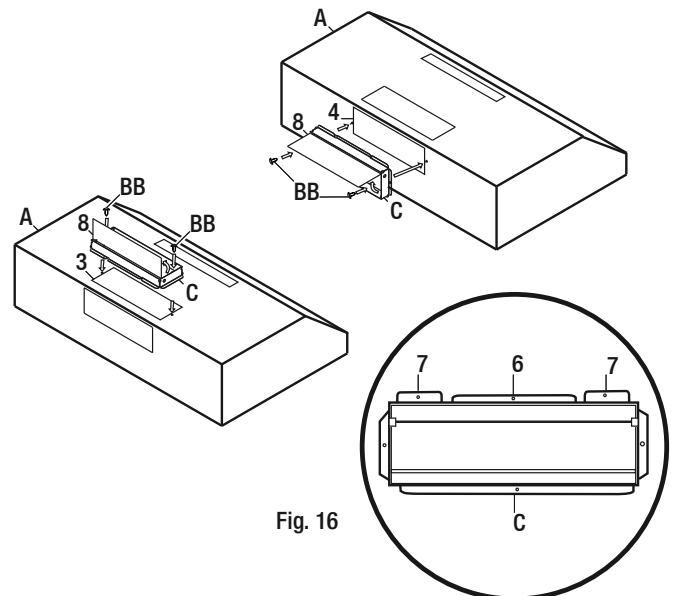


Fig. 16

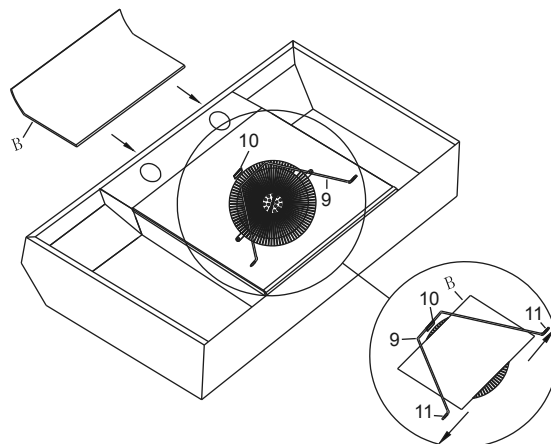
Installation (continued)

INSTALLING THE CHARCOAL FILTER (SKIP THIS STEP IF YOU ARE USING EXTERIOR VENTING)

NOTE:

The charcoal filter should only be installed if you are not using a venting system.

- Turn over the range hood (A) and place its top on a protective surface.
- Unhook the charcoal filter support (9) from the support hook (10) and pull the charcoal filter support up.
- Place the charcoal filter (B) under the charcoal filter support (9). Ensure that the filter is placed horizontally, or the charcoal filter support (9) will not close properly.
- Slide the charcoal filter support (9) to the left or right in its braces (11) until you can re-hook it on its support hook (10).

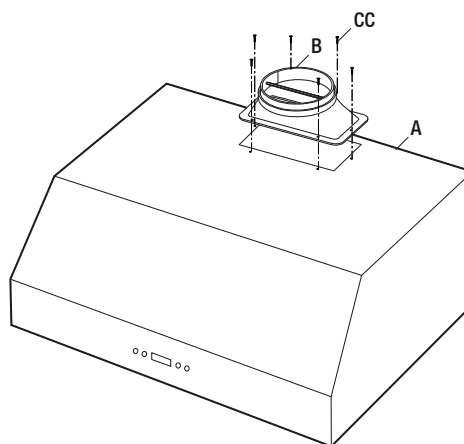


INSTALLING THE DUCT SET AND DAMPER ONLY FOR MODEL QR019



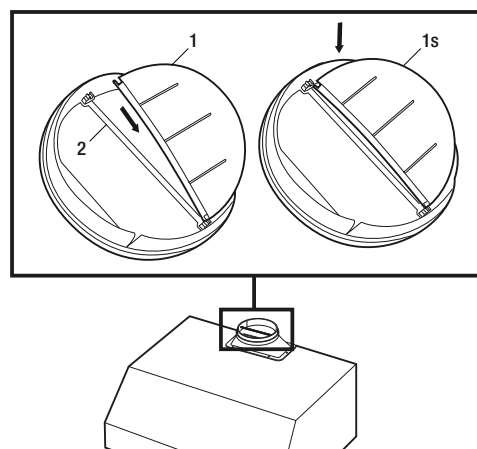
CAUTION: Be very careful when installing the damper. Applying too much force or bending the damper too much may damage or break the damper hinge ends.

- Attach the duct set (B) to the range hood (A) with the six screws (CC) provided.



The damper is pre-installed at the factory. Make sure that it has not come loose during shipping and re-install, if necessary.

- Insert one end of the damper (1) into the hinge slot (2) at the top of the range hood (A).
- Gently bend the damper (1) and insert its other end into the hinge slot (2).



Installation (continued)

INSTALLING THE RANGE HOOD

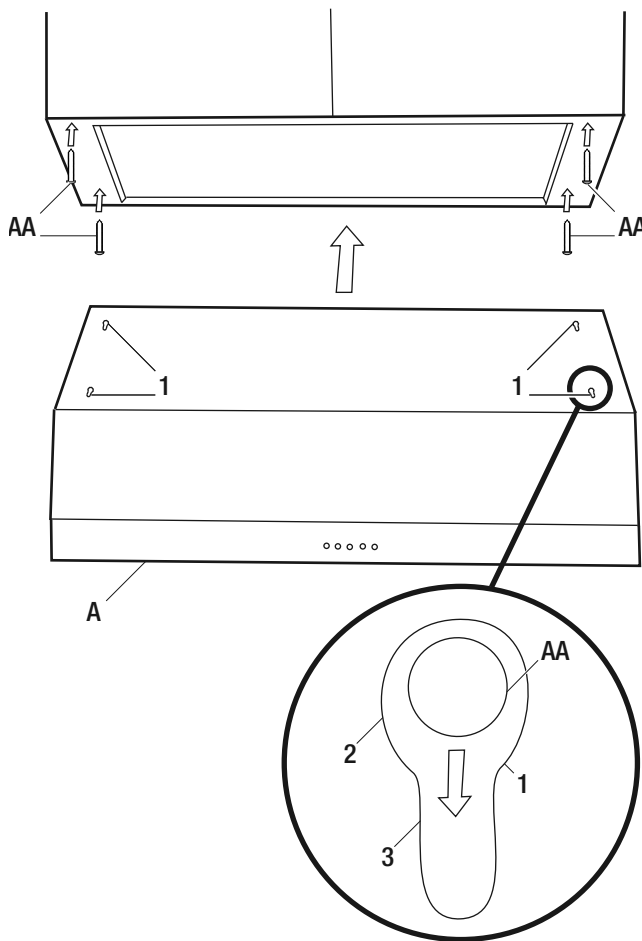


DANGER: Turn off the power circuit breaker or the power switch on the junction box before installing this unit. Touching circuitry inside the range hood while it is energized will result in death or serious injury.



DANGER: If installing this unit over a gas range, turn off the gas at the source before installing or servicing this unit.

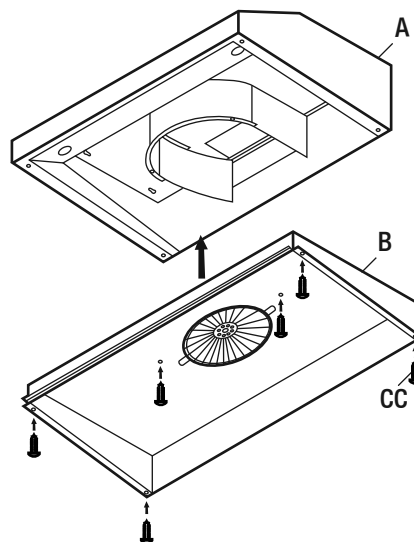
- Lift the range hood (A) up under the cabinet to determine its final position. Mark the location of the four keyhole mounting slots (1) on the underside of the cabinet.
- Set the range hood (A) aside on a protective surface.
- Drill four pilot holes in the locations that you marked.
- Screw the four long tapping screws (AA) into the pilot holes. Do not tighten the screws all the way – leave the screw heads about 0.28 in. (7 mm) from the cabinet surface.
- Lift the range hood (A) into position, feeding the power cable and the electrical wires through the power access opening. Allow some slack in the cable and wires so that the appliance can be moved if servicing is ever necessary.
- Position the range hood (A) so the large end (2) of the keyhole mounting slots (1) are over the screws (AA). Then push the range hood (A) toward the wall so the screws (AA) are in the neck (3) of the keyhole slots. Tighten the screws (AA). Ensure that the range hood (A) is securely fastened to the cabinet before releasing it.
- If applicable, test the damper blade to ensure it rotates up and down freely.
- If applicable, connect the duct work to the range hood (A). Seal the joints with duct tape to ensure an airtight fit.



Installation (continued)

REPLACING THE BOTTOM PANEL ONLY FOR MODELS QR009 & QR014

- Replace the bottom panel (B) on the range hood body (A) by putting back the 6 screws (CC) that hold it in place.

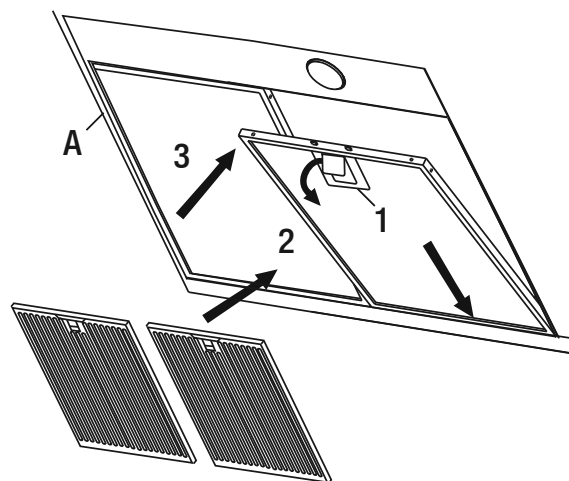


REPLACING THE ALUMINUM/BAFFLE FILTERS

Replace the aluminum/baffle filters by:

- Inserting them first in the back groove of the range hood.
- Opening the clasp.
- Putting the front of the filter in place.
- Releasing the clasp.

Keep your hand in place until you are certain that the filters are secure.



FINAL STEP

- Reconnect the power supply cable and wires to the electrical supply. Turn the power on and ensure that the lights and fan are operating correctly.

Operation

PUSH BUTTON

NOTE:

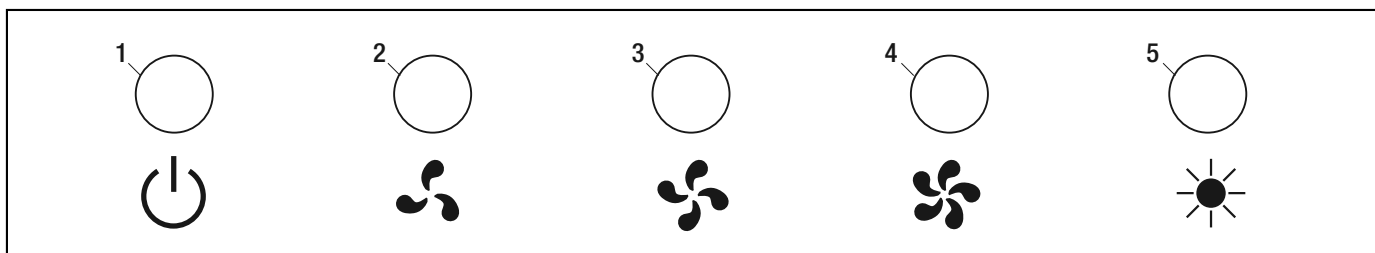
The fan and lights operate independently of each other.

TURNING ON/OFF THE UNIT

- To turn on the fan, press the appropriate speed control switch [Low Speed (2), Medium Speed (3), High Speed (4)] to select the desired level of power. Once a button is pressed, the previous speed mode will be cancelled.
- Press the power switch (1) to turn off the fan.

TURNING ON/OFF THE LIGHTS

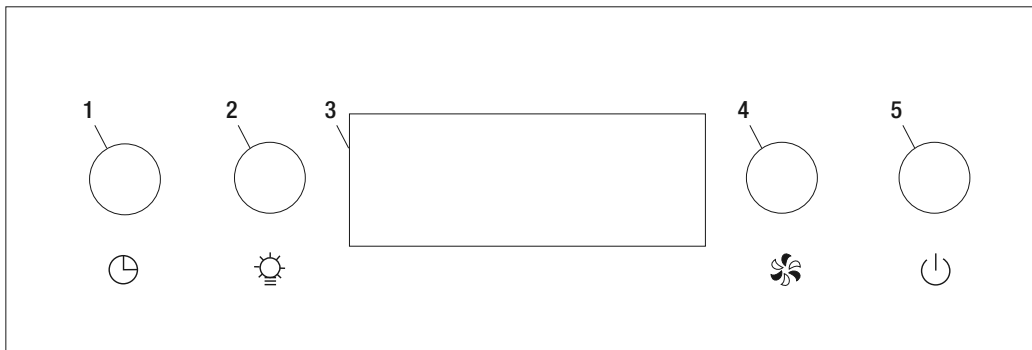
- Press the light switch (5) to turn on and off the lights.



Operation (continued)

PUSH BUTTON / LCD SCREEN

There are four buttons, ON/OFF (5), SPEED (4), LIGHT (2) and CLOCK SETUP (1). The center screen (3) will show the clock (12 hour).



TURNING ON/OFF THE UNIT

- Press (5) to turn on the power.
When you turn the power on, the unit starts working in high speed, the clock indication on the center screen (3) will go off and "3" will be indicated on the screen. (During the operation speed indication will be indicated on the screen).
- Press (5) twice to turn off the unit while it is operating.
While the fan is off, the screen will display the time.

TO CHANGE FAN SPEED

While the unit is operating:

- Press the fan button (4) once, range hood will change to medium speed and "2" will be indicated on the screen.
- Press the fan button (4) again to change to low speed and "1" will show on the screen.

SETTING THE CLOCK

- Press the clock button (1) once, the center screen starts flashing "00:00".
- Press the light button (2) to change the hour display and the fan button (4) to change the minute display.
- During the setup, if no button is pressed for more than 5 seconds, the setting displayed will be fixed. The setup can be done while the unit is running or not.

DELAY SHUT OFF FUNCTION

- While the fan is working, press (5) once, the fan and lights will automatically turn off after 2 minutes.
The screen will indicate "2:00" and start counting down. Once the countdown is completed, the range hood will beep, the fan and lights will turn off automatically and the clock will show in the screen.

During the countdown operation:

- You will still be able to change the speed by pressing (4).
- Press (5) once more to stop the fan immediately.

TURNING ON/OFF THE LIGHT

- Press the light button (2) to turn the light on and off.

Maintenance

ALUMINUM/BAFFLE FILTERS

When aluminum or baffle filters need replacing, exchange with similar filters or baffle nets with stainless steel clips. Also replace filters or baffle nets that are damaged with punctures, bends, or broken frames.

- Turn off the range hood and disconnect the power.
- Replace with an equivalent aluminum or baffle filter, then reconnect the power.



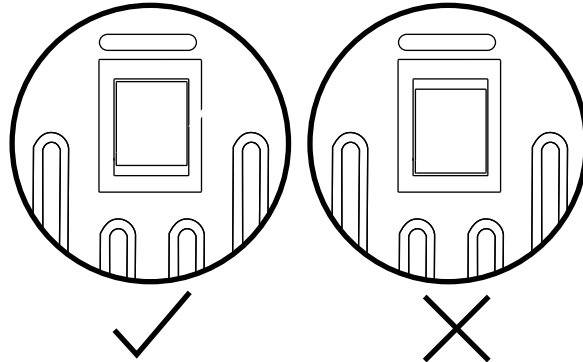
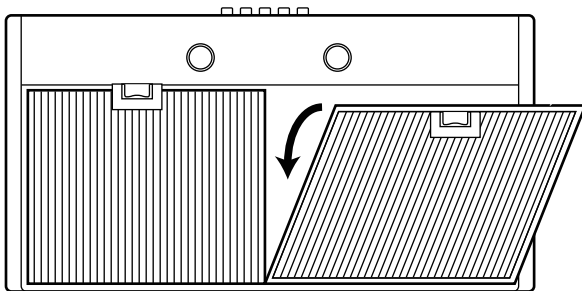
DANGER: Turn off the power circuit breaker or the power switch on the junction box before performing maintenance. Touching circuitry inside the range hood while it is energized will result in death or serious injury.



WARNING: Failure to replace worn out or damaged filters will increase the risk of fire.



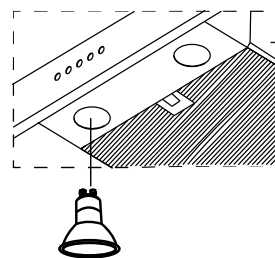
WARNING: Light bulbs can become extremely hot when turned on. Do not touch bulbs until they are switched off and cooled. Touching hot bulbs could cause serious burns.



REPLACING LIGHT BULBS

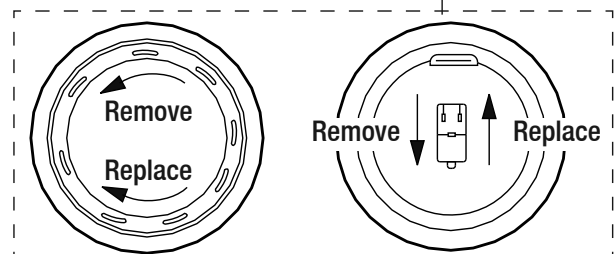
When light bulbs burn out, replace them with the correct light bulb (as per the specifications on page 22).

- Turn off the range hood, disconnect it from its power source, and ensure that the lights are cool.
- Remove the old bulb and install the new one. Do not release the bulb until you are sure it has been securely installed. Then reconnect the power.
- If new bulbs do not operate, ensure that they are inserted correctly.



For JDR16, GU10 twist and lock base light bulb

For Type JC halogen bulbs



Care and Cleaning

RANGE HOOD



WARNING: Failure to maintain basic standards of care and cleaning of the range hood will increase the risk of fire.

The range hood should be cleaned (regularly internally and externally) to preserve its appearance and performance.

Do:

- Always clean in the direction of the grain (original polish lines).
- Clean the range hood periodically with hot, soapy water and a clean cotton cloth.
- Always rinse well with clean water two or three times after cleaning. Wipe completely dry with a soft non-abrasive cloth.
- After cleaning, you may polish with a non-abrasive stainless steel polish or cleaner. Always rub lightly and with the grain.
- Ensure that the venting system is free of debris, if you have one.

Do Not:

- Do not use corrosive or abrasive detergents, steel wool, or scouring pads. These will scratch and damage the stainless steel surface.
- Do not use corrosive or abrasive detergents, or any products containing chloride, fluoride, iodide, or bromide on this product, as they will deteriorate the surface rapidly.
- Do not allow cleaning compounds, salt solutions, disinfectants, or bleaches to remain in contact with the product for extended periods of time.
- Do not allow deposits to remain for long periods of time on the range hood. Rinse with water immediately and wipe dry with a clean cloth.
- Do not let plaster dust or any other construction residue enter the hood. During construction or renovation, cover the hood.
- Combustible products used for cleaning such as acetone, alcohol, ether, or benzol are highly explosive and should never be used close to a range or stove.

ALUMINUM/BAFFLE FILTERS

The filter fitted by the factory is intended to filter out residue and grease from cooking. You do not need to replace them on a regular basis, but you should keep them clean.

Do:

- Clean the aluminum/baffle filters once a month using non-abrasive detergents, either by hand or in the dishwasher. When using a dishwasher, set the dishwasher to a low temperature and a short cycle setting. The filter may become discoloured in a dishwasher, but this does not affect its performance.
- Dry the aluminum/baffle filters before re-installing them in the range hood.

Do Not:

- Do not allow oil to accumulate over more than 80% of the filter surface. Oil accumulations may drip oil onto the range.
- Do not wash charcoal filters. Charcoal filters should be replaced when they are covered in grease and have reached their maximum absorbance.

Troubleshooting



DANGER: Turn off the power circuit breaker or the power switch on the junction box before performing maintenance. Touching circuitry inside the range hood while it is energized will result in death or serious injury.

Problem	Solution
The range hood will not operate.	<ul style="list-style-type: none"> - Check that the power supply cable and all electrical wiring are properly connected. - Check that the power is turned on at the junction box or circuit breaker. - Check that the wiring between the switch control and the control board are connected properly.
The range hood vibrates when the fan is operating.	<ul style="list-style-type: none"> - Check that the range hood has been secured properly to the wall. Tighten into position, if necessary. - Check that the motor is secured in place. If not, then tighten the motor in place. - Check that the fan is not damaged. If so, replace the fan.
The fans seem weak.	<ul style="list-style-type: none"> - Check that the duct size used is at least 6 in. (152 mm) round. The range hood will not function efficiently with insufficient duct size. - Check that the duct is not clogged with debris and the tight mesh on the wall cap, if applicable, isn't restricting air flow. - Check that the damper unit is opening properly. - Check that no birds or animals have nested in the duct.
The lights work, but the fan is not spinning, is stuck, or is rattling.	<ul style="list-style-type: none"> - The thermal protection system detects if the motor is too hot to operate and shuts the motor down. In this case, the motor will function properly after the thermal protection system cools down (after approximately 10 min.). - Check that the fan isn't jammed or scraping the bottom. - If nothing else works, the motor may be defective or seized. If so, replace the motor.
The range hood is not venting properly.	<ul style="list-style-type: none"> - Check that no birds or animals have nested in the duct. - Check that the distance between the cooktop and the bottom of the range hood is within its models requirements (see page 8). - Check that duct work follows all requirements. Use round metal duct work with a uniform diameter of 6 in. (152 mm). The length of duct work must not exceed 35 ft (10.7 m). Reduce the length of duct work and the number of elbows if necessary. Ensure that all joints are properly connected, sealed, and taped. - Check that the duct does not open against the wind. - Ensure that the power is on high speed for heavy cooking. - Wind from opened windows or doors may affect the performance of the range hood. Close all windows and doors to eliminate outside air flow. - To enhance the performance of the range hood, open slightly a window on the opposite side of the house where the range hood vents outdoors.
A light does not work.	<ul style="list-style-type: none"> - Check to see if light bulb is burnt. If so, replace. - Check the light bulb to see if it is loose. If so, tighten. - Remove the problem bulb and insert one you know is working. If the properly functioning light does not come on, the problem may be the light assembly. Have the light assembly serviced or replaced.

Specifications

Model	Dimensions	Rating	Control Type	Fan CFM	Speeds	Light Bulb Wattage	Venting Options
QR001	29.8 in. (757 mm) W	120~60Hz 1.6A	Push Button	300 ± 10%	High	2 x Max. 25W or 35W/JDR 16, GU10 twist and lock base light bulb	Top venting Back venting Recirculating Inside venting
	18 in. (458 mm) D				Medium		
	5 in. (127 mm) H				Low		

Model	Dimensions	Rating	Control Type	Fan CFM	Speeds	Light Bulb Wattage	Venting Options
QR003	29.8 in. (757 mm) W	120~60Hz 1.6A	Push Button	300 ± 10%	High	2 x Max. 25W or 35W/JDR 16, GU10 twist and lock base light bulb	Top venting Back venting Recirculating Inside venting
	18 in. (458 mm) D				Medium		
	5 in. (127 mm) H				Low		

Model	Dimensions	Rating	Control Type	Fan CFM	Speeds	Light Bulb Wattage	Venting Options
QR006	29.8 in. (757 mm) W	120~60Hz 1.6A	Push Button	275 ± 10%	High	2 x Max. 25W or 35W/JDR 16, GU10 twist and lock base light bulb	Top venting Back venting Recirculating Inside venting
	18 in. (458 mm) D				Medium		
	6 in. (152 mm) H				Low		

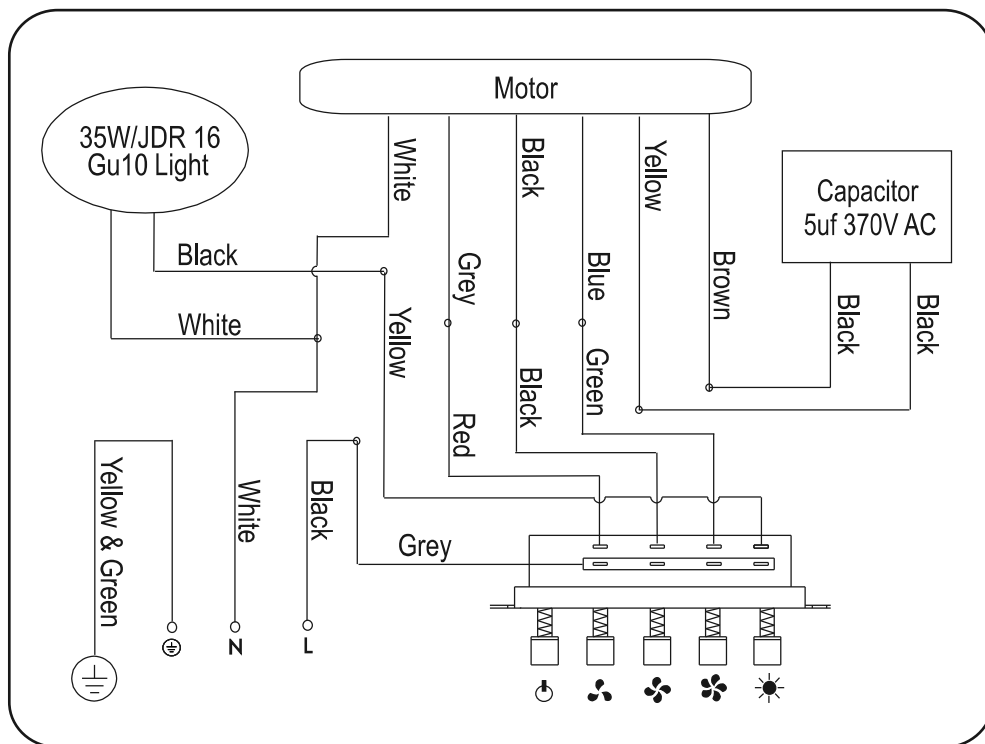
Model	Dimensions	Rating	Control Type	Fan CFM	Speeds	Light Bulb Wattage	Venting Options
QR009	29.8 in. (757 mm) W	120~60Hz 1.5A	Push Button	320 ± 10%	High	2 x Max. 25W or 35W/JDR 16, GU10 twist and lock base light bulb	Top venting Back venting
	18 in. (458 mm) D				Medium		
	7 in. (178 mm) H				Low		

Model	Dimensions	Rating	Control Type	Fan CFM	Speeds	Light Bulb Wattage	Venting Options
QR014	29.8 in. (757 mm) W	120~60Hz 1.5A	Push Button/ LCD Screen	320 ± 10%	High	2 x Max. 25W or 35W/JDR 16, GU10 twist and lock base light bulb	Top venting Back venting
	18 in. (458 mm) D				Medium		
	9 in. (228 mm) H				Low		

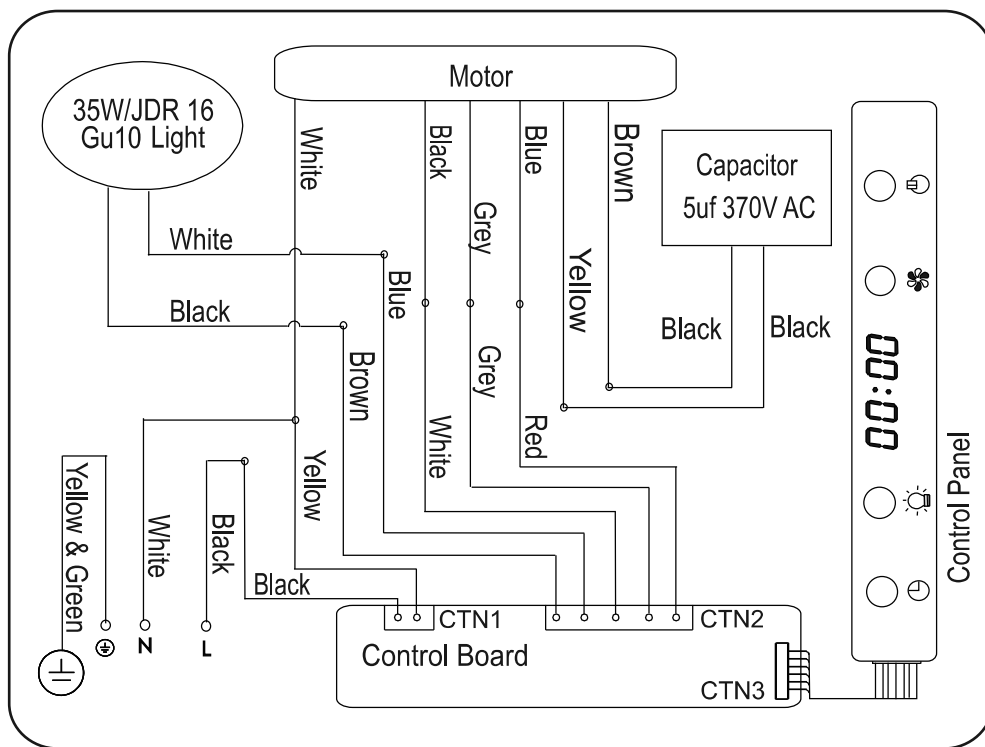
Model	Dimensions	Rating	Control Type	Fan CFM	Speeds	Light Bulb Wattage	Venting Options
QR019	29.8 in. (757 mm) W	120~60Hz 2A	Push Button/ LCD Screen	500 ± 10%	High	2 x Max. 20W / 12 V, Type JC	Top venting
	18 in. (458 mm) D				Medium		
	12 in. (305 mm) H				Low		

Specifications (continued)

WIRING DIAGRAM FOR MODELS QR001, QR003, QR006 & QR009

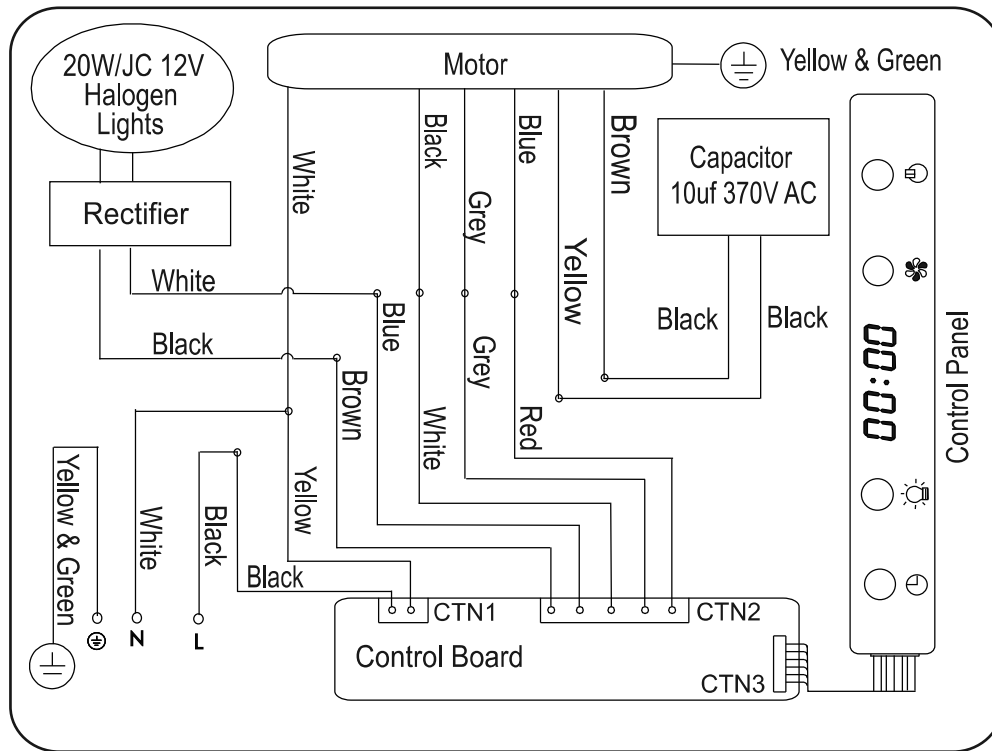


WIRING DIAGRAM FOR MODEL QR014



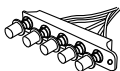
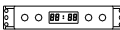
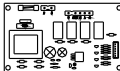


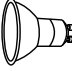


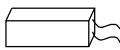


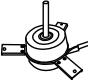

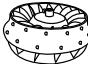
Specifications (continued)

WIRING DIAGRAM FOR MODEL QR019





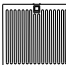
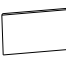
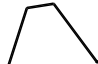
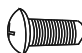




Service Parts

If you are missing parts or if you require replacement parts, please contact our customer service team at customer.service@conglomkb.com or 1-877-333-0098 (8:30 am – 5 pm, EST, Monday – Friday). Identify the required part(s) and have the part number(s) ready.

Part Number	Description	Picture	QR001	QR003	QR006	QR009	QR014	QR019
QHR106	Control Switch		1	1	1	1		
QHR105	Control Panel						1	1
QHR104	Control Panel						1	1
QHR100	Capacitor 5UF, 370V		1	1	1	1	1	
QHR102	Capacitor 10UF, 370V							1
QHR121	35W GU10 Light		2	2	2	2	2	
QHR122	20W Halogen Light and Light Base							2
QHR123	GU10 Light Base		2	2	2	2	2	
QHR124	Light Transformer							1
QHR126	Motor 120V, 60Hz, 1.1A		1	1	1			
QHR125	Motor 120V, 60Hz, 1.1A					1	1	
QHR127	Motor 120V, 60Hz, 1.5A							1
QHR108	Fan (77.3mm / 3in)		1	1	1			
QHR109	Fan (93mm / 3 5/8in)					1	1	

Service Parts (continued)

Part Number	Description	Picture	QR001	QR003	QR006	QR009	QR014	QR019
QHR111	Fan Set							1
QHR110	Fan Guard		1	1	1	1	1	
QHR115	Aluminum Filter (370 mm x 320 mm)		1					
QHR114	Aluminum Filter (366 mm x 344 mm)			2				2
QHR117	Baffle Filter (366 mm x 344 mm)				2	2	2	
QHR119	Charcoal Filter (266 mm x 196 mm)		1	1	1			
QHR120	Charcoal Filter Support		1	1	1			
QHR139	Long Tapping Screw (M5 x 12 mm)		4	4	4	4	4	4
QHR137	Screw (M4 x 16 mm)							6
QHR132	Tapping Screw (M4 x 8 mm)		2	2	2	2	2	

Imported by:

Conglom
KITCHEN & BATH

St-Laurent, Québec, H4S 2C3

1-877-333-0098

www.conglomkb.com

Made in China

