



Stainless Steel Offset Dual-Bowl Sink

Fregadero con dos cubetas de diferente tamaño de acero inoxidable

#1000839188

#QK011



Table of Contents

Table of Contents	2	Installation	
Safety Information	2	Undermount	6
Warranty		Topmount	9
One Year Limited Warranty	3	Installing the Vanishing Edge™ Strainer	11
Warranty Claim Procedure	3	Installing the Garbage Disposer (Optional)	11
Pre-Installation		Care and Cleaning	12
Planning Installation	4	Service Parts	13
Tools/Materials Required	4		
Parts Required	4	GUÍA DE USO	14
Package Contents	5		

Safety Information

READ AND SAVE THESE INSTRUCTIONS

1. Unpack and inspect this product for chips, scratches, cracks, dents, and scuff marks. Do not install this product if any damages or defects are identified.
2. Use this unit only in the manner intended by the manufacturer. If you have any questions, contact the manufacturer.
3. Installation work and plumbing must be done by qualified person(s) in accordance with all applicable codes and standards.
4. Protect the entire surface during installation.



CAUTION: Always wear safety goggles and gloves during installation to prevent personal injury.

Warranty

ONE YEAR LIMITED WARRANTY

A thorough inspection must be made before installation and any damage must be promptly reported. We will not be liable for failures or damage that could have been discovered or avoided by proper inspection and testing prior to installation.

We warrant this product to be free from defects in materials or workmanship for one (1) year from the date of purchase. Proof of purchase (original sales receipt) from the original consumer purchaser must be made available to us for all warranty claims.

This warranty is non-transferable and shall be voided if the unit is removed from its initial installation or if it is not installed following the manufacturer's instructions. It does not apply in the event of product damage due to the use of other than our genuine replacement parts, (Replacement parts may be obtained by calling 1-855-HD-GLACIER between 8:00 am - 7:00 pm, EST, Monday - Friday, 9:00 am - 6:00 pm, EST, Saturday) installation error, abuse, misuse or improper care and maintenance (whether performed by a plumber, contractor, service provider or member of the purchaser's household). The warranty excludes damage due to aggressive air or water conditions, harsh or abrasive cleaners and/or materials.

Under no circumstance shall we be held liable for personal injury or property damage resulting from improper installation or use of this product. We will not be held liable for inconvenience caused by loss of use of this product, costs incurred for labour or materials, removal and installation of replacement units, or any other incidental or consequential damages. Costs relating to obtaining access for repair or replacement are the responsibility of the user.

Our obligation shall be limited to the repair or replacement of a unit (at our discretion) that may prove, by our sole examination, to be defective under normal use and service during the warranty period.

Any failure of this product that is not traceable to a defect in material or workmanship is not covered by this warranty. These non-warrantable items include, but are not limited to:

- Improper installation not in accordance with manufacturer's instructions.
- Dents and/or scratches incurred during shipping, handling, or installation.
- Change in colour or finish due to chemical usage.
- Damage caused by failure to follow care and cleaning guidelines, including damage caused by the use of abrasive cleaners.
- Alterations made to the unit by the purchaser or installer.
- Damage caused by accidental impact, fire, flood, freezing, and normal wear.
- Bends and warping caused by forced connections, over-tightened fittings, and inadequate support during installation.
- Damage caused by use of chlorine-based cleaners.

This warranty does not extend to commercial and institutional installation or use.

WARRANTY CLAIM PROCEDURE

If a claimable defect occurs or replacement parts are needed, please contact our customer service team at 1-855-HD-GLACIER (8:00 am - 7:00 pm, EST, Monday - Friday, 9:00 am - 6:00 pm, EST, Saturday).

Before you make your call, please ensure that you have:

- Model number or description.
- Proof of sale.
- Details regarding the defect and/or part number.
- Name(s) and address(es) of the owner and/or installer.

Pre-Installation

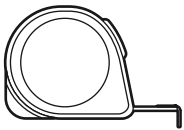
PLANNING INSTALLATION

Unpack and inspect this product for chips, scratches, cracks, dents, and scuff marks. If any damages or defects are identified or, if any parts are missing, please contact the manufacturer.

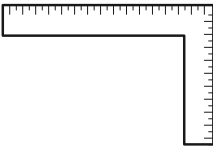
You may choose to install this sink either undermount (below the counter) or topmount (above the counter). You must install this sink in a counter at least 36 in. (914 mm) wide with a solid surface that has a minimum thickness of 3/4 in. (19 mm).

Protect the entire surface of the product during installation to prevent damage.

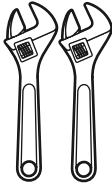
TOOLS/MATERIALS REQUIRED (NOT SUPPLIED)



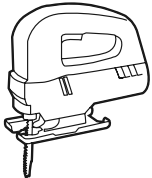
Measuring tape



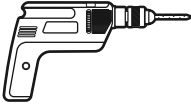
Carpenter's square



Wrenches (2)



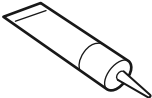
Saber-saw or Jig-saw



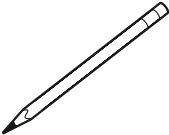
Electric drill with 3/8 in. (10 mm) drill bit and 1 in. (25.4 mm) hole saw



Pipe wrench



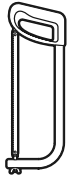
Silicone Sealant



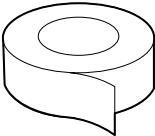
Pencil



Flathead screwdriver



Hacksaw



Thread Seal



Safety gloves



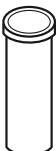
Safety goggles

PARTS REQUIRED (NOT SUPPLIED)

NOTE:
Parts not shown to actual size.



Plastic flange (2)



Tail pipe (2)



Connecting nut (2)

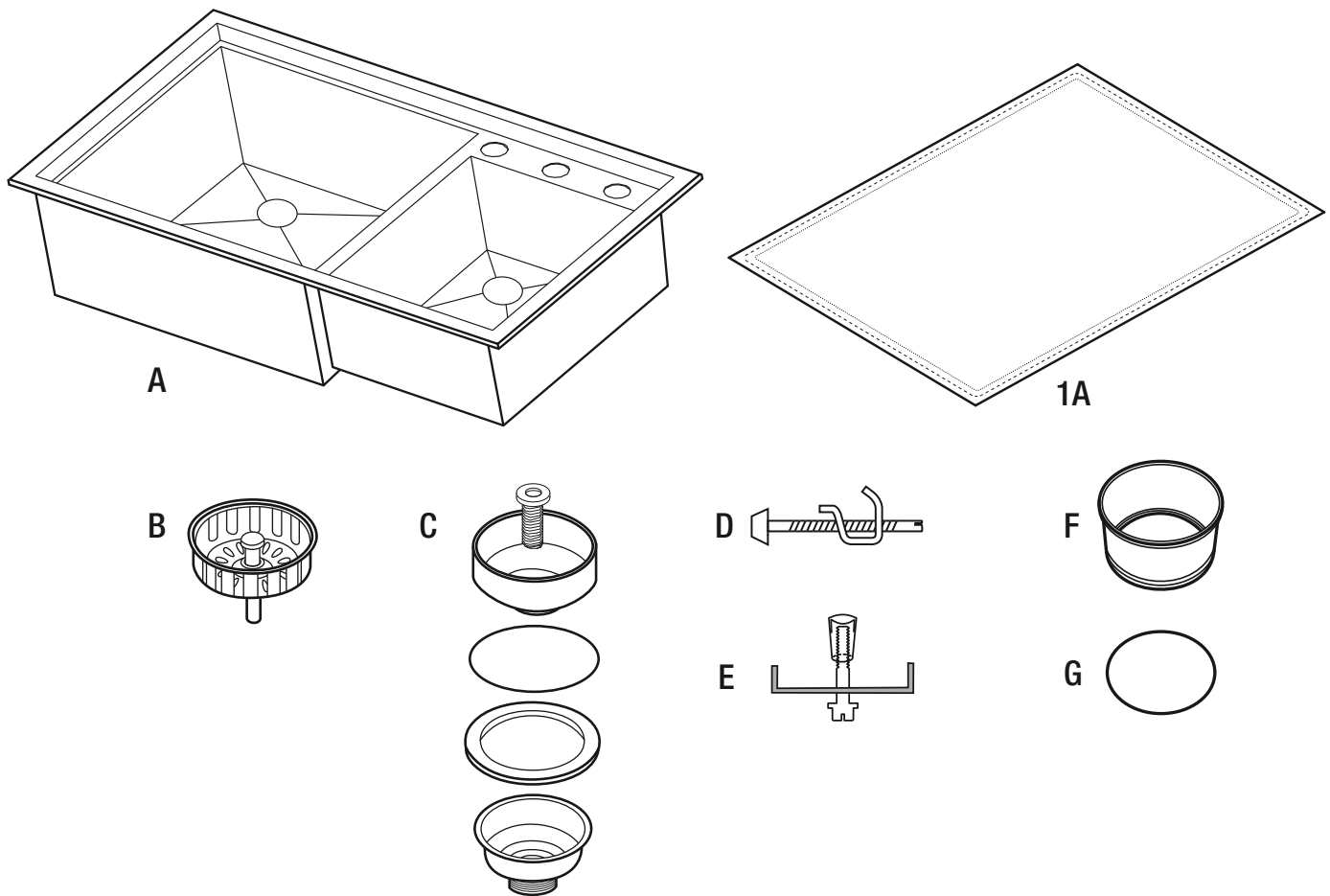


Supply lines

Pre-Installation (continued)

PACKAGE CONTENTS

ENGLISH



Part	Description	Quantity
1A	Sink Mounting Template	1
A	Stainless Steel Sink	1
B	Vanishing Edge™ Strainer	2
C	Strainer Assembly	2
D	Topmount Clips	10
E	Undermount Clips	10
F	Garbage Disposer Adaptor	1
G	Rubber Ring	1

Installation

UNDERMOUNT INSTALLATION

PREPARING THE AREA

NOTE:

Undermount sinks are mounted from below the counter. If you are installing a topmount or “drop-in” sink, please see “topmount installation” on page 9.

It is highly recommended that undermounting be performed by a professional installer. Improper installation will void the warranty. Sink template (1A) shows cut-lines for both undermount and topmount installations. Review it carefully and follow the undermount cut-lines only to install the sink under your counter.

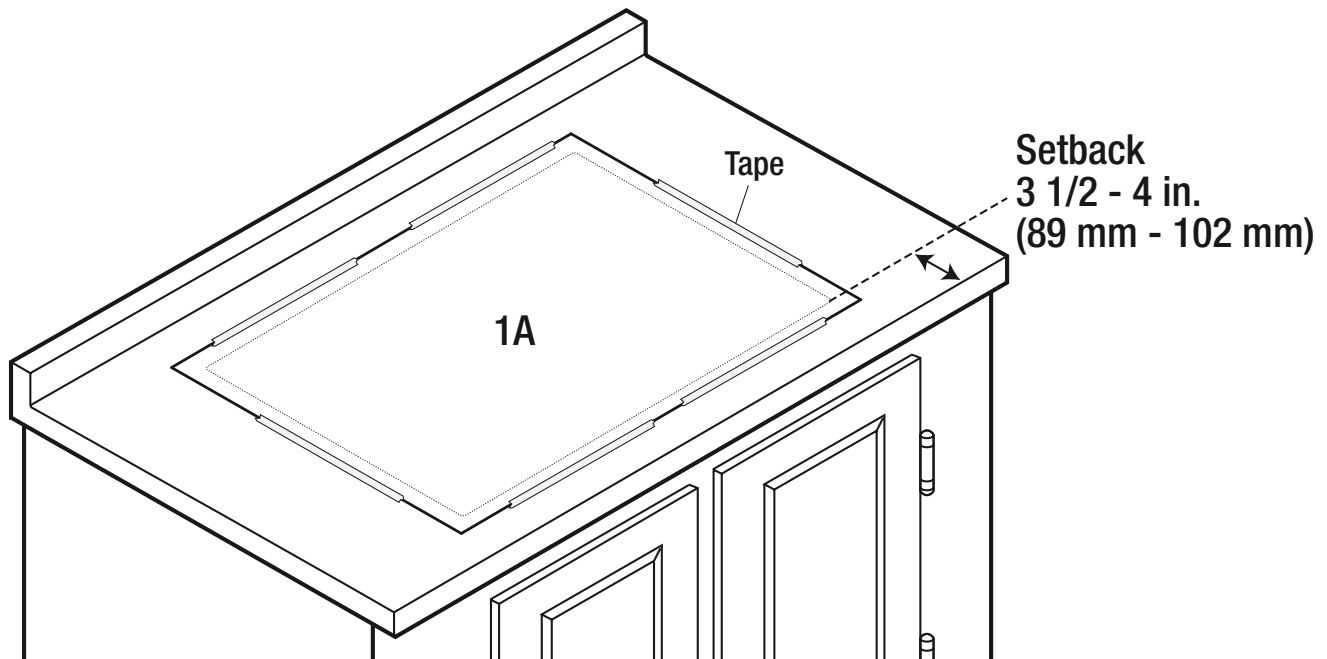
- Remove the sink template (1A) from the box.
- Place the template (1A) on the desired counter space surface. Keep in mind that the typical setback is 3 1/2 - 4 in. (89 mm - 102 mm) from the front of the counter to the sink bowl (depending on the cabinet structure, the counter overhang, the type of sink bowl, and the deck size).
- Make sure the template (1A) is parallel to the front of the counter.

CUTTING THE COUNTER



CAUTION: Always wear safety goggles and gloves when using power tools to prevent personal injury.

- Ensure that the template (1A) is placed so that the sink will clear all objects and the mounting hardware can be installed. Secure the template to the counter top using masking tape.
- Place a support underneath the cut-out portion of the counter to prevent it from falling during cutting. Use an appropriate saw to cut along the undermount cutline.

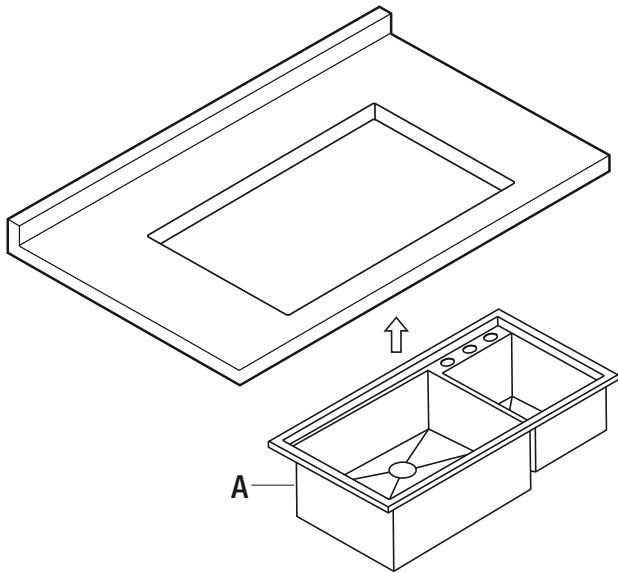


Undermount installation

Installation (continued)

TESTING THE FIT OF THE SINK

- Place the sink (A) underneath the cut-out in the counter to test its fit. Ensure that the reveal is equal on all four sides when viewed from above. Make adjustments to the cut-out if necessary.
- When you are satisfied with the location of the sink (A), mark the location of the edge of the counter cut-out on top of the sink and all around the sink flange underneath the counter.
- Set the sink aside and proceed with the rest of the installation.

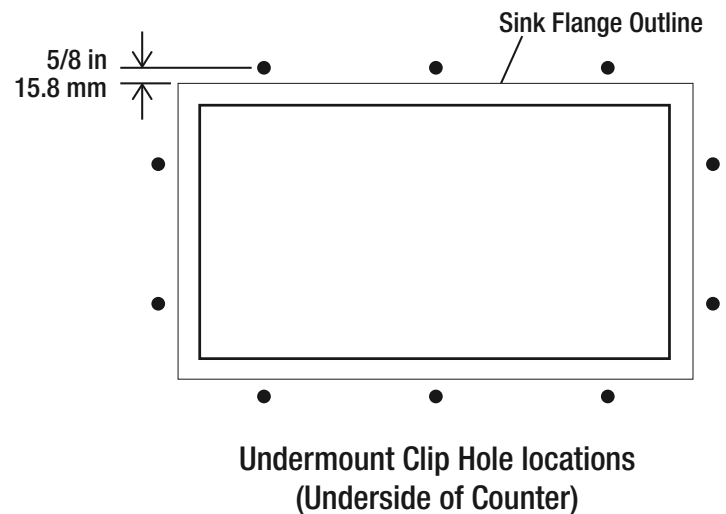


DRILLING THE HOLES FOR THE UNDERMOUNT CLIPS



CAUTION: Always wear safety goggles and gloves when using power tools to prevent personal injury.

- On the underside of the counter, mark the location of the ten holes for the undermount clips (E). These holes should be equally spaced around the sink flange outline as shown below. They should be set back from the sink flange outline by 5/8 in (15.8mm).
- Using an electric drill with a 3/8 in. (10 mm) drill bit, drill each hole so that it is 3/8 in. (10 mm) in diameter and 5/8 in. (15.8 mm) deep. Use a drill bit depth stop to ensure you do not drill through the counter top.

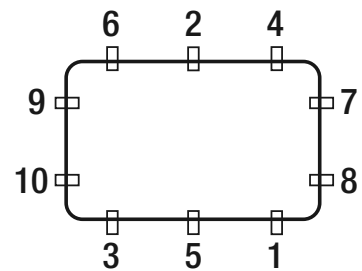
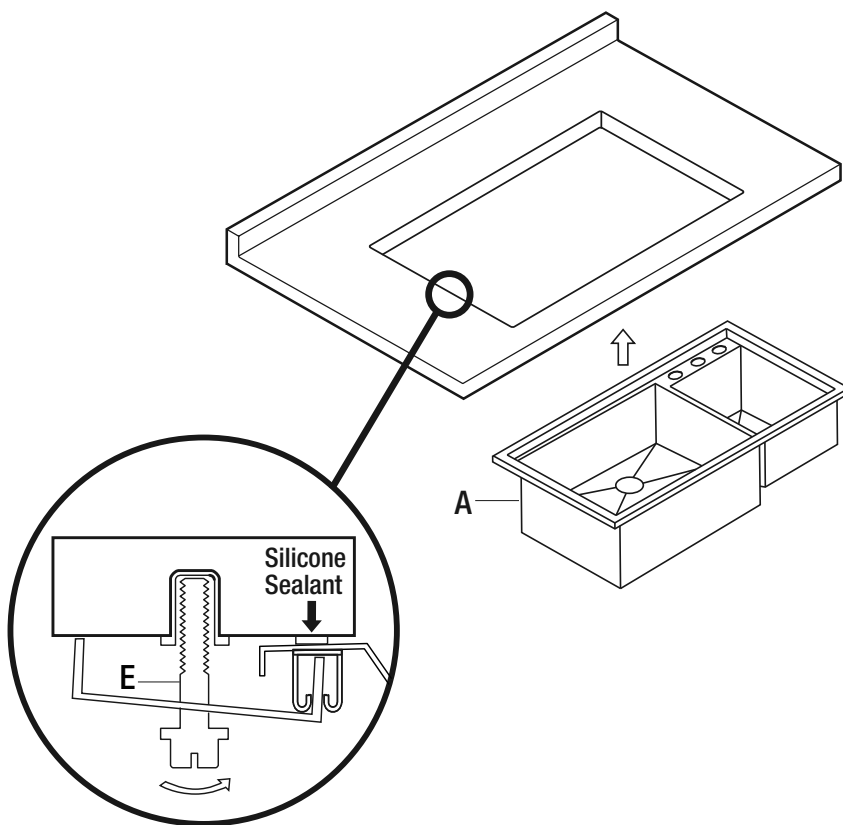


INSTALLING THE SINK

NOTE:

Install the faucet according to the manufacturer's instructions before this step. Install the vanishing edge™ strainer according to the instructions before completing this step. See page 11.

- Press fit the threaded anchor inserts (E) into the holes drilled into the underside of the countertop. Use a bolt to make this process easier if required.
- Loosely thread the undermount bolts and clips into the threaded anchor inserts and align them parallel to the sink flange outline so they do not interfere with the placement of the sink.
- Place a small bead of silicone sealant (not included) around the outer top perimeter of the sink flange as shown below.
- Carefully place the sink (A) into its location under the counter, lining up the pencil marks on the top of the sink that you made when you tested the fit of the sink.
- Carefully rotate the clamps of the undermount clips (E) over the clamp bar on the sink (A) and gently tighten the bolts (see tightening sequence) of the undermount clips (E), working from side to side to fasten the sink (A) firmly. Recheck the alignment visually from above.
- Wipe away any excess silicone and, for best results, allow the bond to rest undisturbed for 8 hours or overnight.
- Install the counter, faucet, and all other plumbing as per manufacturer's instructions if you hadn't already done so.



Tightening sequence for clips

SUPPLY LINES (NOT INCLUDED)

The supply lines, which connect the faucet to the household water system, are not supplied with this unit. They need to be purchased separately. Follow the supply line manufacturer's instructions for proper installation.

TOPMOUNT INSTALLATION

PREPARING THE AREA

NOTE:

Topmount sinks are dropped into the counter from above. If you are installing an undermount sink, please see "undermount installation". Sink template (1A) shows cut-lines for both undermount and topmount installations. Review it carefully and follow the outer topmount cut-lines only to install the sink over your counter.

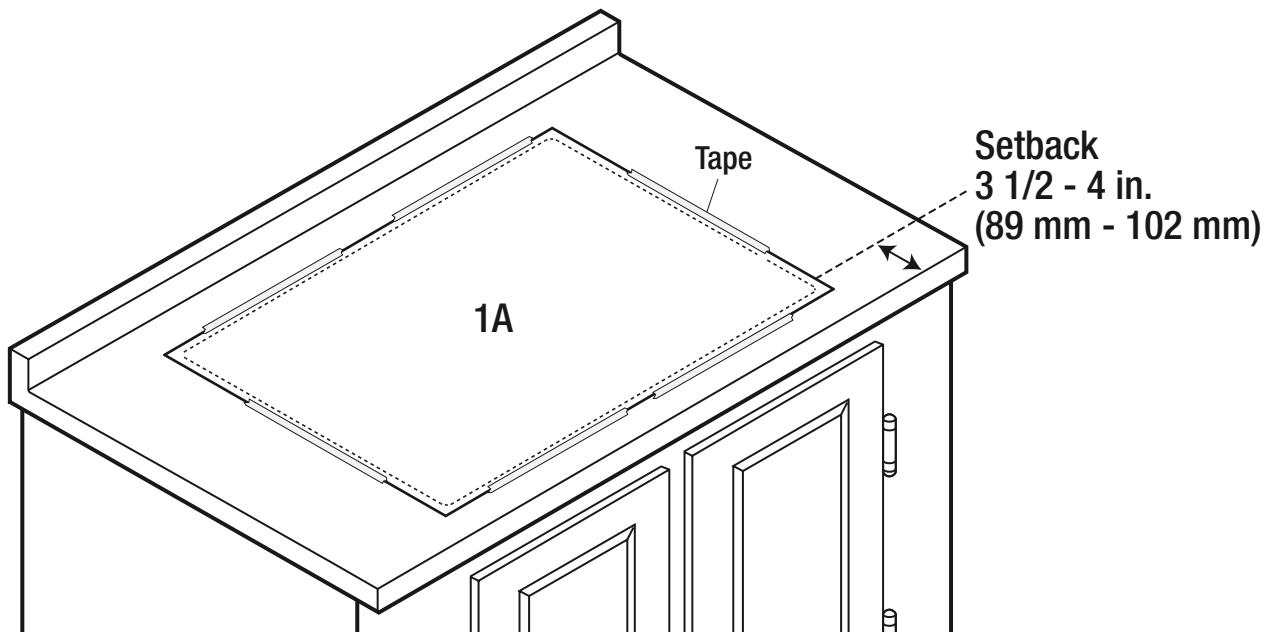
- Remove the sink template (1A) from the box
- Center the template (1A) on the counter so that it is parallel to the front of the counter (ensuring that it will not interfere with the inside structure of the cabinet or the counter). It must clear the overhang of the counter and the front inside face of the cabinet.
- Keep in mind that the typical setback is 3 1/2 - 4 in. (89 mm - 102 mm) from the front of the counter to the sink bowl (depending on the cabinet structure, the counter overhang, the type of sink bowl, and the deck size).
- Ensure there is adequate clearance to install the mounting hardware underneath the counter.

CUTTING THE COUNTER



CAUTION: Always wear safety goggles and gloves when using power tools to prevent personal injury.

- Secure the sink template (1A) to the counter top using masking tape.
- Place a support underneath the cut-out portion of the counter to prevent it from falling during cutting. Use an appropriate saw to cut along the topmount cutline.
- Insert the sink (A) into the cut-out in the counter to test the fit. Make adjustments to the cut-out, if necessary.



Topmount installation

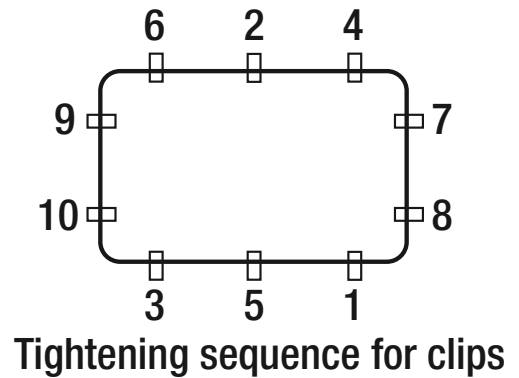
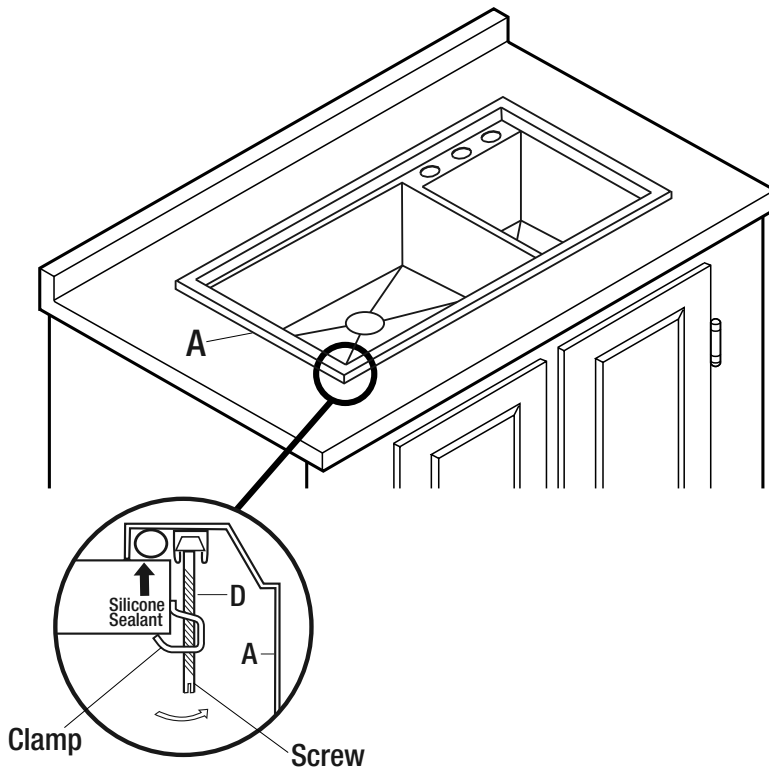
Installation (continued)

INSTALLING THE SINK

NOTE:

Install the faucet according to the manufacturer's instructions before completing this step. Install the vanishing edge™ strainer according to the instructions before completing this step. See page 11.

- Apply silicone sealant (not included) around the underside of the flange of the sink (A) on all four sides as shown below.
- Install the topmount clips (D) into the clip channels of the sink (A) as shown in the figures below.
- Carefully lower the sink (A) into the counter, ensuring that the topmount clips (D) do not catch on the counter edges.
- Adjust each topmount clip (D) along the rails so that they are evenly spaced around the sink (A).
- Rotate the clamps of the topmount clips (D) such that they engage the counter, and tighten the screws progressively (see tightening sequence below) until the sink flange is flush with the counter. Check the alignment as you tighten so that the front of the sink (A) is parallel to the front of the counter. Adjust and re-tighten if necessary. Do not over tighten.
- Wipe away any excess sealant with a rag and allow it to set before proceeding with the rest of the installation.



SUPPLY LINES (NOT INCLUDED)

The supply lines, which connect the faucet to the household water system, are not supplied with this unit. They need to be purchased separately. Follow the supply line manufacturer's instructions for proper installation.

Installation (continued)

INSTALLING THE VANISHING EDGE™ STRAINERS

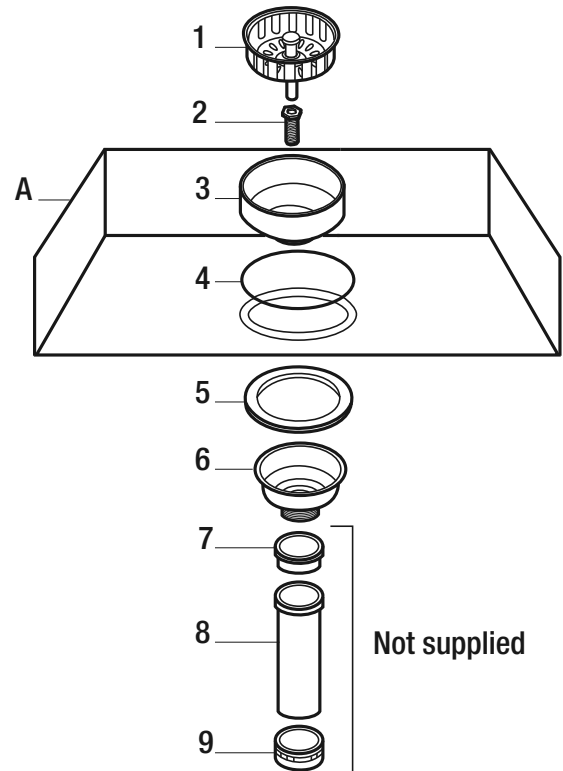
NOTE:

If you are installing a garbage disposer (not supplied), do not install the strainer. Included with this item is a garbage disposer adaptor. This will replace the flange from your garbage disposer. Install the garbage disposer according to the manufacturer's installation instructions replacing the flange for the adaptor.

- Apply a small amount of plumbers putty (not included) in the notch around the drain hole of the sink (A).
- Connect the upper strainer body (3) and the strainer ring (4), and insert them into the drain hole from the top of the sink (A).
- Connect the strainer gasket (5) and lower strainer body (6), and insert them into the drain hole from underneath the sink (A).
- Insert the strainer screw (2) through the entire assembly, from the upper strainer body (3) to the lower strainer body (6). Tighten with a flathead screwdriver.
- Connect the plastic flange (7) and the tail pipe (8), and thread the connecting nut (9) through the tail pipe and flange up to the lower strainer body (6). Tighten the connecting nut by hand.

NOTE:

The plastic flange (7), tail pipe (8), and connecting nut (9) are not supplied.

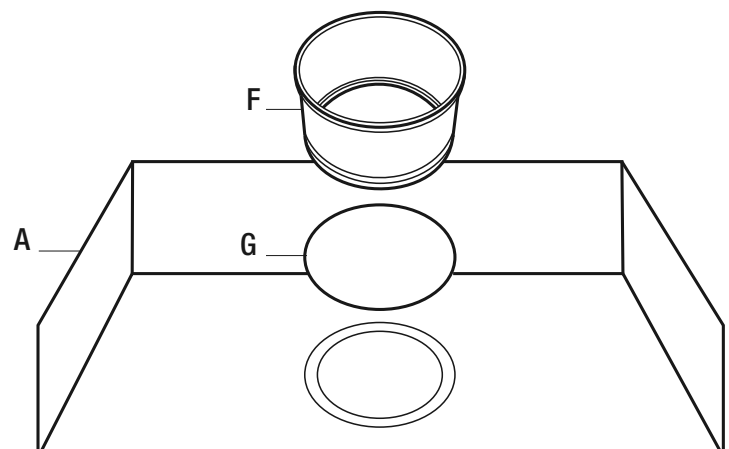


INSTALLING THE GARBAGE DISPOSER

NOTE:

If you are installing a garbage disposer (not supplied), do not install a strainer in the sink. Adaptor (F) is intended for use with metal waste disposer mounting flanges.

- To install a garbage disposer, place the rubber ring (G) around the underside lip of the adaptor (F).
- Insert the adaptor (F) into the drain hole of the sink (A).
- Install the garbage disposer to the adaptor (F) according to the garbage disposer manufacturer's installation instructions.



Care and Cleaning

Your sink is manufactured with the highest grade stainless steel and will provide you many years of enjoyment with the proper care.

ENGLISH

Do

- After use, always rinse your sink with tap water to dilute and remove deposits.
- Towel dry the sink after use whenever possible to prevent water spots. Should water spots occur, clean with a mild solution of vinegar and water followed by a thorough rinse.
- Use liquid soap, a general household cleaner, or a weak solution of vinegar and water for regular cleaning.
- Only use plastic scouring pads recommended for use in stainless steel sinks, and only use them in the bowl of the sink. Scrub in the direction of the grain (original polish lines).

Do Not

- Do not allow any food, detergent, soap or grease to dry or sit for extended periods of time on the surface of the sink.
- Never use abrasive cleaning products, as they will dull and scratch the finish.
- Do not use scouring pads on the deck, as they will dull the mirror finish.
- Never use steel wool pads, as they will leave iron particles on the sink, which will cause corrosion.
- Never leave steel or cast iron pans in your sink for extended periods of time, as this can cause corrosion.
- Never use chlorine-based cleaners in your new sink, they could lead to rust spots and discoloration. If you must use them, rinse sink thoroughly with fresh water immediately after use. If any chemicals or glue make contact with the sink during installation, wipe clean and rinse thoroughly with fresh water.

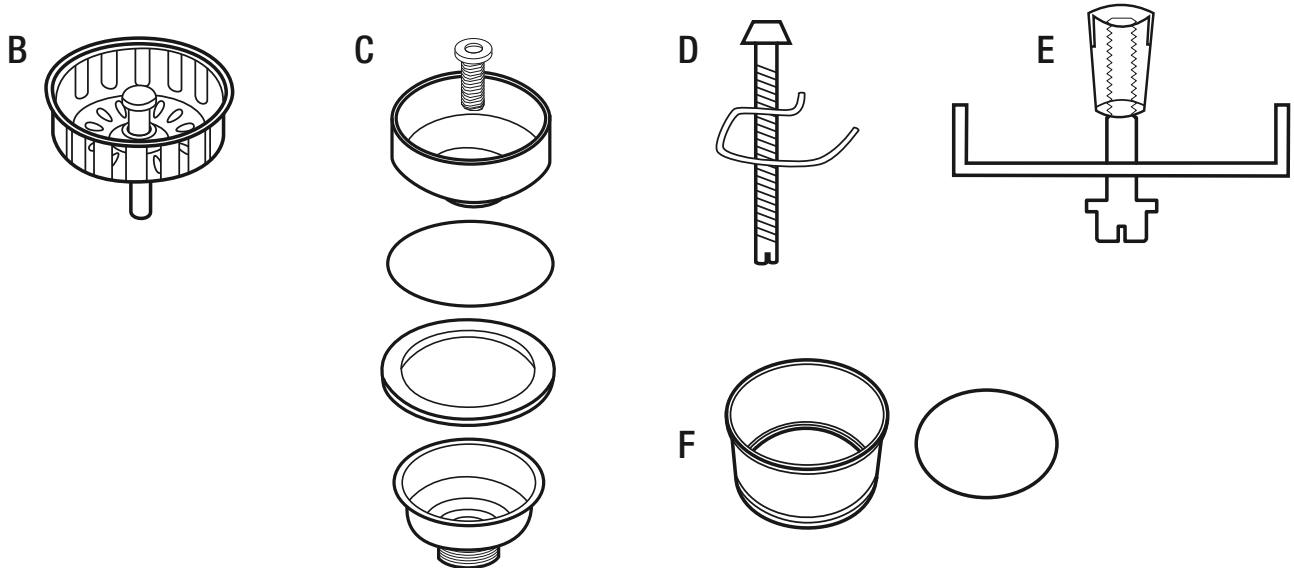
SCRATCH, SPOT, AND BLEMISH REMOVAL AND SURFACE RESTORATION:

Little rust spots and blemishes that periodically appear in the sink are typically the result of the steel interacting with the chemicals found in the vast spectrum of substances that sinks are commonly exposed to. They may also get transferred from other objects placed or left in the sink. Scratches are the result of regular wear and tear.

To remove scratches, spots, and blemishes from the sink, rub them with a non-metallic scouring pad (e.g. Scotch-Brite®) combined with a mild abrasive cleaner (e.g. Barkeeper's Friend®). Always rub the surfaces in the direction of the grain of the steel. When finished, rinse the sink with water and dry it with a towel to allow the sink to form a protective outer layer. This procedure can also be used to renew all of the surfaces of the sink.

Service Parts

If you are missing parts or if you require replacement parts, please call our customer service team at 1-855-HD-GLACIER, 8:00 am - 7:00 pm, EST, Monday - Friday, 9:00 am - 6:00 pm, EST, Saturday. Identify the required part(s) and have the part number(s) ready.



Part	Description	Code	Quantity
B	Vanishing Edge™ Strainer	QHS113	2
C	Strainer Assembly	QHS155	2
D	Topmount Clips	QHS108	10
E	Undermount Clips	QHS109	10
F	Garbage Disposer Adaptor and Gasket	QHS112	1

Tabla de materias

OWNER'S MANUAL 2

Tabla de materias 14

Información de seguridad 14

Garantía

Garantía de un año contra defectos de fábrica 15

Procedimiento de reclamación de garantía 15

Preinstalación

Planificación de la instalación 16

Herramientas/Materiales necesarios 16

Piezas requeridas 16

Contenido del paquete 17

Instalación

Montaje inferior 18

Montaje superficial 21

Cómo instalar el colador sin bridas 23

Cómo instalar el triturador de basura (opcional) 23

Cuidado y limpieza 24

Piezas de repuesto 25

Información de seguridad

LEA Y GUARDE ESTAS INSTRUCCIONES

1. Examine la unidad antes de proceder. Verifique si la superficie presenta defectos o daños, abolladuras, curvaturas, golpes o marcas por rozaduras. Si observa algún daño, no le instale.
2. Utilice esta unidad exclusivamente de la manera concebida por el fabricante; si tiene preguntas, comuníquese con el fabricante.
3. La instalación debe cumplir con todos los códigos locales de fontanería. Solicite los servicios de un instalador calificado para realizar o aprobar la instalación.
4. Proteja la superficie total del producto durante la instalación para evitar daños.



PRECAUCIÓN : Use guantes y gafas de seguridad en todo momento para evitar lesiones personales.

GARANTÍA LIMITADA DE UN AÑO

Debe hacerse una inspección a conciencia antes de la instalación y cualquier daño debe ser reportado inmediatamente. No seremos responsables de las fallas o daños que pudieran haberse descubierto o evitado con una inspección y pruebas adecuadas antes de la instalación.

Garantizamos este producto contra todo defecto en los materiales o en la fabricación, durante un (1) año. Una prueba de compra (factura original) del comprador/consumidor deberá acompañar toda reclamación hecha a nosotros.

Esta garantía no es transferible y será anulada si la unidad se quita del lugar donde se instaló inicialmente o si no se instala de acuerdo con las instrucciones del fabricante. La garantía no se aplica en caso de daños al producto debido al uso de otros repuestos, (las piezas de repuesto pueden obtenerse por llamando al 1-855-HD-GLACIER, 8 a 19 horas, hora del este, lunes a viernes, 9:00 a.m. - 6:00 p.m., hora del este, sábado) error de instalación, abuso, mal uso, cuidado incorrecto o mal mantenimiento (ya sea realizada por un plomero, fontanero, contratista, proveedor de servicios o un miembro de la familia del comprador). La garantía excluye los daños causados por condiciones agresivas de aire, agua, abrasivos, limpiadores y/o materiales.

Bajo ninguna circunstancia seremos responsables de lesiones personales o daños a la propiedad que resulten de una instalación o de un uso inapropiado de este producto. No seremos responsables por inconvenientes ocasionados por pérdida de uso de este producto, costos incurridos en mano de obra o materiales, retiro e instalación de unidades de remplazo, ni ningún otro daño incidental o consecuente. Los costos relacionados con la reparación o el reemplazo son la responsabilidad del usuario.

Nuestra obligación se limita a la reparación o reemplazo de una unidad (a nuestra discreción) que pueda comprobarse, únicamente al examinarla por nosotros, que tiene defectos bajo un uso y servicio normal durante el periodo de garantía.

Cualquier falla de este producto que no sea identificable como un defecto en materiales o de fabricación no estará cubierto por la garantía. Estos artículos que no se pueden garantizar incluyen, pero no se limitan a:

- Instalación indebida que no siga las instrucciones del fabricante.
- Abolladuras, golpes y marcas ocasionadas durante el transporte, manejo o instalación.
- Cambio de color o en el acabado debido al uso de productos químicos.
- Daños ocasionados por no seguir las instrucciones de cuidado y limpieza, incluyendo daños ocasionados por el uso de limpiadores abrasivos.
- Alteraciones hechas a la unidad por parte del comprador o el instalador.
- Daños ocasionados por impacto accidental, fuego, inundaciones, congelamiento y por el desgaste normal.
- Dobleces y deformaciones a consecuencia de conexiones forzadas, accesorios apretados en exceso y soporte inadecuado durante la instalación.
- Daño provocado por el uso de limpiadores a base de cloro.

Esta garantía no cubre el uso o la instalación comercial ni institucional.

PROCEDIMIENTO DE RECLAMACIÓN DE GARANTÍA

Si ocurre un defecto por el que se puede presentar una reclamación, por favor contacte nuestro equipo de servicio al cliente al 1-855-HD-GLACIER (8 a 19 horas, hora del este, lunes a viernes, 9:00 a.m. - 6:00 p.m., hora del este, sábado).

Antes de llamar para presentar una reclamación, por favor asegúrese que tiene:

- La descripción o el número de modelo.
- El comprobante de venta.
- Los detalles del defecto.
- Nombre(s) y domicilio(s) del propietario y del instalador.

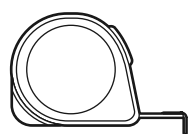
PLANIFICACIÓN DE LA INSTALACIÓN

Examine la unidad antes de proceder. Verifique si la superficie presenta defectos o daños, incluidos abolladuras, curvaturas, golpes o marcas por rozaduras. Si observa algún daño, no la instale. Informe sobre los daños inmediatamente.

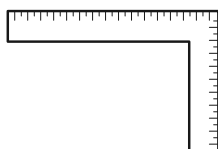
Puede optar por instalar este fregadero de dos formas: montaje inferior (desde abajo de la encimera) o montaje superior (desde arriba de la encimera). Debe instalar este fregadero únicamente en una encimera de al menos 36 pulg. (914 mm) de ancho con una superficie sólida que tenga un grosor mínimo de al menos 3/4 pulg. (19 mm).

Proteja la superficie total del producto durante la instalación para evitar daños.

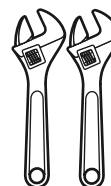
HERRAMIENTAS/MATERIALES REQUERIDOS (NO SUMINISTRADOS)



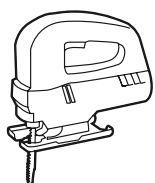
Cinta de medir



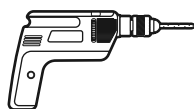
Escuadra de carpintero



Llaves (2)



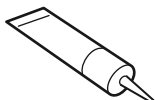
Cierra recíprocante



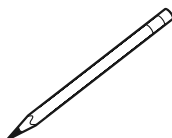
Taladro eléctrico con broca para taladro de 3/8 pulg. (10 mm) y sierra perforadora de 1 pulg. (25,4 mm)



Llave de tubos



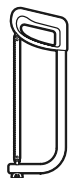
Sellador de silicona



Lapiz



Desarmador plano



Sierra de mano



Cinta adhesiva



Guantes de seguridad



Gafas de seguridad

PIEZAS REQUERIDAS (NO SUMINISTRADAS)

NOTA:

Las piezas no se muestran al tamaño real.



Brida plástica (2)



Tubo final (2)



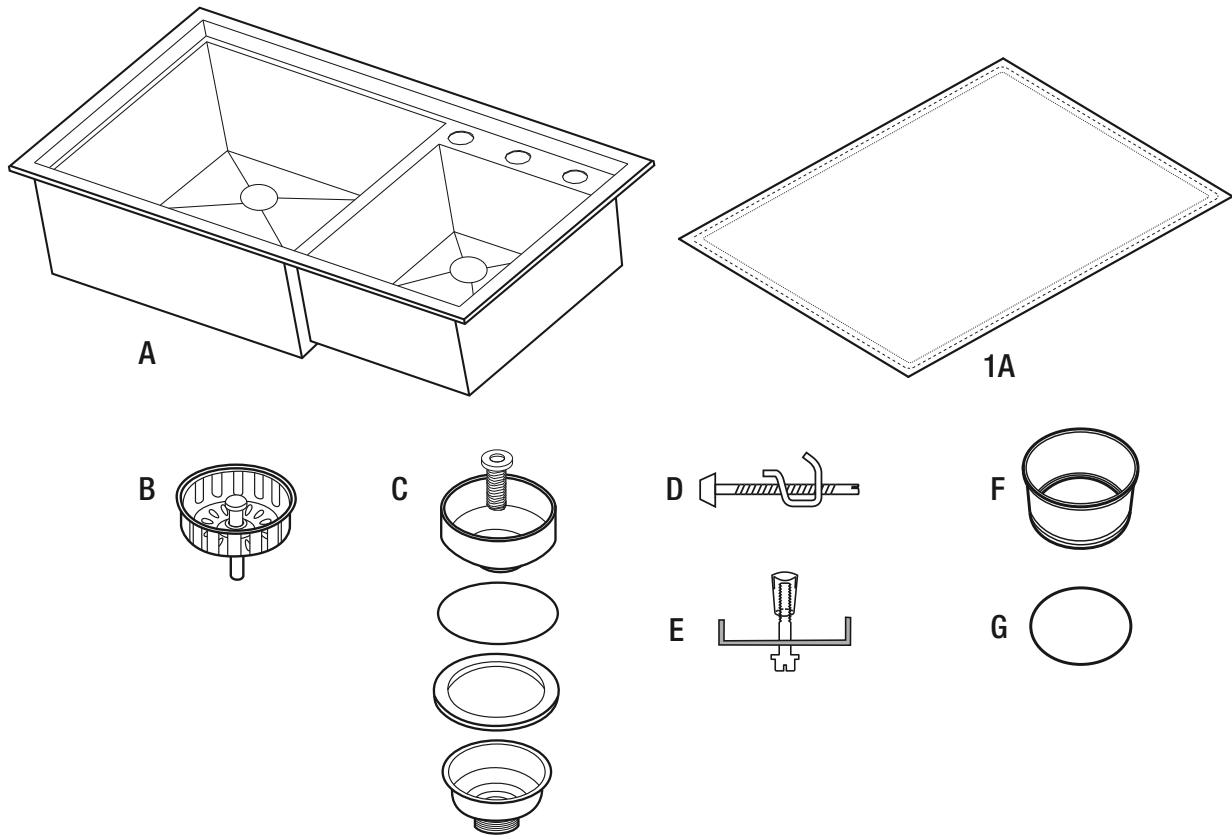
Tuerca de conexión (2)



Líneas de alimentación

Preinstalación (continuación)

CONTENIDO DEL PAQUETE



Pieza	Descripción	Cantidad
1A	Plantilla para montaje	1
A	Fregadero de acero inoxidable	1
B	Colador sin bridas	2
C	Conjunto de colador	2
D	Presillas de montaje superficial	10
E	Presillas de montaje inferior	10
F	Adaptador del triturador de basura	1
G	Empaquetadura de goma	1

MONTAJE INFERIOR

NOTA :

Los fregaderos bajo encimera se instalan desde la parte inferior de la encimera. Si está instalando un fregadero de montaje superficial o de encastre, consulte la sección correspondiente a "montaje superficial", en la página 21.

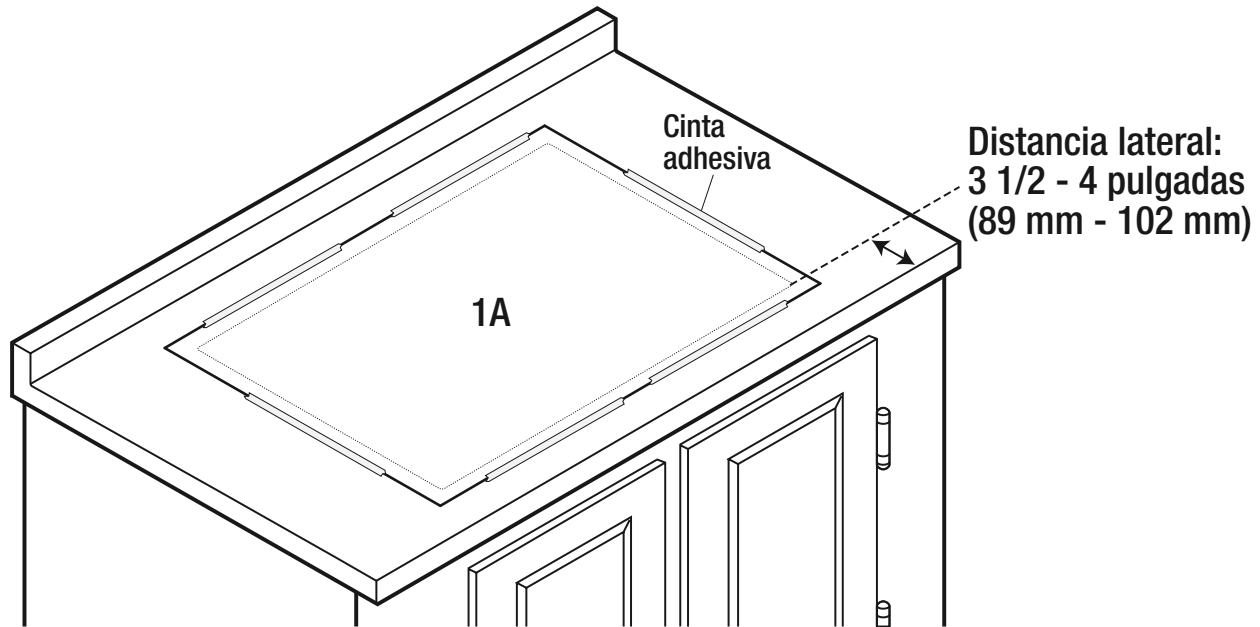
Recomendamos que un instalador profesional realice la instalación bajo encimera. Una instalación incorrecta anulará la garantía. La plantilla para montaje (1A) indica las líneas de corte para ambos tipos de montaje: bajo encimera y superficial. Exáminela atentamente y siga las líneas de corte correspondientes al montaje bajo encimera solo para instalar el fregadero por debajo de la encimera.

- Retire la plantilla para montaje (1A) de la caja.
- Coloque la plantilla (1A) sobre el espacio de la encimera que prefiera. Tenga presente que la distancia lateral que se suele utilizar es de 3 1/2 - 4 pulgadas (89 mm - 102 mm) desde el frente de la encimera hasta el recipiente del fregadero (según la estructura de la alacena, el voladizo de la encimera, el tipo de recipiente del fregadero y el tamaño de la plataforma).
- Procure que la plantilla (1A) quede paralela a la parte delantera de la encimera.



PRECAUCIÓN: Use guantes y gafas de seguridad en todo momento para evitar lesiones personales.

- Procure que la plantilla (1A) se ubique de forma tal que el fregadero quede alejado de todos los objetos y que se puedan instalar los accesorios de montaje. Sujete la plantilla a la parte superior de la encimera, con cinta adhesiva.
- Coloque un soporte debajo de la abertura a realizar en la encimera, para evitar que se caiga durante el corte. Utilice una sierra adecuada para cortar por la línea de corte correspondiente al montaje inferior.

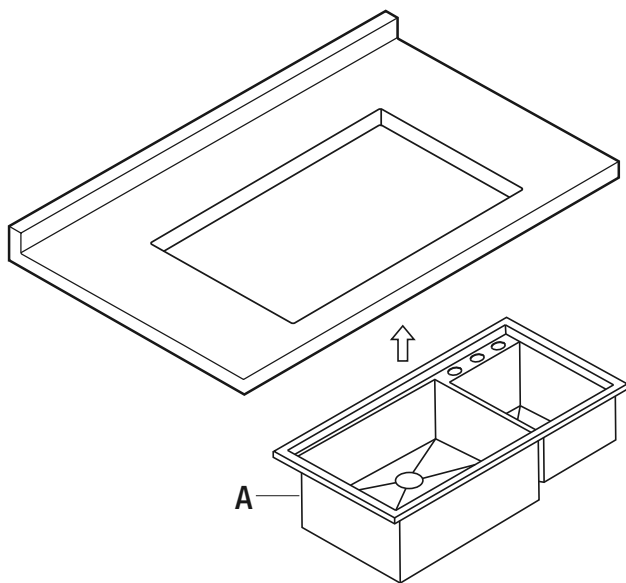


Montaje inferior

Instalación (continuación)

CÓMO PROBAR EL ENCAJE DEL FREGADERO

- Coloque el fregadero (A) debajo del corte de la encimera para probar su encaje. Procure que el moquete sea igual en los cuatro lados, cuando se lo ve desde arriba. Realice ajustes en caso de ser necesario.
- Cuando esté conforme con la ubicación del fregadero (A), marque la posición del borde de la abertura de la encimera, en la parte superior del fregadero y en todo el contorno de la brida del fregadero, por debajo de la encimera.
- Aparte el fregadero y continúe con el resto de la instalación.

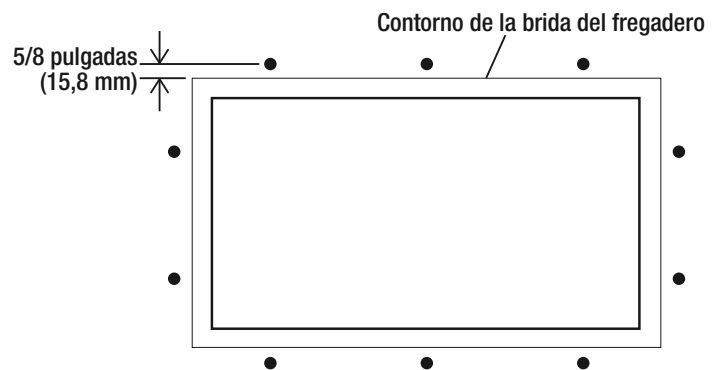


CÓMO PERFORAR LOS ORIFICIOS PARA LOS GANCHOS DE MONTAJE INFERIOR



PRECAUCIÓN: Use guantes y gafas de seguridad en todo momento para evitar lesiones personales.

- En la parte inferior de la encimera, marque la ubicación de los diez orificios para las presillas de montaje inferior (E). Estos orificios se deben ubicar a intervalos regulares, en el contorno de la brida del fregadero, tal como se muestra más abajo. Es necesario separarlos del contorno de la brida del fregadero, alrededor de 5/8 pulgadas (15,8 mm).
- Con ayuda de un taladro eléctrico provisto de una broca de 3/8 pulgadas (10 mm), perfora cada orificio para que mida 3/8 pulgadas (10 mm) de diámetro y 5/8 pulgadas (15,8 mm) de profundidad. Utilice un tope de profundidad de la broca para asegurarse de no perforar la parte superior de la encimera.



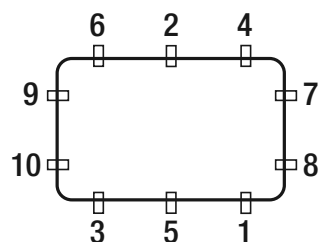
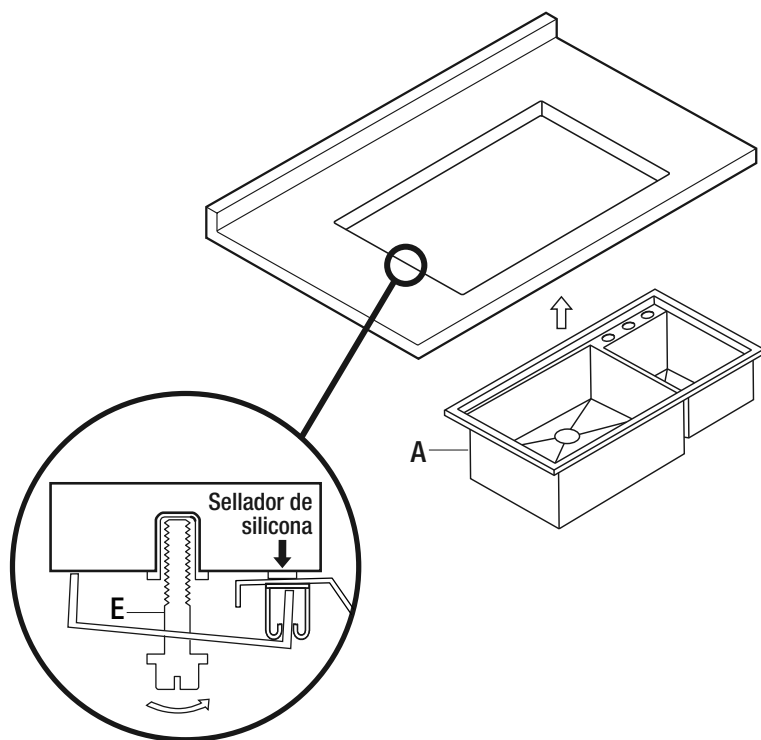
Ubicaciones de los orificios para las presillas de montaje inferior
(Parte inferior de la encimera)

CÓMO INSTALAR EL FREGADERO

NOTA :

Antes de este paso, instale el grifo de acuerdo con las instrucciones del fabricante. Antes de completar este paso, instale el escurridor Vanishing edge™ siguiendo las instrucciones. Consulte la página 23.

- Ajuste a presión los insertos roscados (E) en los orificios de la parte inferior de la encimera. Si es necesario, utilice un tornillo para facilitar este proceso.
- Coloque, sin apretar demasiado, los tornillos y las presillas en los insertos roscados, y ubíquelos en línea, en forma paralela al contorno de la brida del fregadero, para que no interfieran con la colocación del fregadero.
- Coloque una línea de sellador de silicona (no incluido) alrededor del perímetro superior externo de la brida del fregadero, como se muestra más abajo.
- Ubique cuidadosamente el fregadero (A) en su lugar, debajo de la encimera, alineando las marcas que realizó con lápiz en la parte superior del fregadero, cuando probó el encastre.
- Gire cuidadosamente las abrazaderas de las presillas de montaje inferior (E) sobre la barra de abrazadera del fregadero (A) y ajuste suavemente los tornillos (consulte la secuencia de ajuste) de las presillas de montaje inferior (E), trabajando de lado a lado para ajustar firmemente el fregadero (A). Controle nuevamente la alineación, observando desde arriba.
- Limpie todo exceso de silicona y, para obtener mejores resultados, deje secar durante ocho horas o toda la noche.
- Instale la encimera, el grifo y la plomería, según las instrucciones del fabricante.



Secuencia de ajuste de las presillas

ENSAMBLAJE DE LOS TUBOS DE ABASTECIMIENTO DE AGUA (NO SUMINISTRADOS)

Las líneas de abastecimiento, que conectan el grifo al suministro de agua de la casa, no vienen incluidos con en esta unidad. Se compran por separado. Siga las instrucciones del fabricante para instalar las líneas de abastecimiento de manera adecuada.

MONTAJE SUPERFICIAL

NOTA :

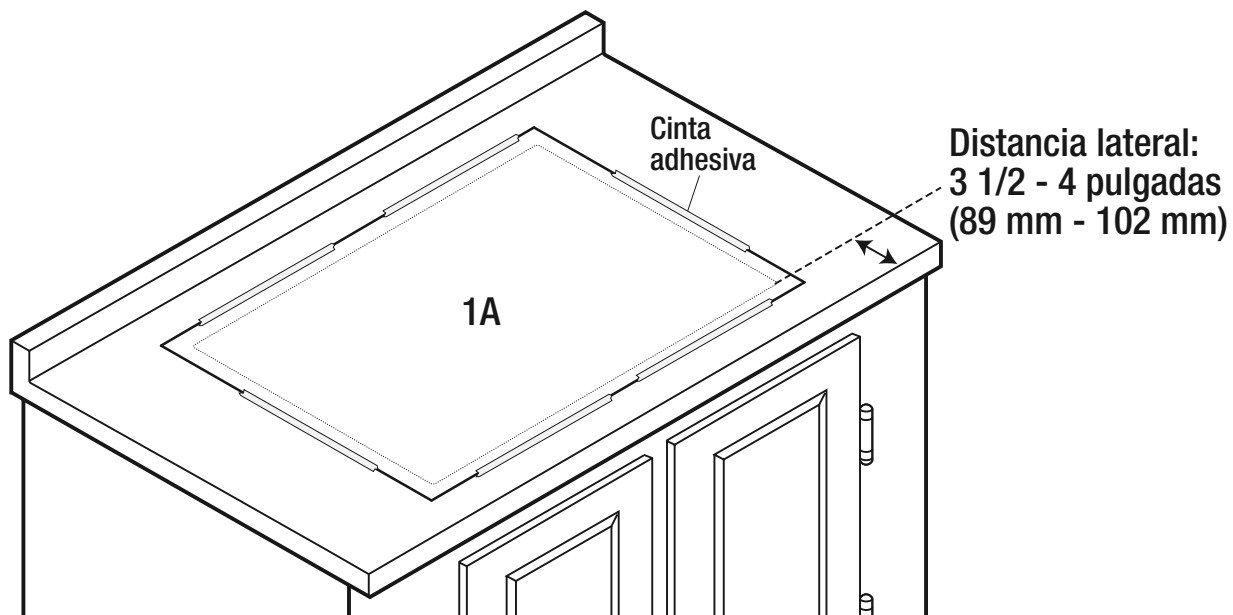
Los fregaderos superficiales se colocan en la encimera desde arriba. Si está instalando un fregadero bajo encimera, consulte la sección correspondiente a "montaje inferior". La plantilla para montaje (1A) indica las líneas de corte para ambos tipos de montaje: bajo encimera y superficial. Exámínela atentamente y siga las líneas de corte exterior correspondientes al montaje superficial, únicamente para instalar el fregadero sobre la encimera.

- Retire la plantilla para montaje (1A) de la caja.
- Centre la plantilla (1A) sobre la encimera, a fin de que quede paralela al frente de la encimera (procurando que no interfiera con la estructura interior de la alacena o de la encimera). Debe quedar alejado del voladizo de la encimera y de la cara delantera interna de la alacena.
- Tenga presente que la distancia lateral que se suele utilizar es de 3 1/2 - 4 pulgadas (89 mm - 102 mm) desde el frente de la encimera hasta el recipiente del fregadero (según la estructura de la alacena, el voladizo de la encimera, el tipo de recipiente del fregadero y el tamaño de la plataforma).
- Procure dejar el espacio suficiente para instalar los accesorios de montaje por debajo de la encimera.



PRECAUCIÓN: Use guantes y gafas de seguridad en todo momento para evitar lesiones personales.

- Fije con cinta adhesiva la plantilla para montaje (1A) a la parte superior de la encimera.
- Coloque un soporte debajo de la abertura realizada en la encimera, para evitar que se caiga durante el corte. Utilice una sierra adecuada para cortar por la línea de corte superficial.
- Inserte el fregadero (A) en la abertura de la encimera, para probar su encastre. Si es necesario, modifique la abertura.



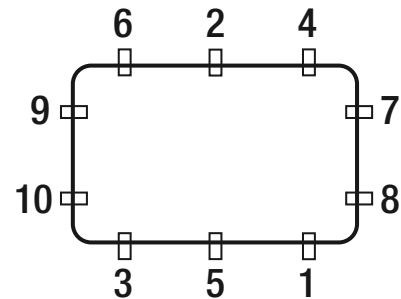
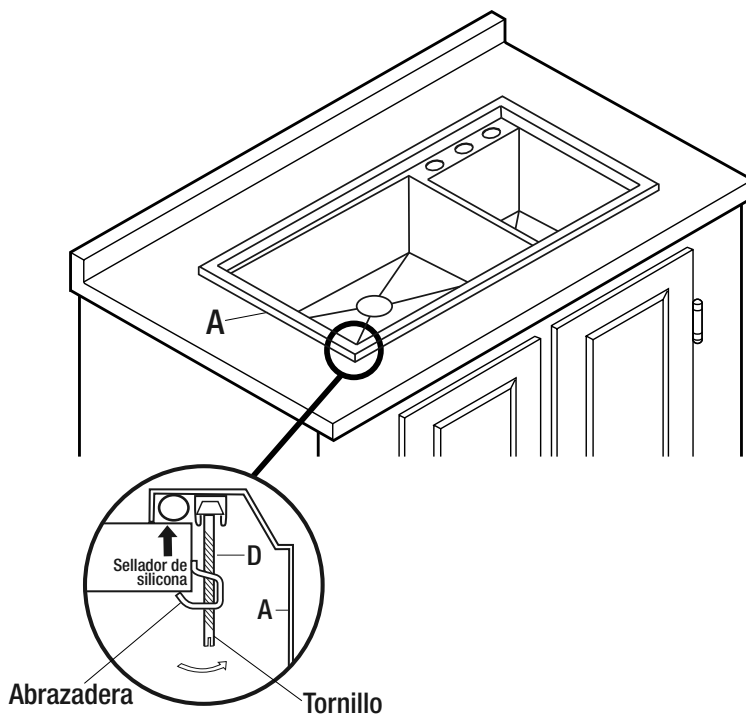
Montaje inferior

CÓMO INSTALAR EL FREGADERO

NOTA :

Antes de este paso, instale el grifo de acuerdo con las instrucciones del fabricante. Antes de completar este paso, instale el escurridor Vanishing edge™ siguiendo las instrucciones. Consulte la página 23.

- Aplique sellador de silicona (no incluido) alrededor de la parte inferior de la brida del fregadero (A) en los cuatro lados, como se muestra más abajo.
- Instale las presillas de montaje superficial (D) en los canales para presillas del fregadero (A), como se muestra en las siguientes ilustraciones.
- Baje con cuidado el fregadero (A) hasta la encimera, procurando que las presillas de montaje superficial (D) no interfieran con los bordes de la encimera.
- Ajuste cada una de las presillas de montaje superficial (D) a lo largo de los rieles, para que queden espaciadas de modo uniforme alrededor del fregadero (A).
- Gire las abrazaderas de las presillas de montaje superficial (D) de modo que encastran en la encimera y ajuste los tornillos progresivamente (consulte la secuencia de ajuste que se muestra más abajo) hasta que la brida del fregadero quede nivelada con la encimera. A medida que ajusta, controle la alineación, para que el frente del fregadero (A) quede paralelo al frente de la encimera. Si es necesario, realice modificaciones y vuelva a ajustar. No ajuste más de lo necesario.
- Limpie cualquier exceso de sellador con un trapo y deje que se seque, antes de continuar con el resto de la instalación.



Secuencia de ajuste de las presillas

ENSAMBLAJE DE LOS TUBOS DE ABASTECIMIENTO DE AGUA (NO SUMINISTRADOS)

Las líneas de abastecimiento, que conectan el grifo al suministro de agua de la casa, no vienen incluidos con esta unidad. Se compran por separado. Siga las instrucciones del fabricante para instalar las líneas de abastecimiento de manera adecuada.

Instalación (continuación)

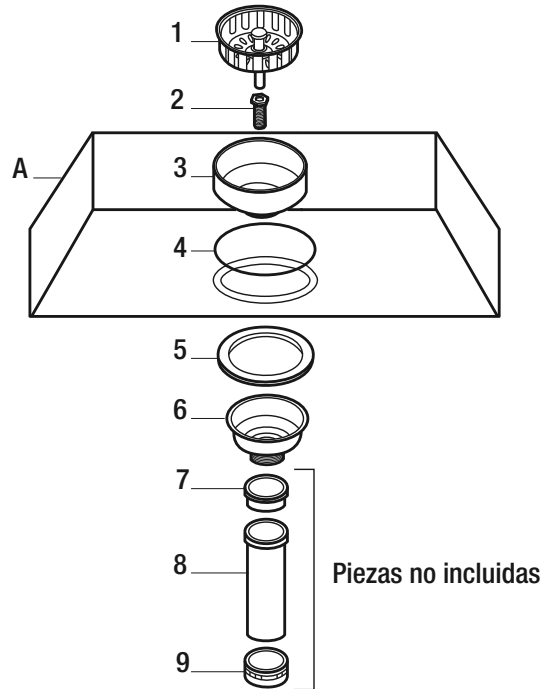
CÓMO INSTALAR EL COLADOR

NOTA:

Si va a instalar un triturador de basura (no suministrado), no instale el colador. Pase a la sección siguiente, incluido con este artículo está el adaptador de Conglom Kitchen & Bath. Éste reemplazará el borde de el triturador de basura.

Instalar el triturador de basura con las instrucciones del fabricante para la sustitución de la brida con el adaptador.

- Aplique una pequeña cantidad de masilla para fontanería (no incluida) en la muesca alrededor del orificio de drenaje del fregadero (A).
- Conecte el armazón superior del escurridor (3) y el aro del escurridor (4), e introdúzcalos en el orificio de drenaje desde la parte superior del fregadero (A).
- Conecte la junta del escurridor (5) y el armazón inferior del escurridor (6), e introdúzcalos en el orificio de drenaje desde la parte inferior del fregadero (A).
- Introduzca el tornillo para escurridor (2) por el conjunto en su totalidad, desde el armazón superior (3) hasta el armazón inferior del escurridor (6). Ajustelo con un destornillador Phillips.
- Conecte la brida plástica (7) y el tubo de cola (8), y enrosque la tuerca de conexión (9) por el tubo de cola y la brida hasta el armazón inferior del escurridor (6). Trabe la tuerca de conexión manualmente.



NOTA:

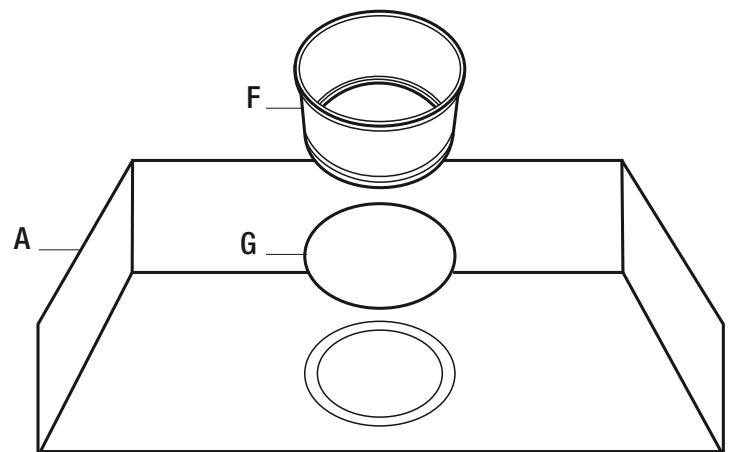
La brida plástica (7), el tubo de cola (8) y la tuerca de conexión (9) no se suministran.

CÓMO INSTALAR EL TRITURADOR DE BASURA

NOTA:

Si instala un triturador de basura (no suministrado), no instale el colador en el fregadero. El adaptador (F) está diseñado para utilizarse con las bridas metálicas de montaje del triturador de basura.

- Para instalar un triturador de basura, coloque el empaquetadura de goma (G) alrededor de la saliente inferior del adaptador (F).
- Introduzca el adaptador (F) en la salida el drenaje del fregadero (A).
- Instale el triturador de basura en el adaptador (F) de acuerdo con las instrucciones de instalación del fabricante del triturador de basura.



Cuidado y limpieza

Este fregadero se fabricó con acero inoxidable de la mejor calidad y podrá disfrutarlo muchos años siempre y cuando lo cuide y mantenga adecuadamente.

Hacer

- Después de cada uso lave el fregadero con el agua del grifo para diluir y quitar cualquier depósito.
- Cuando pueda, seque el fregadero con una toalla para evitar que se formen marcas de agua. En caso de que se formen, límpielas con una solución de vinagre y agua, y luego enjuague minuciosamente.
- Utilice jabón líquido, limpiador doméstico multiusos o una solución de vinagre y agua para limpieza regular.
- Use únicamente esponjas plásticas recomendadas para uso en fregaderos de acero inoxidable, y solo úselas en la cubeta del fregadero. Restriegue en el sentido de las líneas de acabado satinado.

No Hacer

- Evite que se seque o se deposite cualquier residuo de comida, detergente, jabón, grasa o condimentos por un período prolongado en la superficie del fregadero.
- Nunca utilice productos abrasivos, ya que opacarán y rayarán el acabado.
- No utilice esponjas en el exterior del fregadero, ya que opacarán el acabado de espejo.
- Nunca utilice esponjas de lana de acero, ya que dejarán partículas de acero en el fregadero y lo corroerán.
- Nunca deje cacerolas de acero o hierro fundido en el fregadero por períodos prolongados, ya que esto puede provocar corrosión.
- Nunca utilice limpiadores a base de cloro en su lavabo nuevo, ya que podrían provocar manchas de óxido o de decoloración. Si debe utilizarlos, enjuague bien el lavabo con agua limpia inmediatamente después de su uso. Si algún producto químico o pegamento entrara en contacto con el lavabo durante su instalación, límpielo y enjuáguelo bien con agua limpia.

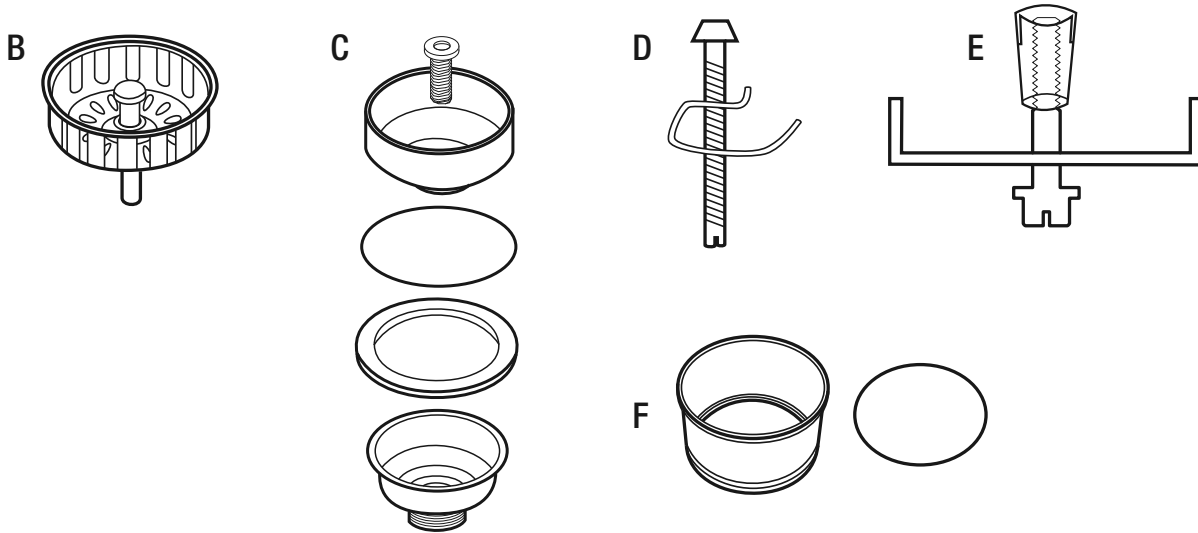
ELIMINAR LOS RAYONES, LAS MANCHAS Y LAS MARCAS, Y RENOVAR LA SUPERFICIE

Las pequeñas marcas y manchas de óxido que con frecuencia aparecen en el lavabo son resultado, por lo general, de la interacción entre el acero y los productos químicos que se encuentran en la gran variedad de sustancias a las que los lavabos están expuestos comúnmente. También es posible que esas sustancias se transfieran al lavabo desde otros objetos colocados o dejados en él. Los rayones son ocasionados por el uso y el desgaste normales.

Para eliminar los rayones, las manchas y las marcas del lavabo, tállelos con una fibra no metálica (p. ej., Scotch-Brite®) junto con un limpiador ligeramente abrasivo (p. ej., Barkeeper's Friend®). Siempre talle las superficies en la dirección de la veta del acero. Al terminar, enjuague el lavabo con agua y séquelo con una toalla, para permitir que se forme en él una capa protectora exterior. El mismo procedimiento puede usarse para renovar todas las superficies del lavabo.

Piezas de repuesto

Si requiere de una pieza faltante o de repuesto, por favor contacte: 1-855-HD-GLACIER, 8 a 19 horas, hora del este, lunes a viernes, 9:00 a.m. - 6:00 p.m., hora del este, sábado. Identifique la(s) parte(s) requerida(s) y tenga el número(s) de pieza a la mano.



Pieza	Descripción	Código	Cantidad
B	Colador sin bridas	QHS113	2
C	Conjunto de colador	QHS155	2
D	Presillas de montaje superficial	QHS108	10
E	Presillas de montaje inferior	QHS109	10
F	Armazón del escurridor	QHS112	1



Questions, problems, missing parts?
¿Preguntas, problemas, piezas faltantes?

Before returning to the store, call Customer Service,
8:00 am - 7:00 pm, EST, Monday - Friday, 9:00 am - 6:00 pm, EST, Saturday
Antes de devolver el producto a la tienda, llame al Servicio al cliente
8 a 19 horas, hora del este, lunes a viernes, 9:00 a.m. - 6:00 p.m., hora del este, sábado

1-855-HD-GLACIER

[HOMEDEPOT.COM/GLACIERBAY](https://www.homedepot.com/glacierbay)

Retain this manual for future use.
Conserve este manual para usarlo en el futuro.

Made in China
Hecho en China