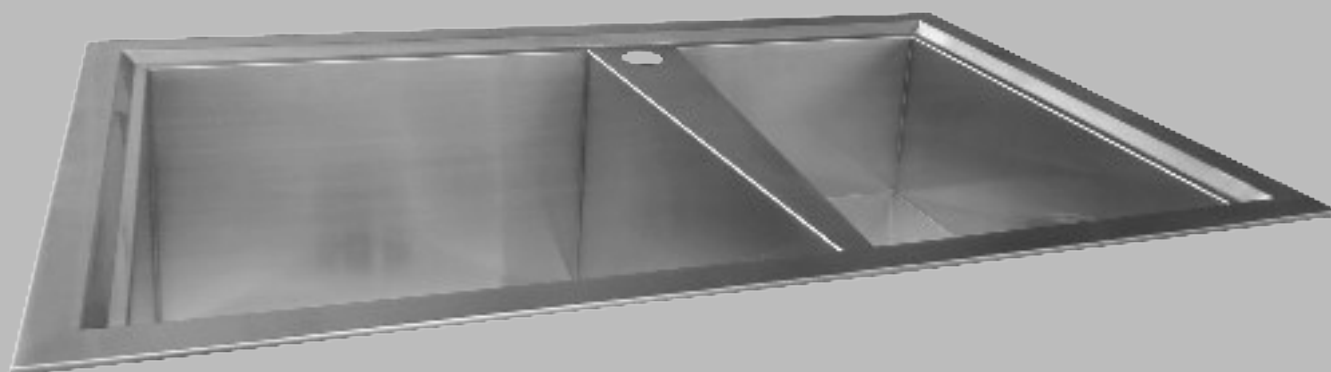


PRESENZA
ITALIA

**STAINLESS STEEL
OFFSET DOUBLE
BOWL SINK**



**INSTALLATION GUIDE
AND USER MANUAL**

Model No. QK031

Table of Contents

Table of Contents	2	Installation	
Safety Information	2	Undermount	6
Warranty		Topmount	9
One-Year Limited Warranty	3	Installing the Vanishing Edge™ Strainer	11
Warranty Claim Procedure	3	Installing the Bottom Grid	11
Pre-Installation		Care and Cleaning	12
Planning Installation	4	Service Parts	13
Tools Required	4		
Parts Required	4		
Package Contents	5		

Safety Information

READ AND SAVE THESE INSTRUCTIONS

1. Inspect your unit before proceeding. Once you unpack your unit, check for chips, scratches, cracks, dents or scuff marks. If any damage is noticed, do not install.
2. Use this unit only in the manner intended by the manufacturer. If you have any questions, contact the manufacturer.
3. Installation work and plumbing must be done by qualified person(s) in accordance with all applicable codes and standards.
4. Protect the entire surface during installation.



CAUTION: Always wear safety goggles and gloves during installation to prevent personal injury.

ONE-YEAR LIMITED WARRANTY

A thorough inspection must be made before installation and any damage must be promptly reported. We will not be liable for failures or damage that could have been discovered or avoided by proper inspection and testing prior to installation.

Conglom Kitchen & Bath warrants this product to be free from defects in materials or workmanship for one (1) year from the date of purchase. Proof of purchase (original sales receipt) from the original consumer purchaser must be made available to Conglom Kitchen & Bath for all warranty claims.

This warranty is non-transferable and shall be voided if the unit is removed from its initial installation or if it is not installed following the manufacturer's instructions. It does not apply in the event of product damage due to the use of other than genuine Conglom Kitchen & Bath replacement parts, (Replacement parts may be obtained by e-mail at customer.service@conglomkb.com or by calling 1-877-333-0098 between 8:30 am - 5:00 pm EST) installation error, abuse, misuse or improper care and maintenance (whether performed by a plumber, contractor, service provider or member of the purchaser's household). The warranty excludes damage due to aggressive air or water conditions, harsh or abrasive cleaners and/or materials.

Under no circumstance shall we be held liable for personal injury or property damage resulting from improper installation or use of this product. We will not be held liable for inconvenience caused by loss of use of this product, costs incurred for labour or materials, removal and installation of replacement units, or any other incidental or consequential damages. Costs relating to obtaining access for repair or replacement are the responsibility of the user.

Our obligation shall be limited to the repair or replacement of a unit (at our discretion) that may prove, by our sole examination, to be defective under normal use and service during the warranty period.

Any failure of this product that is not traceable to a defect in material or workmanship is not covered by this warranty. These non-warrantable items include, but are not limited to:

- Improper installation not in accordance with manufacturer's instructions.
- Dents and/or scratches incurred during shipping, handling, or installation.
- Change in colour or finish due to chemical usage.
- Damage caused by failure to follow care and cleaning guidelines, including damage caused by the use of abrasive cleaners.
- Alterations made to the unit by the purchaser or installer.
- Damage caused by accidental impact, fire, flood, freezing, and normal wear.
- Bends and warping caused by forced connections, over-tightened fittings, and inadequate support during installation.

This warranty does not extend to commercial and institutional installation or use.

WARRANTY CLAIM PROCEDURE

If a claimable defect occurs or replacement parts are needed, please contact our customer service team at customer.service@conglomkb.com or 1-877-333-0098 (8:30 am - 5 pm, EST, Monday - Friday).

Before you make your call, please ensure that you have:

- Model number or description.
- Proof of sale.
- Details regarding the defect and/or part number.
- Name(s) and address(es) of the owner and/or installer.

Pre-Installation

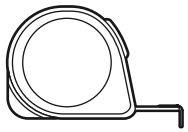
PLANNING INSTALLATION

Inspect your unit before proceeding. Check the surface for any flaws or damage, including dents, bends, bumps, or scuff marks. If any damage is noticed, do not proceed with installation. Please return the unit to place of purchase for an exchange. If there are any missing parts, please contact the manufacturer for replacements.

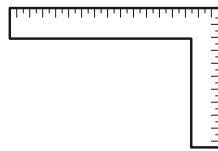
You may choose to install this sink either undermount (from below the counter) or topmount (from above the counter). You must install this sink only in a counter at least 36 in. (914 mm) wide with a solid surface that has a minimum thickness of at least 3/4 in. (19 mm).

Protect the entire surface of the product during installation to prevent damage.

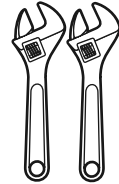
TOOLS/MATERIALS REQUIRED



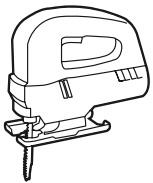
Measuring tape



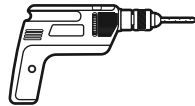
Carpenter's square



Wrenches (2)



Saber-saw or Jig-saw



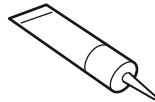
Electric drill with 3/8 in. (10 mm) drill bit and 1 in. (25.4 mm) or 3 in. (76.2 mm) hole saw



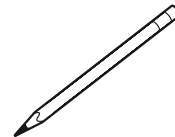
Pipe wrench



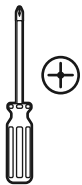
Plumber's putty



Silicone sealant



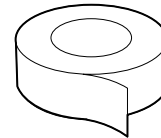
Pencil



Phillips screwdriver



Hacksaw



Teflon tape



Safety gloves



Safety goggles

PARTS REQUIRED (NOT INLCUDED)

NOTE:

Parts not shown to actual size.



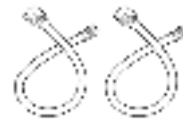
Plastic flange (2)



Tail pipe (2)



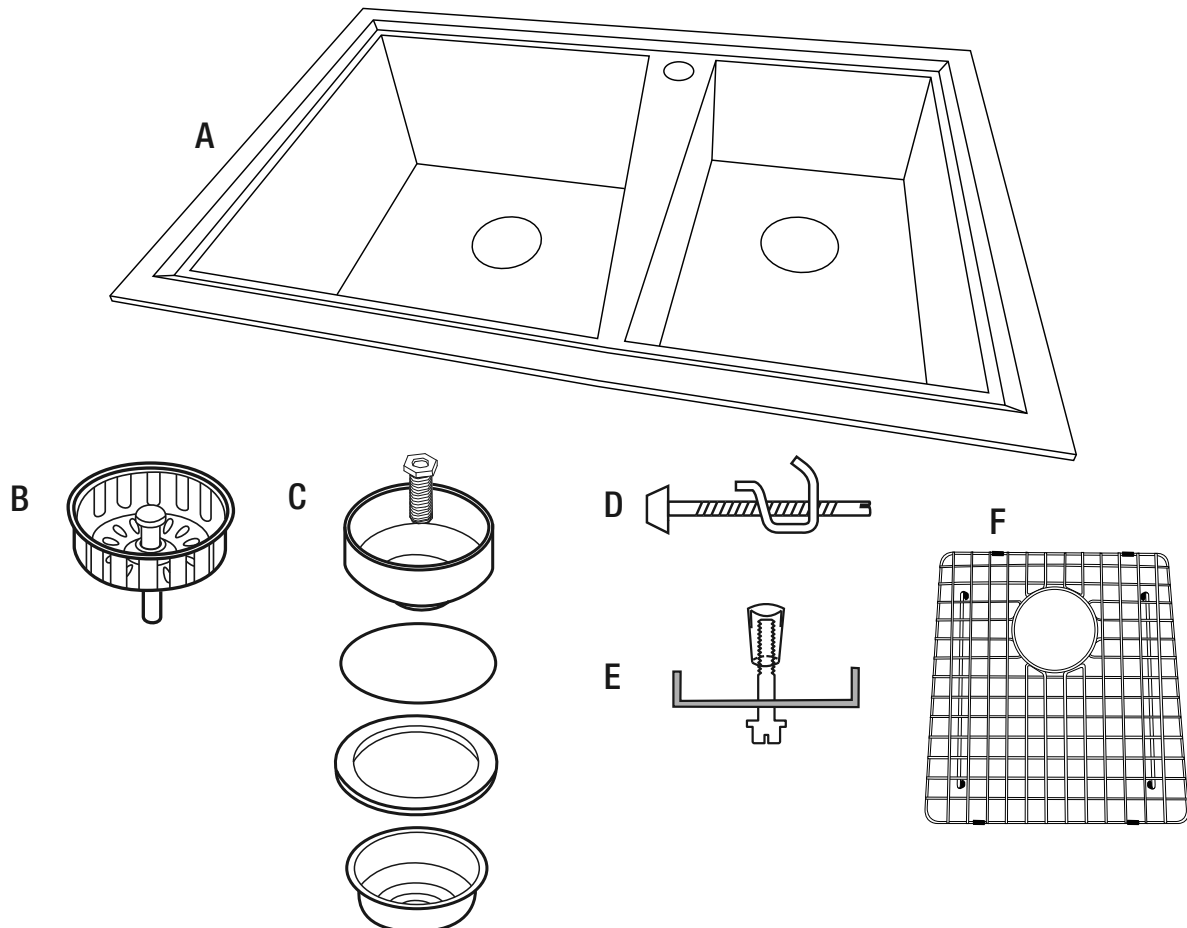
Connecting nut (2)



Supply lines (2)

Pre-Installation (continued)

PACKAGE CONTENTS



Part	Description	Quantity
A	Stainless steel sink	1
B	Vanishing edge™ strainer	2
C	Strainer assembly	2
D	Topmount clamps	10
E	Undermount clamps	10
F	Bottom grid	1

Installation

UNDERMOUNT INSTALLATION

CREATING THE TEMPLATE

NOTE:

Undermount sinks are mounted from below the counter. If you are installing a topmount or “drop-in” sink, please see “topmount installation” on page 9.

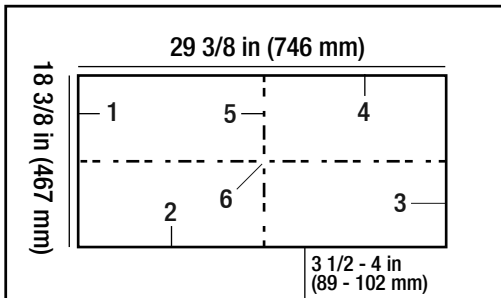
It is highly recommended that undermounting be performed by a professional installer. Improper installation will void the warranty.

- Using a carpenter’s square, draw a line (5) from front to back on the bottom of the counter to indicate the location of the center of the sink.
- Draw a line (2) parallel to the front edge of the counter to indicate how far back the sink should be located from the front of the counter (7). Typical setback is 3 1/2 - 4 in. (89 mm - 102 mm) from the front of the counter, depending on the cabinet structure, the counter overhang, the type of sink bowl, and the deck size.
- On a piece of cardboard or paper, draw a rectangle of the same size as the hole that you will cut-out to accommodate the sink. As this sink is 31.5 in. x 20.5 in. (800 mm x 521 mm), we recommend that you use a template size of 29 3/8 in. x 18 3/8 in. (746 mm x 467 mm) with square corners.

NOTE:

The flat mating surface of the sink that will touch the underside of your counter is 1 1/16 in. (27 mm) wide on all four sides.

- Mark the center point (6) of the sink on the template.
- Cut the template out of the piece of cardboard or paper.

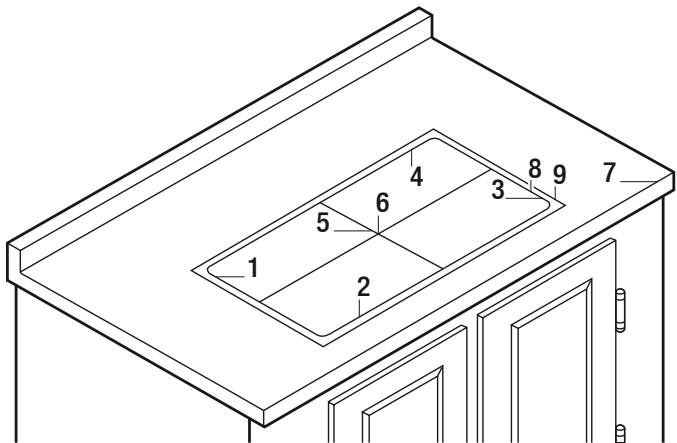


CUTTING THE COUNTER



CAUTION: Always wear safety goggles and gloves when using power tools to prevent personal injury.

- Place the template (8) on the counter with its front (2) parallel to the front of the counter (7). Ensure that it is placed so that the sink will clear all objects and the mounting hardware can be installed. Make sure there is a minimum of 3 in. (76.2 mm) of space underneath on all four sides for the undermount clips (E).
- Place a line of tape (9) around the template, and trace the template onto the tape with a pencil.
- Double check the location of the cut line before removing the template.
- Use a saber-saw or jig-saw to cut along the cut line. Place a support underneath the cut-out portion of the counter to prevent it from falling during cutting.



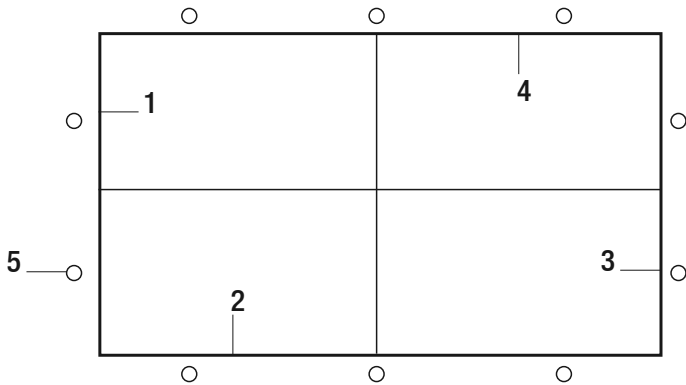
Installation (continued)

DRILLING THE HOLES FOR THE UNDERMOUNT CLIPS



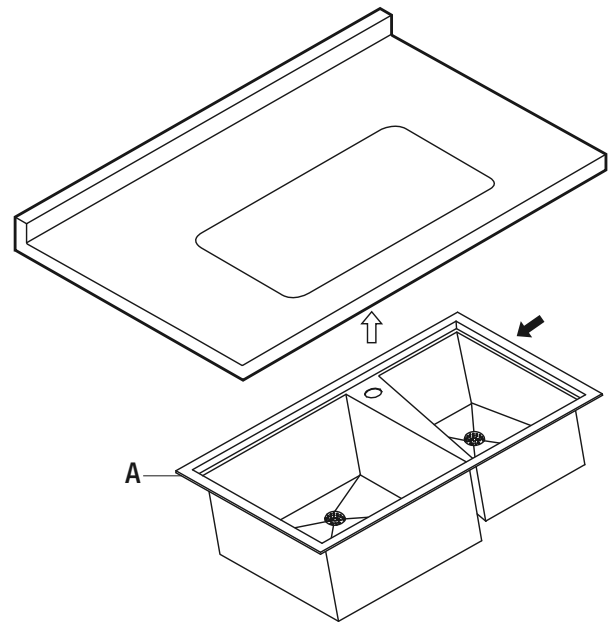
CAUTION: Always wear safety goggles and gloves when using power tools to prevent personal injury.

- On the underside of the counter, mark the location of the ten holes (5) for the undermount clips (E). These holes should be equally spaced around the perimeter of the cut-out with three on each side 2 and 4 and two on each side 1 and 3. They should be set back from the cut-out opening by 1 1/2 in. (38 mm).
- Using an electric drill with a 3/8 in. (10 mm) drill bit, drill each hole so that it is 3/8 in. (10 mm) in diameter and 5/8 in. (15.8 mm) deep.



TESTING THE FIT OF THE SINK

- Place the sink (A) underneath the cut-out in the counter to test its fit. Ensure that the reveal is equal on all four sides when viewed from above. Make adjustments to the cut-out if necessary.
- When you are satisfied with the location of the sink (A), mark the location of the edge of the counter cut-out on at least two sides of the lip of the sink.



Installation (continued)

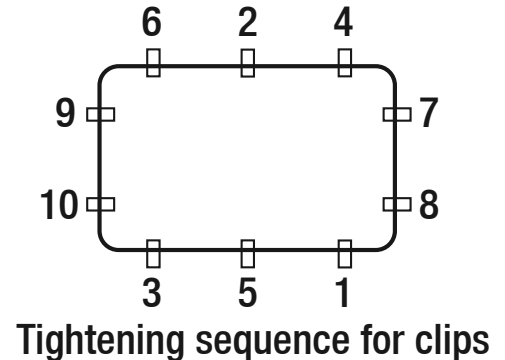
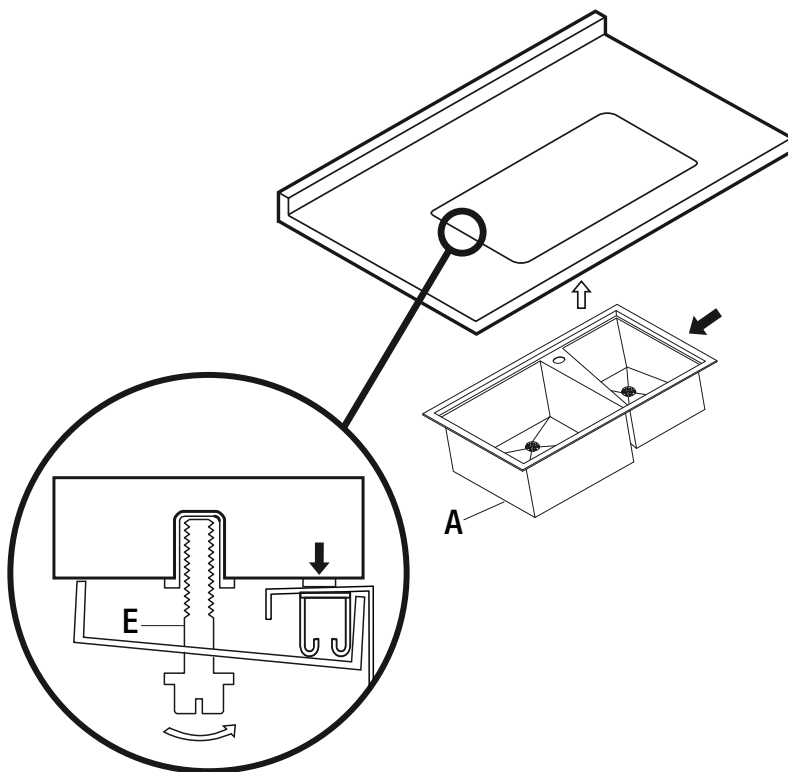
INSTALLING THE SINK

NOTE:

Install the faucet according to the manufacturer's instructions before this step.

Install the vanishing edge™ strainer according to the instructions before completing this step. See page 11.

- Put the threaded inserts on the bolts of the undermount clips (E) loosely in the holes that you drilled for them in the underside of the counter. Ensure that the clamps of the undermount clips (E) are turned so that they do not interfere with the placement of the sink.
- Place a small bead of silicone sealant (not included) around the upper lip of the sink (A).
- Carefully place the sink (A) into its location under the counter, lining up the pencil marks on the lip of the sink that you made when you tested the fit of the sink.
- Carefully rotate the clamps of the undermount clips (E) over the clamp bar on the sink (A) and gently tighten the bolts (see tightening sequence) of the undermount clips (E), working from side to side to fasten the sink (A) firmly. Recheck the alignment visually from above.
- Wipe away any excess silicone and, for best results, allow the bond to rest undisturbed for 8 hours or overnight.
- Install the counter as directed by the manufacturer and install all other plumbing as required.



SUPPLY LINES (NOT INCLUDED)

The supply lines, which connect the faucet to the household water system, are not supplied with this unit. They need to be purchased separately. Follow the supply line manufacturer's instructions for proper installation.

Installation (continued)

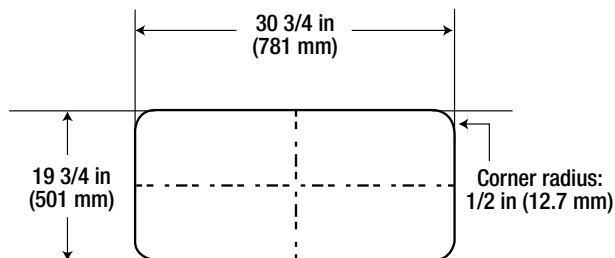
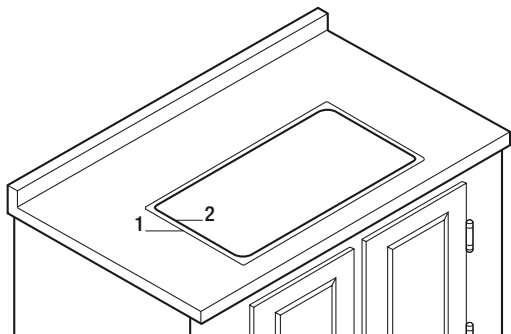
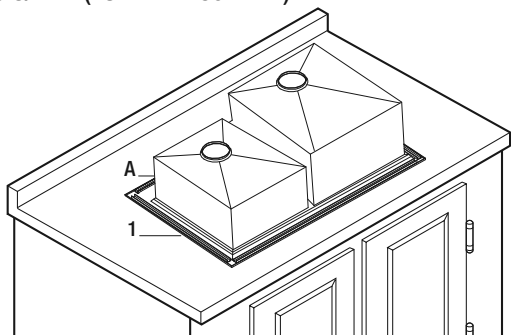
TOPMOUNT INSTALLATION

CREATING THE TEMPLATE

NOTE:

Topmount sinks are dropped into the counter from above. If you are installing an undermount sink, please see "undermount installation" on page 6.

- Place the sink (A) upside down on the counter. Center the sink (A) on the counter so that it is parallel to the front of the counter, ensuring that it will not interfere with the inside structure of the cabinet or the counter. It must clear the overhang of the counter and the front inside face of the cabinet. Trace the outline of the sink (A) with a pencil.
- Draw a new line (2) 3/8 in. (9.5 mm) inside the first line (1). This will be the cut line. As this sink is 31.5 in. x 20.5 in. (800 mm x 521 mm), the cut line should be 30 3/4 in. x 19 3/4 in. (781 mm x 501 mm).

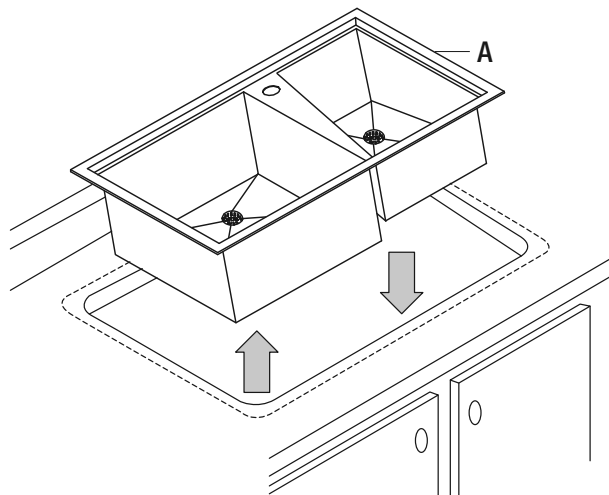
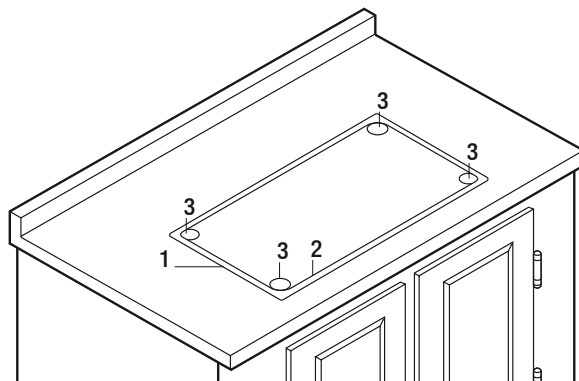


CUTTING THE COUNTER



CAUTION: Always wear safety goggles and gloves when using power tools to prevent personal injury.

- Using an electric drill with a 1 in. (25.4 mm) hole saw, carefully drill four holes (3) inside the cut line.
- Use a saber-saw or jig-saw to cut along the cut line (2). Place a support underneath the cut-out portion of the counter to prevent it from falling during cutting.
- Insert the sink (A) into the cut-out in the counter to test the fit. Make adjustments to the cut-out, if necessary.



Installation (continued)

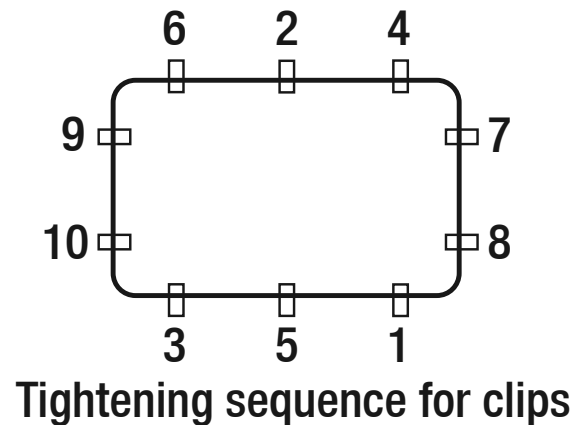
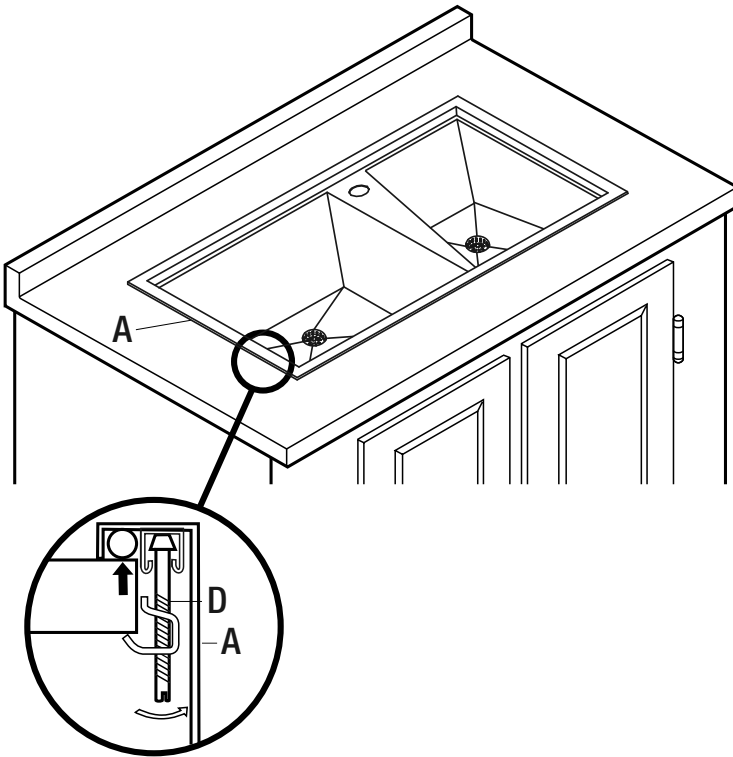
INSTALLING THE SINK

NOTE:

Install the faucet according to the manufacturer's instructions before this step.

Install the vanishing edge™ strainer according to the instructions before completing this step. See page 11.

- Apply silicone sealant (not included) around the underside of the lip of the sink (A) on all four sides.
- Carefully lower the sink (A) into the counter, ensuring that the factory installed topmount clips (D) do not catch on the counter edges.
- Slide each topmount clip (D) along the rails so that they are evenly spaced around the sink (A).
- Swing the clamps on the topmount clips (D), and tighten the screws progressively (see tightening sequence below) until the sink rim is flush with the counter. Check the alignment as you tighten so that the front of the sink (A) is parallel to the front of the counter. Adjust and re-tighten if necessary. Do not over tighten.
- Wipe away any excess sealant with a rag.



SUPPLY LINES (NOT INCLUDED)

The supply lines, which connect the faucet to the household water system, are not supplied with this unit. They need to be purchased separately. Follow the supply line manufacturer's instructions for proper installation.

Installation (continued)

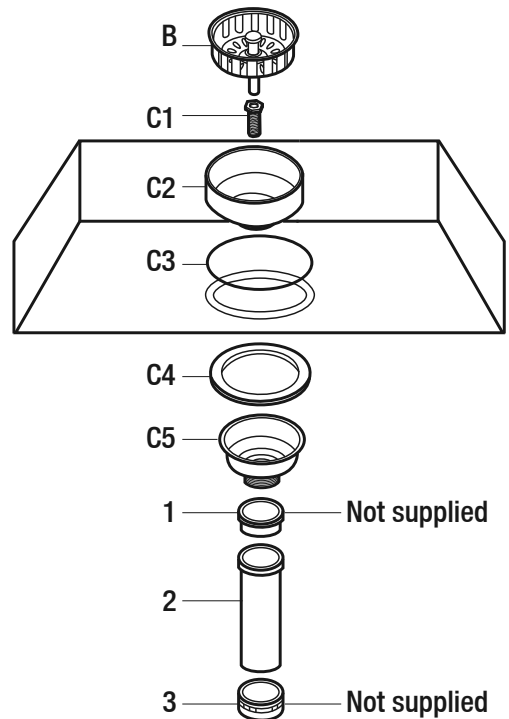
INSTALLING THE VANISHING EDGE™ STRAINER

NOTE:

If you are installing a garbage disposer (not supplied), do not install the strainer. You will need to purchase from Conglom Kitchen & Bath, an adaptor. This will replace the flange from your garbage disposer.

Install the garbage disposer according to the manufacturer's installation instructions replacing the flange for the adaptor.

- Apply a small amount of plumber's putty (not included) in the notch around the drain hole of the sink.
- Connect the upper strainer body (C2) and the strainer ring (C3), and insert them into the drain hole from the top of the sink.
- Connect the strainer gasket (C4) and lower strainer body (C5), and insert them into the drain hole from underneath the sink.
- Insert the strainer screw (C1) through the entire assembly, from the upper strainer body (C2) to the lower strainer body (C5). Tighten with a Phillips screwdriver.
- Connect the plastic flange (1) and tail pipe (2), and thread the connecting nut (3) through the tail pipe and flange up to the lower strainer body (D5). Lock the connecting nut by hand.

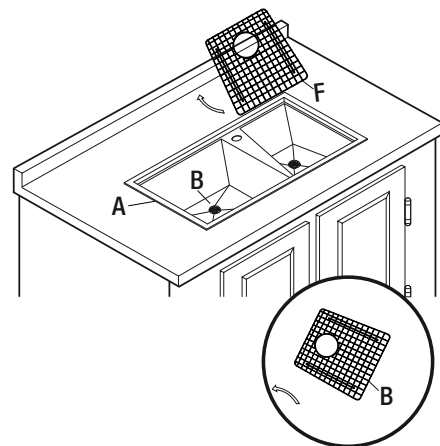


NOTE:

The plastic flange (1), tail pipe (2), and connecting nut (3) are not supplied.

INSTALLING THE BOTTOM GRID

- Ensure that the vanishing edge™ strainer basket (B) is already in the sink (A) before placing the bottom grid (F).
- The bottom grid (F) must be positioned with its rubber supports down. Tilt the grid up so it is at a slight angle, slide it into the sink (A), and place it so that it is sitting flat on the bottom of the sink.



Care and Cleaning

Your sink is manufactured with the highest grade stainless steel and will provide you many years of enjoyment with the proper care.

Do

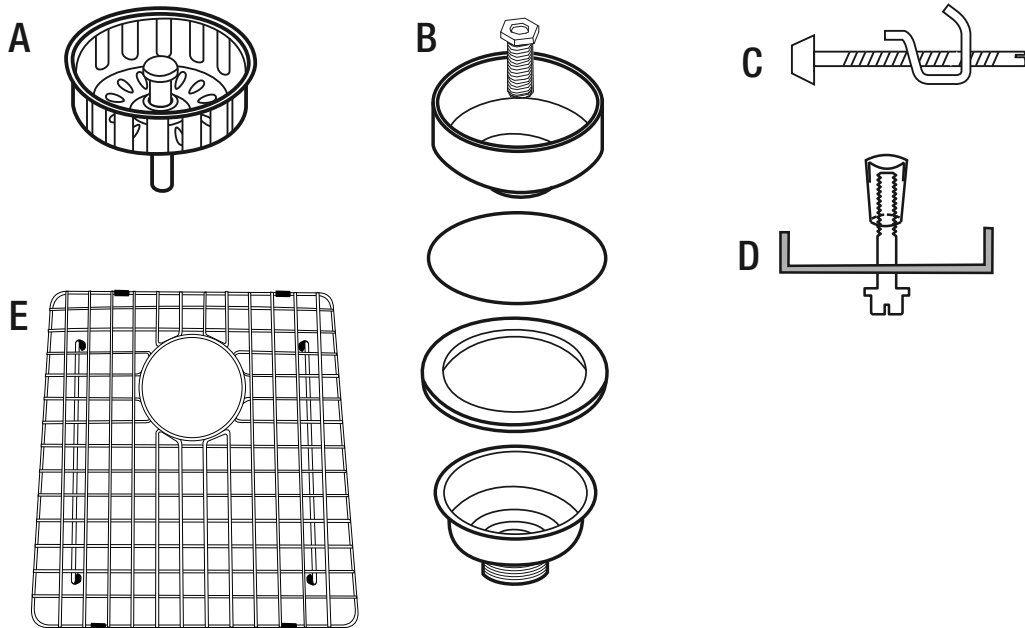
- After use, always rinse your sink with tap water to dilute and remove deposits.
- Towel dry the sink after use whenever possible to prevent water spots. Should water spots occur, clean with a mild solution of vinegar and water followed by a thorough rinse.
- Use liquid soap, a general household cleaner, or a weak solution of vinegar and water for regular cleaning.
- Only use plastic scouring pads recommended for use in stainless steel sinks, and only use them in the bowl of the sink. Scrub in the direction of the grain (original polish lines).

Do Not

- Do not allow any food, detergent, soap or grease to dry or sit for extended periods of time on the surface of the sink.
- Never use abrasive cleaning products, as they will dull and scratch the finish.
- Do not use scouring pads on the deck, as they will dull the mirror finish.
- Never use steel wool pads, as they will leave iron particles on the sink, which will cause corrosion.
- Never leave steel or cast iron pans in your sink for extended periods of time, as this can cause corrosion.

Service Parts

If you are missing parts or if you require replacement parts, please call our customer service team at customer.service@conglomkb.com or 1-877-333-0098, 8:30 am - 5 pm, EST Monday - Friday. Identify the required part(s) and have the part number(s) ready.



Part	Description	Code	Quantity
A	Vanishing edge™ strainer	QHS113	2
B	Strainer assembly	QHS155	2
C	Topmount clip	QHS138	10
D	Undermount clip	QHS109	10
E	Bottom grid	QHS172	1

Imported by:

Conglom
KITCHEN & BATH

St-Laurent, Québec, H4S 2C3
1-877-333-0098
customer.service@conglomkb.com
www.conglomkb.com

Made in China

